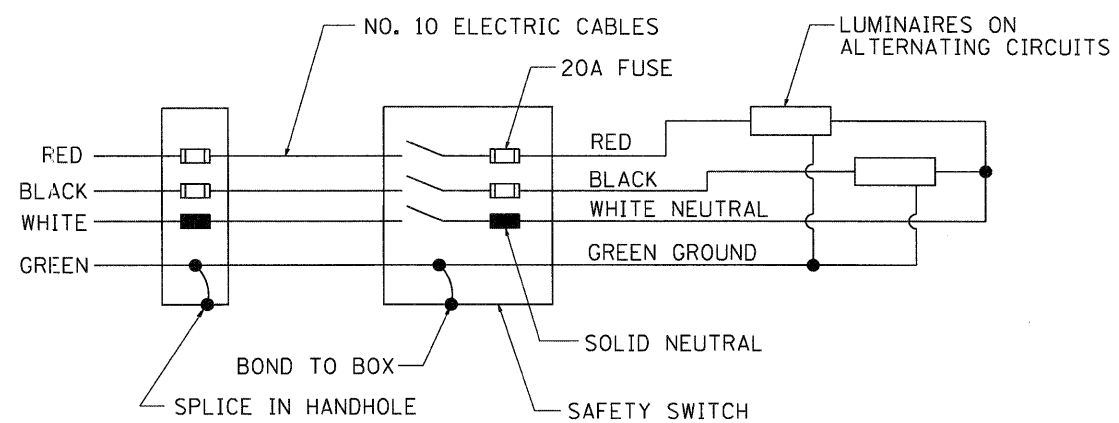
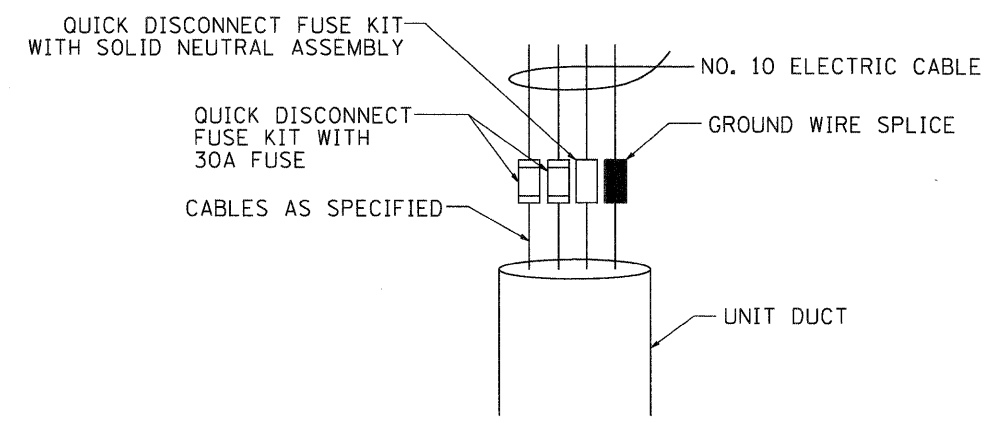


- NOTES:**
1. ALL DIMENSIONS ARE IN INCHES (MILLIMETERS) UNLESS OTHERWISE SHOWN
 2. ALL CONDUIT ATTACHED TO STRUCTURE SHALL BE GALVANIZED RIGID METALIC CONDUIT, PVC COATED (GRMC, PVC)
 3. THE USE OF LIQUID TIGHT METAL CONDUIT (TYPE LFMC) SHALL BE LIMITED TO LOCATIONS WHERE MOVEMENT IS ANTICIPATED AND SHALL NOT EXCEED 5' (1.5M) IN LENGTH
 4. ALL WORK INDICATED SHALL BE INCLUDED IN THE PAY ITEM FOR ELECTRIC CONNECTION TO SIGN STRUCTURE
 5. THE SAFETY SWITCH SHALL BE LOCATED ON THE SIDE OF THE SIGN STRUCTURE WHICH IS CLOSEST TO THE SHOULDER, OR EDGE OF PAVEMENT.



WIRING DIAGRAM



DETAIL A

INFORMATION ONLY

FILE NAME = W:\distatd\22x34\be601.dgn	USER NAME = geglienobt	DESIGNED -	REVISED - 08-19-04	STATE OF ILLINOIS DEPARTMENT OF TRANSPORTATION	ELECTRIC CONNECTION TO SIGN STRUCTURE CANTILEVER TYPE		F.A. -	SECTION	COUNTY	TOTAL	SHEET
	PLOT SCALE = 50.0000' / IN.	DRAWN -	REVISED -		80	2010-150-DTR	80	200	189		
PLOT DATE = 1/4/2008	DATE -	REVISED -	REVISED -	SCALE: NONE	SHEET NO. 1 OF 2 SHEETS	STA. TO STA.	FED. ROAD DIST. NO. 1 ILLINOIS FED. AID PROJECT				
							BE-601		CONTRACT NO. 60M64		