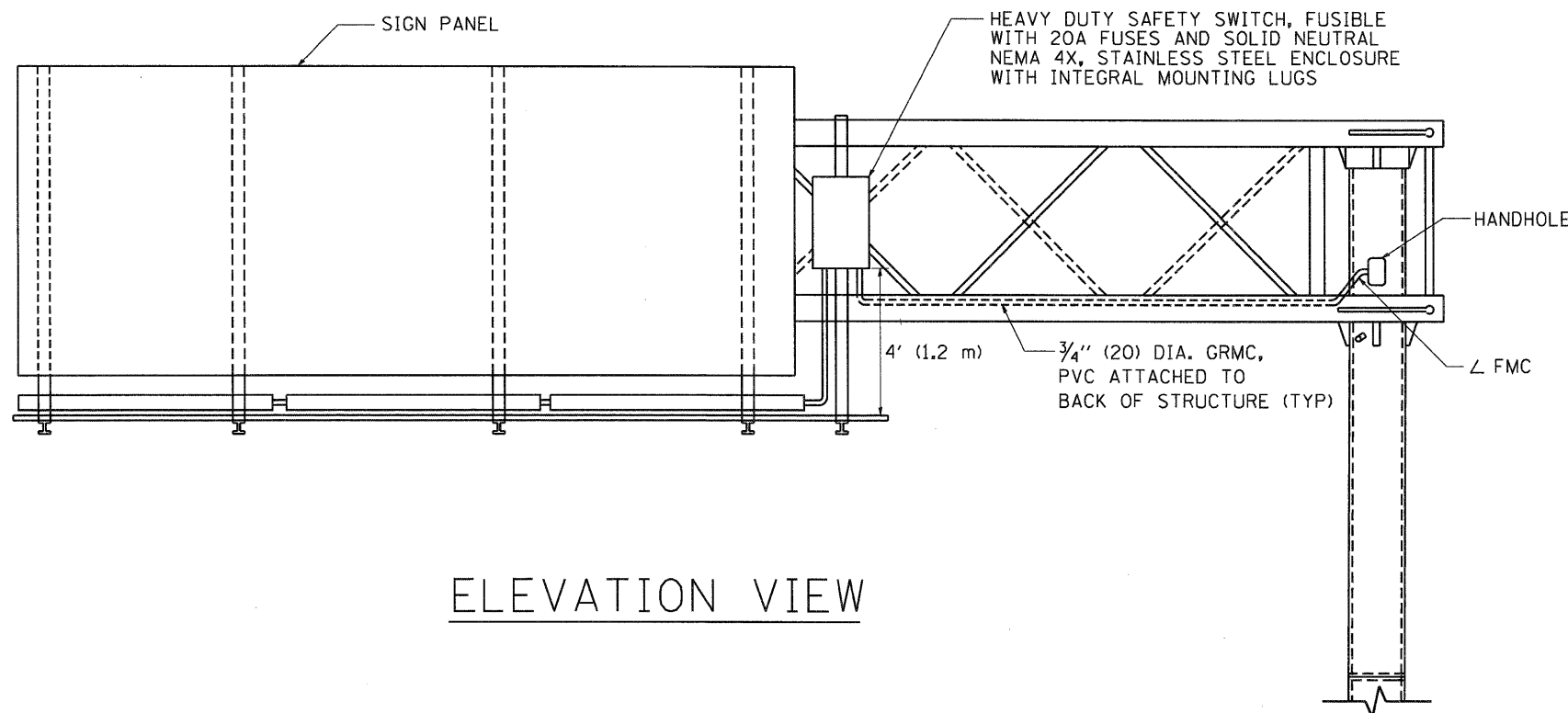
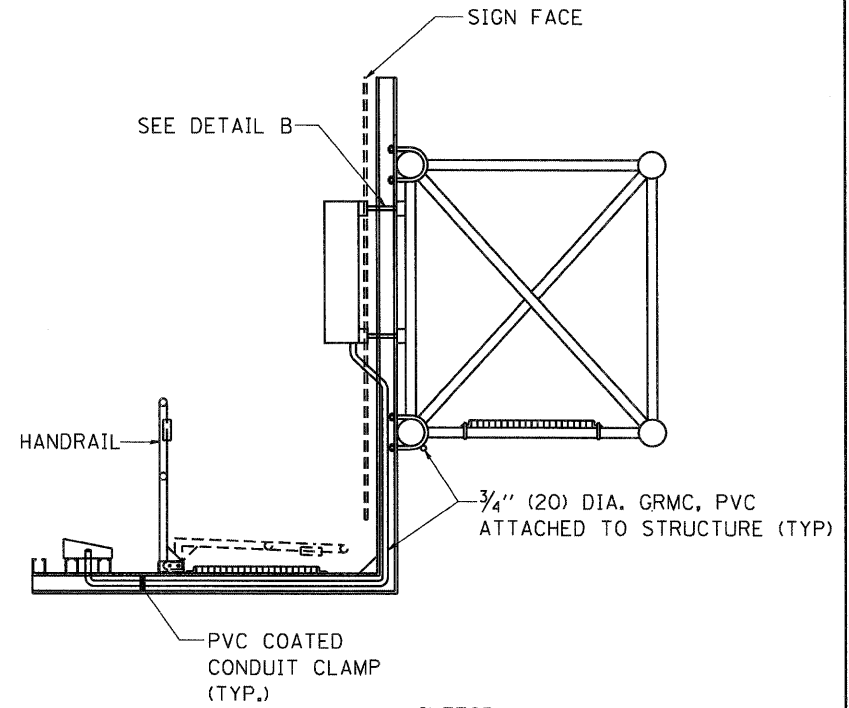
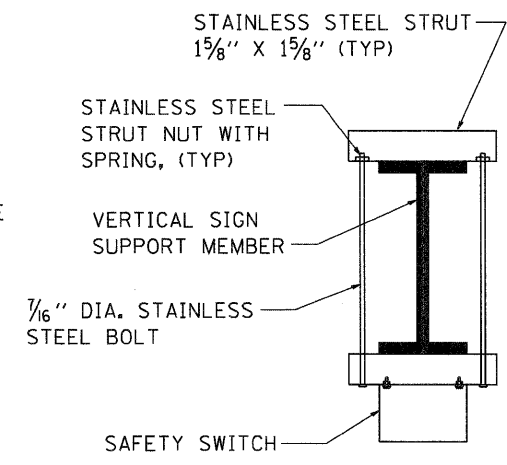


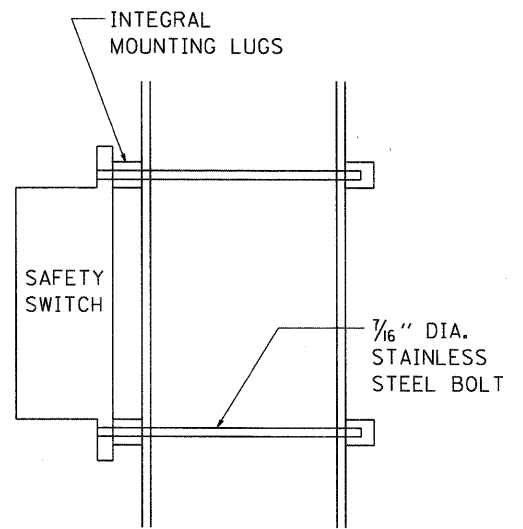
TOP VIEW



ELEVATION VIEW



TOP VIEW



SIDE VIEW

DETAIL B

INFORMATION ONLY

FILE NAME = W:\distetd\22x34\ce601.dgn	USER NAME = geg1enobt	DESIGNED -	REVISED - 08-19-04	STATE OF ILLINOIS DEPARTMENT OF TRANSPORTATION	ELECTRIC CONNECTION TO SIGN STRUCTURE CANTILEVER TYPE		F.A. RTE. 80	SECTION 2010-150-DTR	COUNTY 80	TOTAL SHEETS 200	SHEET NO. 190
	PLOT SCALE = 50.0000' / IN.	DRAWN -	REVISED -		SCALE: NONE	SHEET NO. 2 OF 2 SHEETS	STA.	TO STA.	BE-601	CONTRACT NO. 60M64	
	PLOT DATE = 1/4/2008	CHECKED -	REVISED -						FED. ROAD DIST. NO. 1 (ILLINOIS) FED. AID PROJECT		
		DATE -	REVISED -								