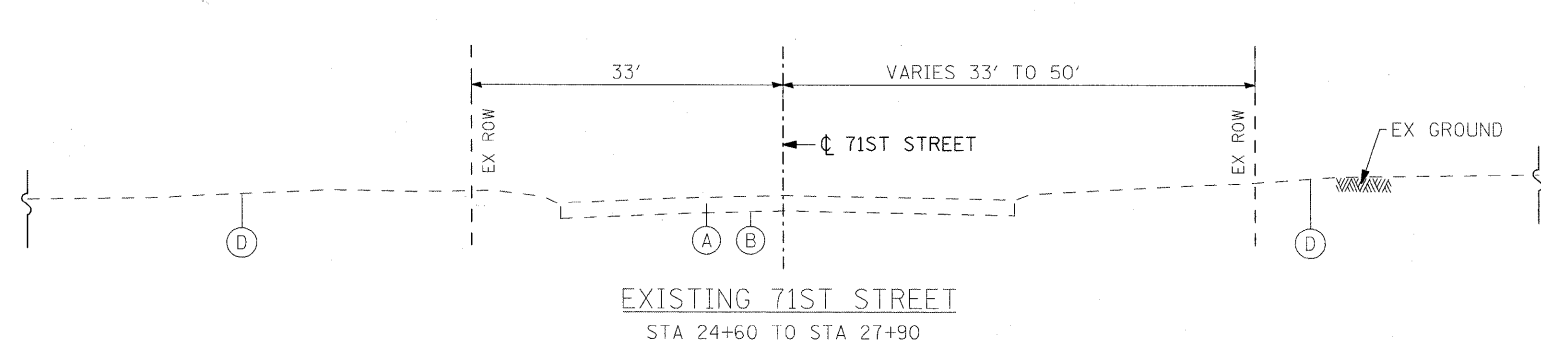


PROPOSED LEGEND:

- ① PORTLAND CEMENT CONCRETE PAVEMENT 10" (JOINTED) - (15' JOINT SPACING)
- ② STABILIZED SUBBASE - HOT-MIX ASPHALT, 4 1/2"
- ③ AGGREGATE SUBGRADE 12"
- ④ COMBINATION CURB AND GUTTER TYPE B-6.12
- ⑤ PORTLAND CEMENT CONCRETE SIDEWALK 5 INCH
- ⑥ TOPSOIL AND SODDING (SEE LANDSCAPING PLANS)
- ⑦ RETAINING WALL - SN 016-7722 OR SN 016-7724
- ⑧ RETAINING WALL - SN 016-7721 OR SN 016-7725 OR SN 016-7726
- ⑨ BITUMINOUS MATERIALS (PRIME COAT)
- ⑩ AGGREGATE (PRIME COAT)
- ⑪ #6 TIE BARS, 30" LONG AT 30" C-C (IF LONGITUDINAL SAWED JOINT) / #6 TIE BARS, 24" LONG AT 24" C-C (IF LONGITUDINAL CONSTRUCTION JOINT) (INCLUDED IN PRICE FOR BID FOR VARIOUS PCC ITEMS)
- ⑫ #6 TIE BARS, 24" LONG AT 24" C-C (INCLUDED IN PRICE FOR BID FOR VARIOUS PCC ITEMS)
- ⑬ PROPOSED LIGHTING UNIT

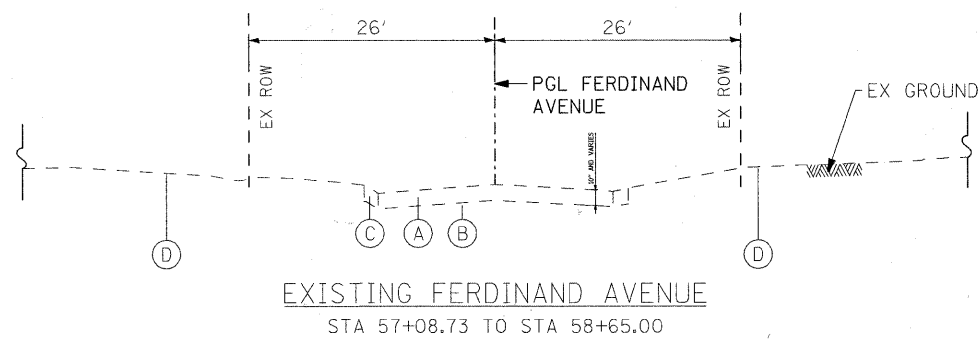
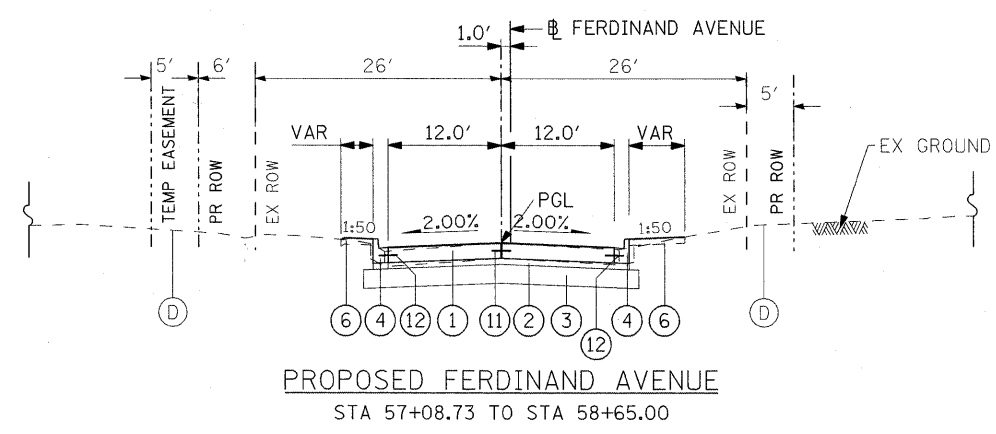
EXISTING LEGEND:

- Ⓐ EXISTING PAVEMENT (+10" CONCRETE - 71ST STREET; HMA FERDINAND)
- Ⓑ GRAVEL OR CRUSHED STONE BASE
- Ⓒ COMBINATION CURB & GUTTER
- Ⓓ EXISTING GROUND LINE



71ST STREET

STRUCTURAL DESIGN TRAFFIC:	YEAR	2030
PV= 5,040	SU= 659	MU= 237
ROAD/STREET CLASSIFICATION:	CLASS I	
PERCENT OF STRUCTURAL DESIGN TRAFFIC IN DESIGN LANE:		
P= 84.9%	S= 11.1%	M= 4.0%
TRAFFIC FACTOR:	ACTUAL TF= 2.35	AC TYPE= 20
	MINIMUM TF= NA	
PG GRADE:	BINDER= NA	SURFACE= NA
SUBGRADE SUPPORT RATING		
	SSR= FAIR	



FILE NAME = P:\60155877\000_CAD\001_Drawing\Sheets\Civil\60155877-ent\typical-92.dgn



USER NAME = manuj	DESIGNED = NJH	REVISED =
PLOT SCALE = 10,000' / 1" IN.	DRAWN = JWM	REVISED =
PLOT DATE = 1/19/2011	CHECKED = TJW	REVISED =
DATE = JANUARY 7, 2010	REVISED =	

**STATE OF ILLINOIS
 DEPARTMENT OF TRANSPORTATION**

TYPICAL SECTIONS

SCALE: 1"=10'	SHEET NO. 2 OF 3 SHEETS	STA. 17+08.73 TO STA. 19+76.00
---------------	-------------------------	--------------------------------

F.A.U. RTE.	SECTION	COUNTY	TOTAL SHEETS	SHEET NO.
1537	06-00050-00-GS	COOK	209	12
CONTRACT NO. 63556				
FED. ROAD DIST. NO. 1 ILLINOIS FED. AID PROJECT CRE-9003(709)				