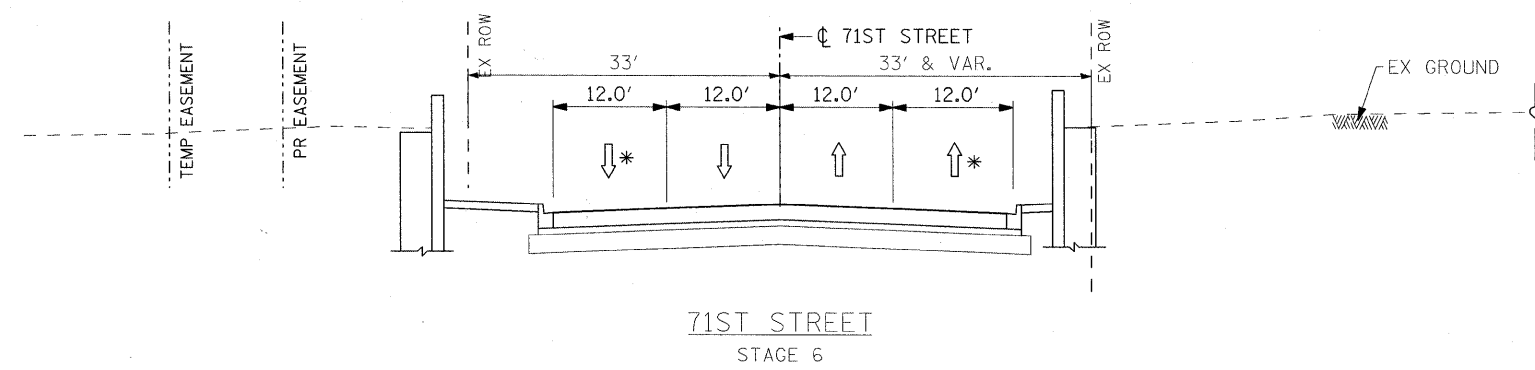


- LEGEND:**
- ① TEMPORARY CONCRETE BARRIER
  - ② DRUM WITH FLASHING LIGHT (10' C-C)

\* - LANE CLOSURE PERMITTED EXCEPT DURING STADIUM EVENTS SUBJECT TO THE APPROVAL OF THE ENGINEER

- NOTES:**
1. SEE SHEET NO. 26 FOR TRAFFIC CONTROL GENERAL NOTES.
  2. SECTIONS ARE LOOKING EAST.
  3. DURING STADIUM EVENTS, TRAFFIC WILL BE CONTROLLED BY THE VILLAGE OF BRIDGEVIEW POLICE DEPARTMENT.
  4. REFER TO STRUCTURAL STAGING DRAWINGS FOR JUMP SPAN LIMITS.



FILE NAME = P:\A60156977\200\_CAD\001.D - aranga\Shresta.Civil\620156977-arh-staging\10.dgn



USER NAME = marnj	DESIGNED - JWM	REVISED -
PLOT SCALE = 10.00' / IN.	DRAWN - JWM	REVISED -
PLOT DATE = 1/20/2011	CHECKED - TJW	REVISED -
	DATE - JANUARY 7, 2010	REVISED -

**STATE OF ILLINOIS  
DEPARTMENT OF TRANSPORTATION**

**CONSTRUCTION STAGING TYPICAL SECTIONS**

SCALE: 1"=10'    SHEET NO. 1 OF 1 SHEETS    STA. 15+50.00 TO STA. 30+75.00

F.A.U. RTE.	SECTION	COUNTY	TOTAL SHEETS	SHEET NO.
1537	06-00050-00-GS	COOK	209	30
CONTRACT NO. 63556			FED. ROAD DIST. NO. 1 [ILLINOIS] FED. AID PROJECT CRE-9003(709)	