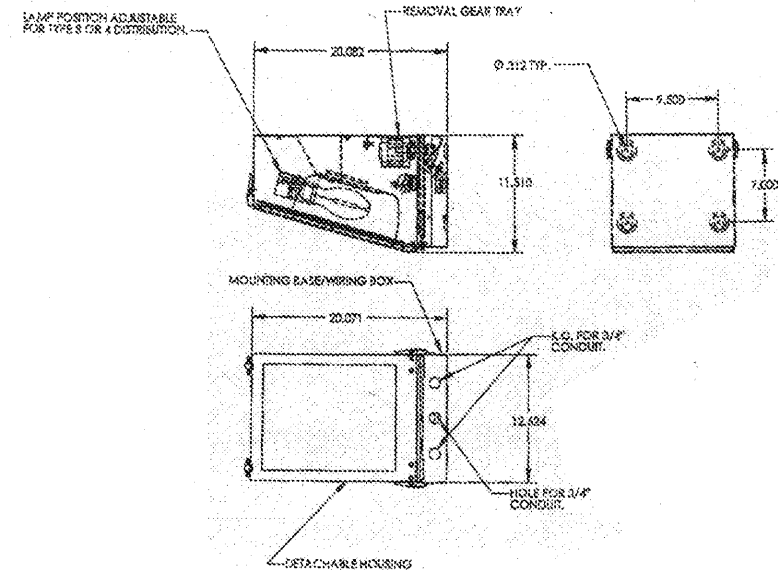
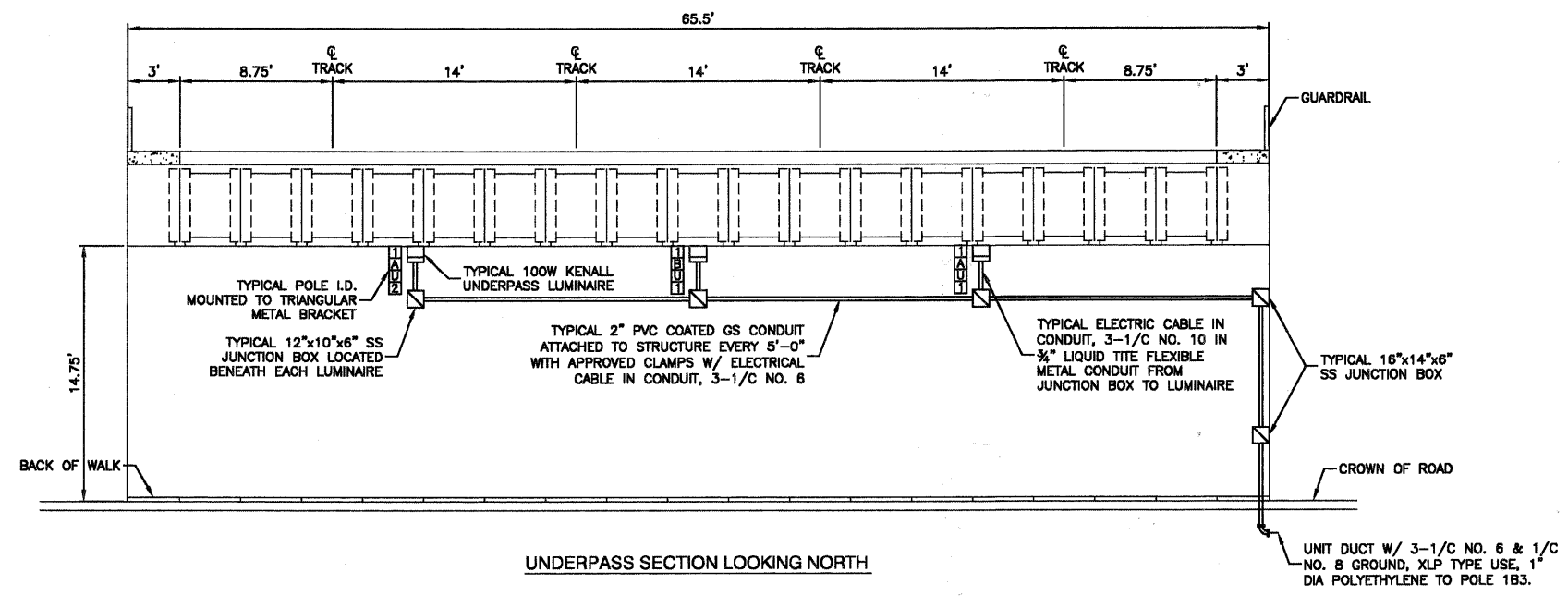


DATE	
BY	
PLAN	
DATE	
BY	
PROFILE	
DATE	
BY	
PLAN	
DATE	
BY	
PROFILE	
DATE	
BY	

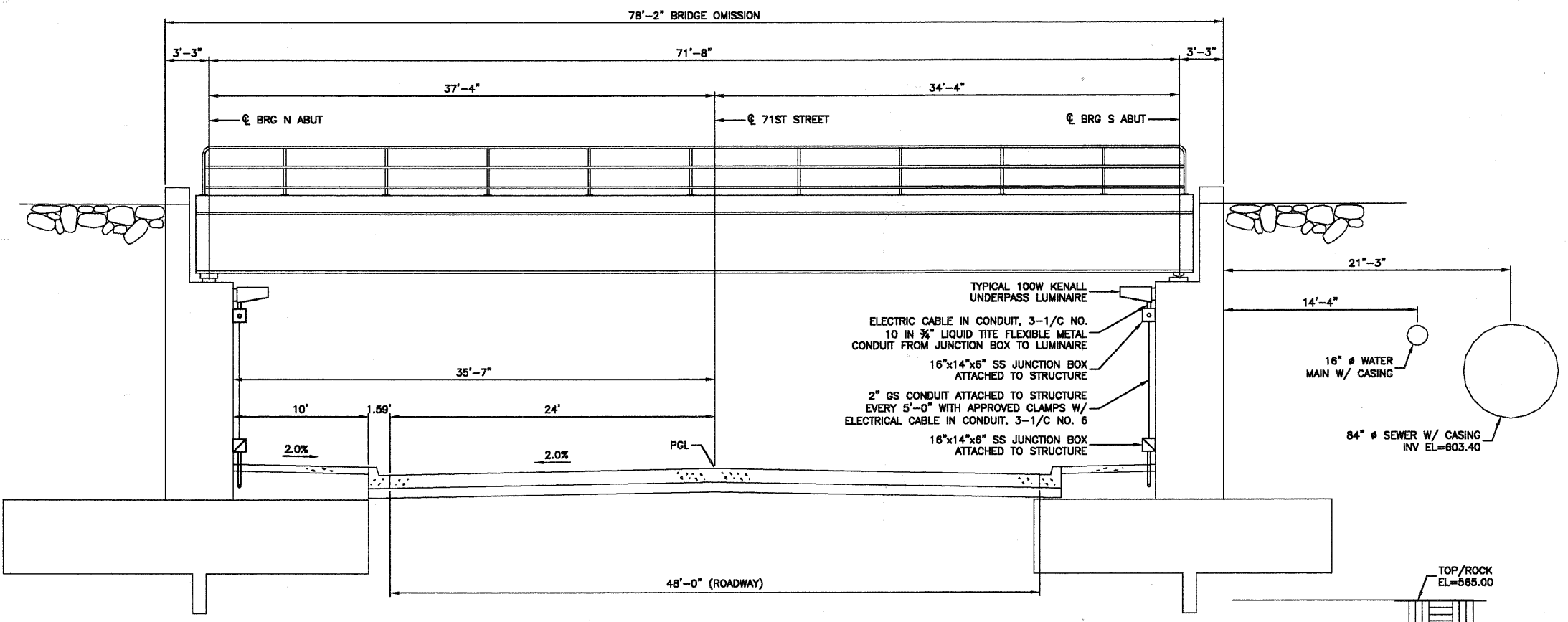
DATE	
BY	
PLAN	
DATE	
BY	
PROFILE	
DATE	
BY	
PLAN	
DATE	
BY	
PROFILE	
DATE	
BY	



KENALL UNDERPASS LUMINAIRE (OR APPROVED EQUAL)
100W HPS, MODEL NO. WFT 1221



UNDERPASS SECTION LOOKING NORTH



ELEVATION LOOKING EAST



FILE NAME = 0938-LGHT-02 - D01	USER NAME =	DESIGNED - PAP	REVISIONS -	STATE OF ILLINOIS DEPARTMENT OF TRANSPORTATION	71ST STREET		F.A.U. RTE.	SECTION	COUNTY	TOTAL SHEETS	SHEET NO.
	PLOT SCALE =	CHECKED - PKB	REVISIONS -		STREET LIGHTING UNDERPASS DETAILS		1537	06-00050-00-GS	COOK	209	82
	PLOT DATE = 12/23/10	DRAWN - RG	REVISIONS -		SCALE: NONE		SHEET NO. 82 OF 209 SHEETS		CONTRACT NO. 83556		
		CHECKED - AG	REVISIONS -		STA. TO STA.		FED. ROAD DIST. NO. 1		ILLINOIS		FED. AID PROJECT CRE-9003(709)