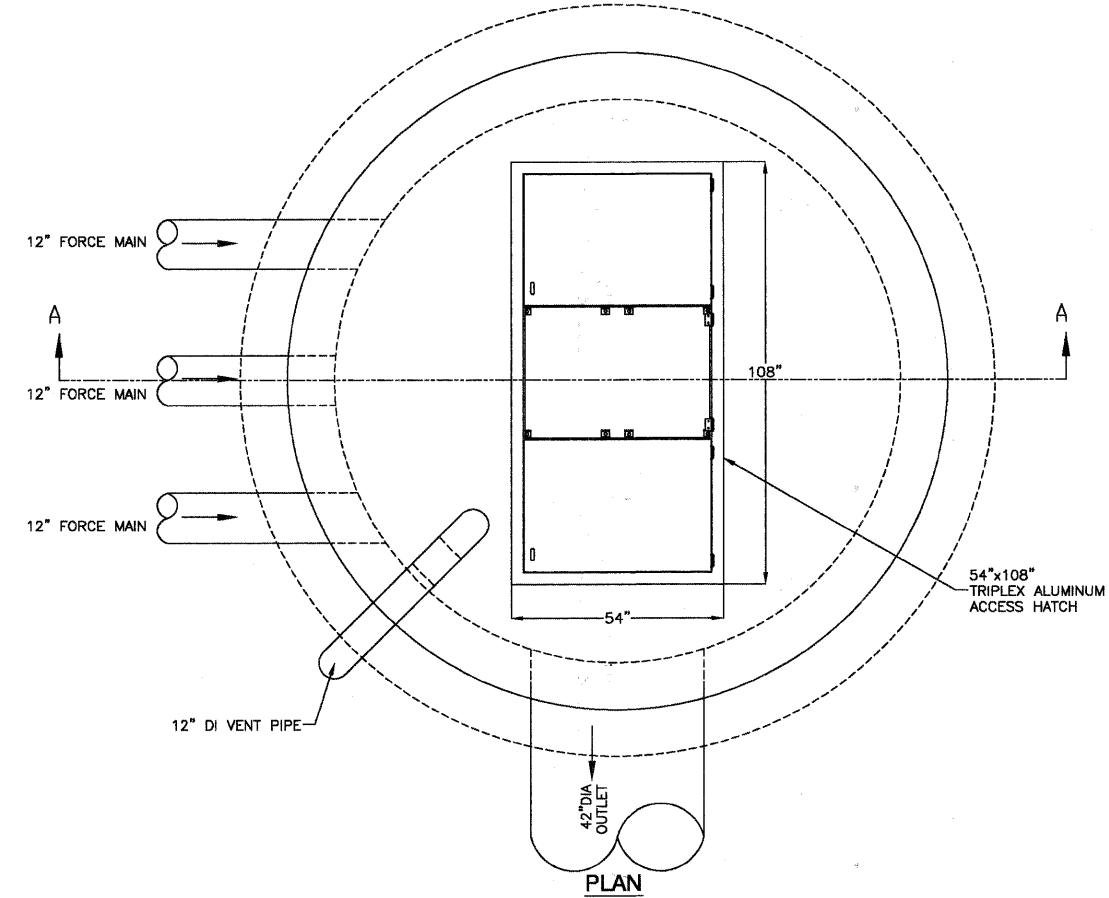
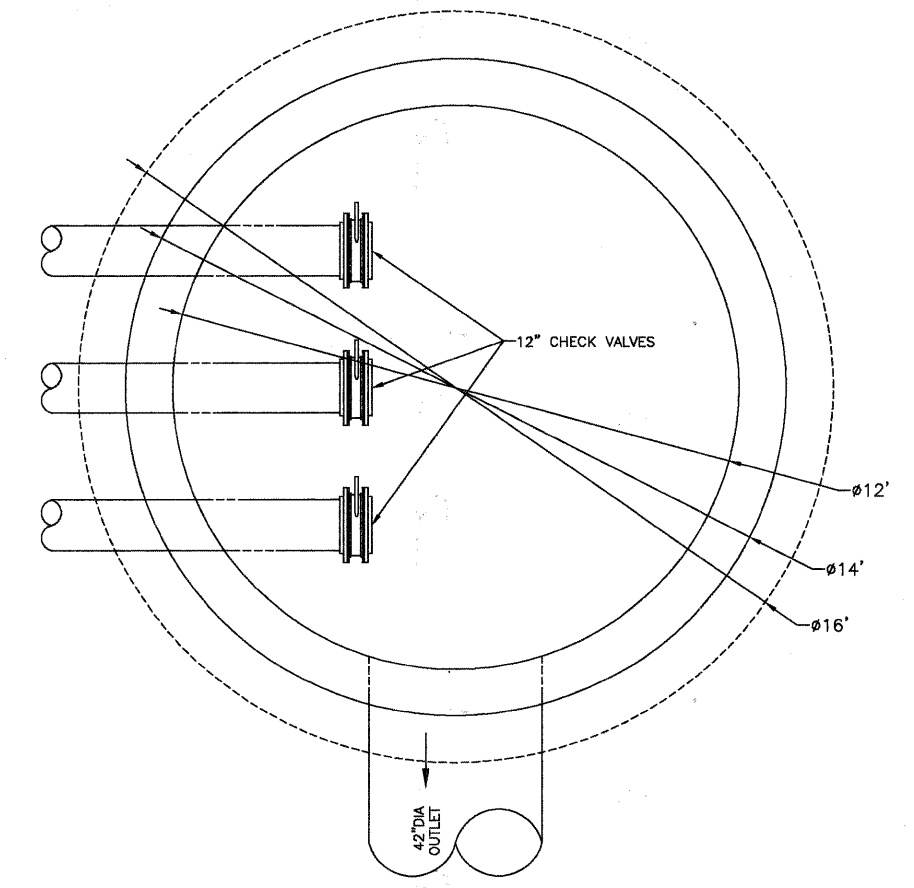


SECTION A-A



PLAN



SECTION B-B

FILE NAME = 08959_02-PLAN-05 - P01	USER NAME =	DESIGNED — PKB	REVISED —	STATE OF ILLINOIS DEPARTMENT OF TRANSPORTATION	71ST STREET		F.A.U. RTE.	SECTION	COUNTY	TOTAL SHEETS	SHEET NO.	
	PLOT SCALE =	DRAWN — ACAD	REVISED —		LIFT STATION DISCHARGE MANHOLE PLAN & ELEVATION		1537	06-00050-00-GS	COOK	209	91	
	PLOT DATE = 12/23/10	CHECKED — ACAD	REVISED —		SCALE: 1/2" = 1'		SHEET NO. 91 OF 209 SHEETS	STA.	TO STA.	CONTRACT NO. 63556		
									FED. ROAD DIST. NO. 1 ILLINOIS FED. AID PROJECT CRE-9003(709)			