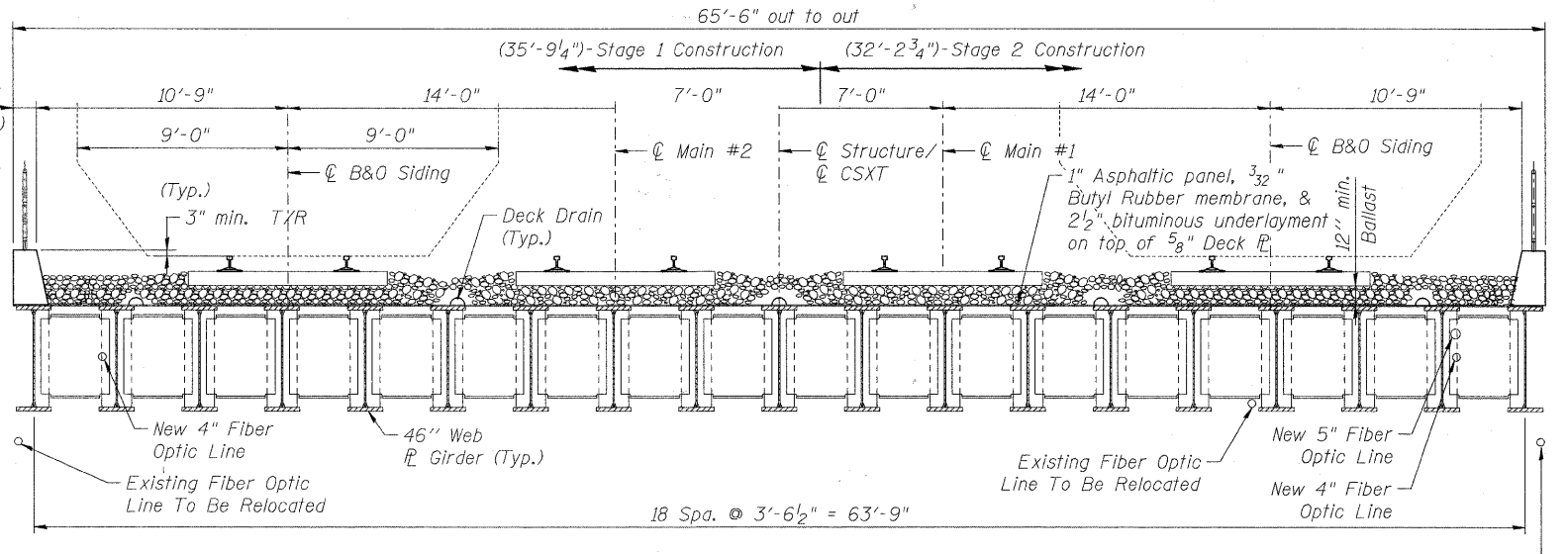
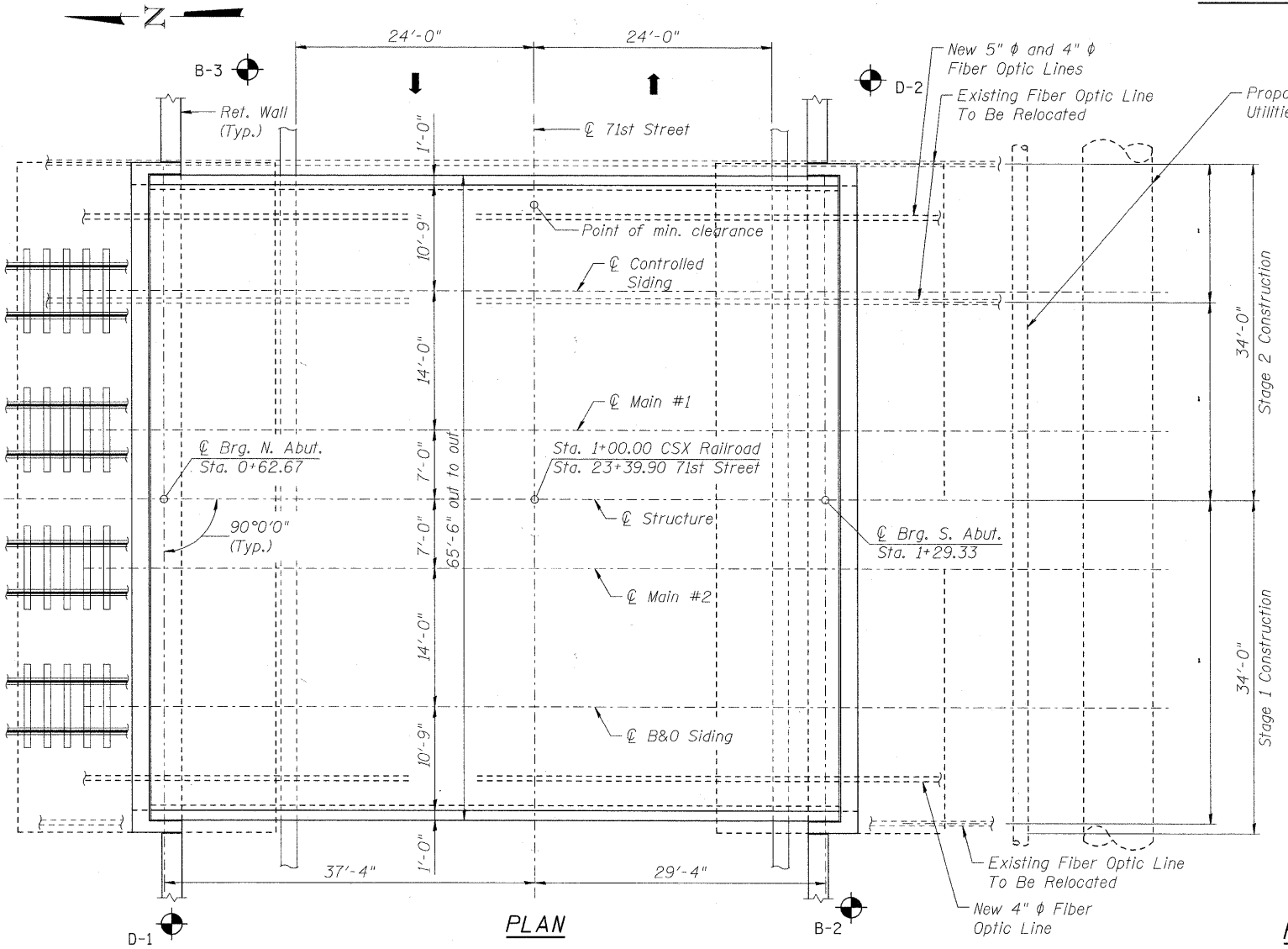


**ELEVATION**  
(Looking East)



**TYPICAL SECTION THRU SUPERSTRUCTURE**  
(Looking North)

Existing Fiber Optic Line To Be Relocated



**PLAN**

**BENCH MARK** BVW249 Square cut on north concrete base of RR signal mast arm base on south row of 71st Street, 1/2 mile west of Harlem Ave. Elev. = 620.57'. Existing Structure: None.

**DESIGN SPECIFICATIONS**

American Railway Engineering & Maintenance-of-Way Association (AREMA) Manual for Railway Engineering, 2009.

CSX Criteria for Ballast Deck Railroad Bridges, October 1, 1999.

2002 AASHTO - Standard Specifications for Highway Bridges

**DESIGN STRESSES**

**FIELD UNITS**  
 f'c = 3,500 psi (retaining walls)  
 f'c = 4,000 psi (substructure)  
 f'c = 5,000 psi (superstructure)  
 fy = 60,000 psi (reinforcement)  
 fy = 50,000 psi (struct.) (ASTM A709 Grade 50)

**PRECAST UNITS**

f'c = 5,000 psi

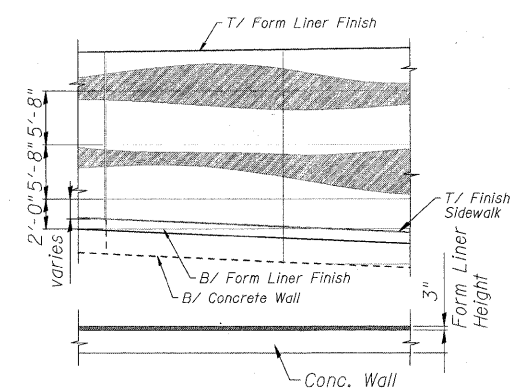
**LOADING**

Superstructure: Cooper E80 Live Load plus Impact for equipment without hammer blow.  
 Substructure: Cooper E90 Loading without Impact per AREMA.  
 Allow for future addition of 12" ballast.  
 Service Load Design

**SEISMIC DATA**

Seismic Performance Category (SPC) = A  
 Bedrock Acceleration Coefficient (A) = 0.04g  
 Soil Coefficient = 1.0

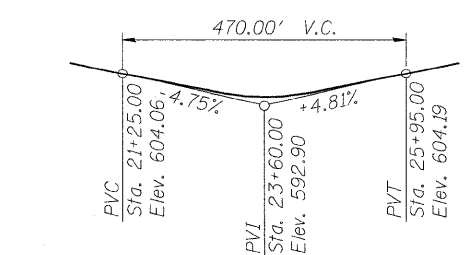
Railroad Crossing ID: 163 586 J  
 Milepost DIH: 26.00



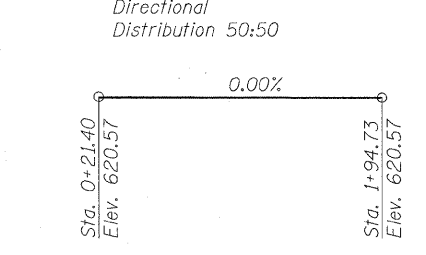
**TYPICAL DETAIL FOR FORM LINER**

**HIGHWAY CLASSIFICATION**

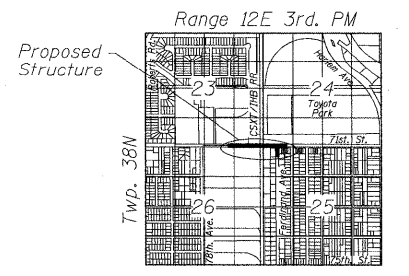
CSX Railroad	71st Street
Class: Railroad	Class: Local Street
	DHV: 735 (2030)
	ADT: 4,400 (2008)
	ADT: 7,000 (2030)
	ADTT: 1,100 (2030)
	Design speed: 40 mph
	Posted speed: 35 mph
	Two-Way Traffic
	Directional
	Distribution 50:50



**PROFILE GRADE - 71st STREET**



**TOP OF RAIL ELEV. - CSX R.R.**



**LOCATION SKETCH**



USER NAME = dabezicd	DESIGNED - BMR	REVISD -
PLOT SCALE = 1/4" = 1' IN.	DRAWN - COM	REVISD -
PLOT DATE = 1/21/2011	CHECKED - DD	REVISD -
	DATE - 11/23/2010	REVISD -

**STATE OF ILLINOIS**  
**DEPARTMENT OF TRANSPORTATION**

**GENERAL PLAN & ELEVATION**  
**STRUCTURE NO. 016-7721**

SCALE: SHEET NO. 1 OF 61 SHEETS STA. TO STA.

F.A.U. RTE. 1537	SECTION 06-00050-00-6S	COUNTY COOK	TOTAL SHEETS 209	SHEET NO. 95
CONTRACT NO. 63556			FED. ROAD DIST. NO. 1 ILLINOIS FED. AID PROJECT CRE-9003(709)	