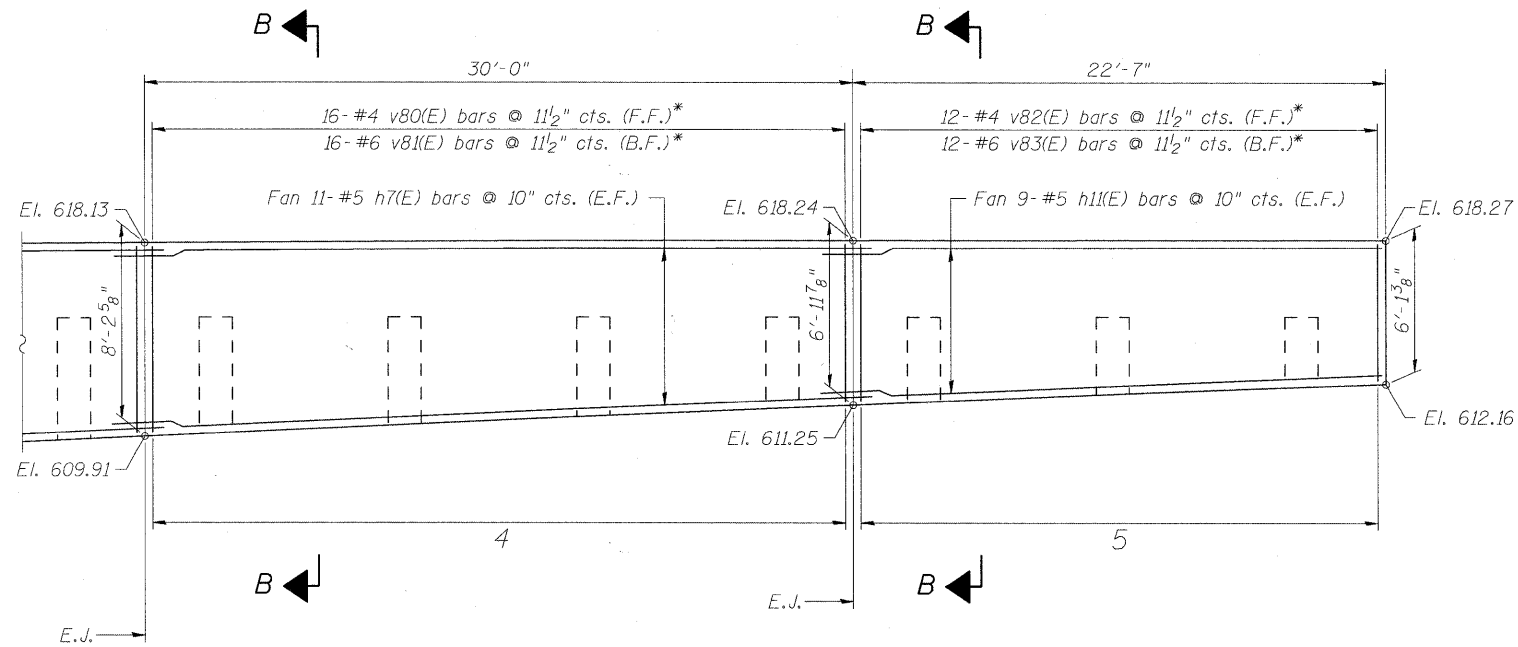


ELEVATION
Concrete Facing Panels 1-3
(Unfolded Elevation View)

* See Field Cutting Diagram

BILL OF MATERIAL

Bar	No.	Size	Length	Shape
h7(E)	90	#5	31'-7"	---
h11(E)	18	#5	24'-2"	---
v72(E)	16	#4	13'-10"	---
v73(E)	16	#6	13'-10"	---
v74(E)	13	#4	17'-0"	---
v75(E)	13	#6	17'-0"	---
v76(E)	5	#4	9'-3"	---
v77(E)	5	#6	9'-3"	---
v78(E)	16	#4	17'-0"	---
v79(E)	16	#6	17'-0"	---
v80(E)	16	#4	14'-6"	---
v81(E)	16	#6	14'-6"	---
v82(E)	12	#4	12'-4"	---
v83(E)	12	#6	12'-4"	---
Concrete Structures		Cu. Yd.	53	
Reinforcement Bars, Epoxy Coated		Pound	5,900	



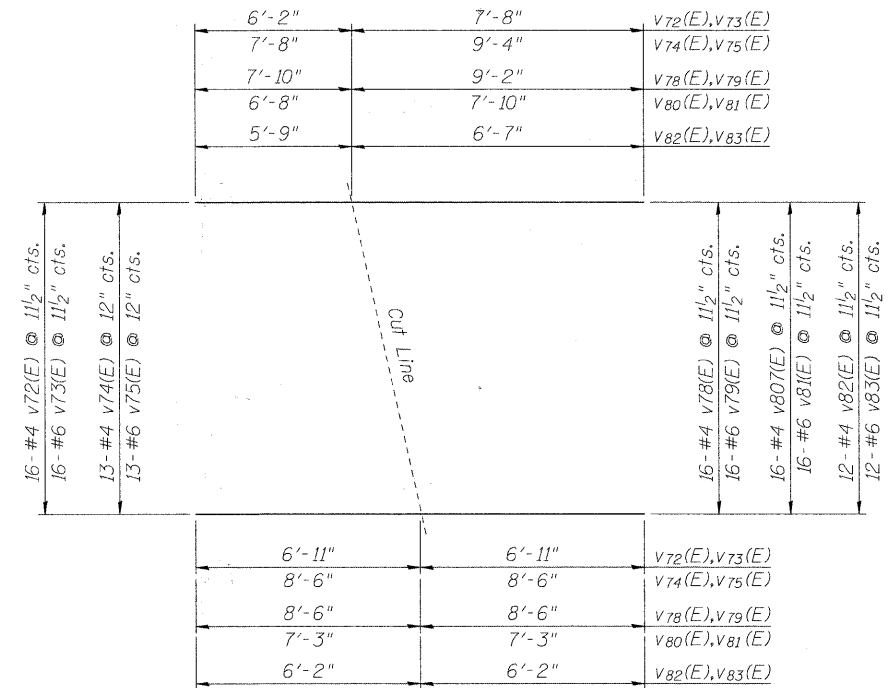
ELEVATION
Concrete Facing Panels 4-5
(Unfolded Elevation View)

MIN. BAR LAPS

- #4 bars - 2'-0"
- #5 bars - 2'-6"
- #6 bars - 3'-0"

NOTES

For Sections See Sheet 51 of 61.
E.J. = Expansion Joint
C.J. = Construction Joint
B.F. = Back Face
F.F. = Front Face
E.F. = Each Face



FIELD CUTTING DIAGRAM

Order v72(E), v73(E), v74(E), v75(E), v78(E), v79(E), v80(E), v81(E), v82(E) and v83(E) full length. Cut as shown and use remainder of bars at the opposite end.

FILE NAME = P:\A60156977\000_CAD\001_Drawing\Sheets\Structure\016-7726-1001-sh152-Conc-Facing.dgn



USER NAME = dabezicd	DESIGNED - DD	REVISED -
PLOT SCALE = 0=1.0000' = 1" / IN.	DRAWN - DD	REVISED -
PLOT DATE = 1/21/2011	CHECKED - EJO	REVISED -
	DATE - 11/22/2010	REVISED -

**STATE OF ILLINOIS
DEPARTMENT OF TRANSPORTATION**

**CONCRETE FACING
STRUCTURE NO. 016-7726**

SCALE: SHEET NO. 50 OF 61 SHEETS STA. TO STA.

F.A.J. RTE.	SECTION	COUNTY	TOTAL SHEETS	SHEET NO.
1537	06-00050-00-05	COOK	209	144
CONTRACT NO. 63556			ILLINOIS FED. AID PROJECT	