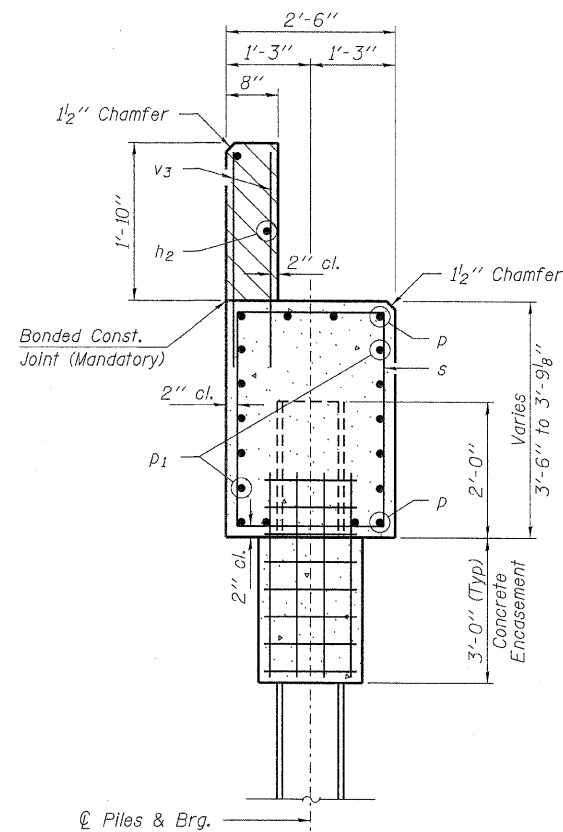
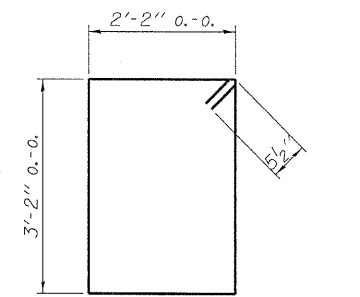


PLAN

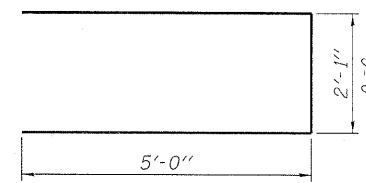


SECTION A-A

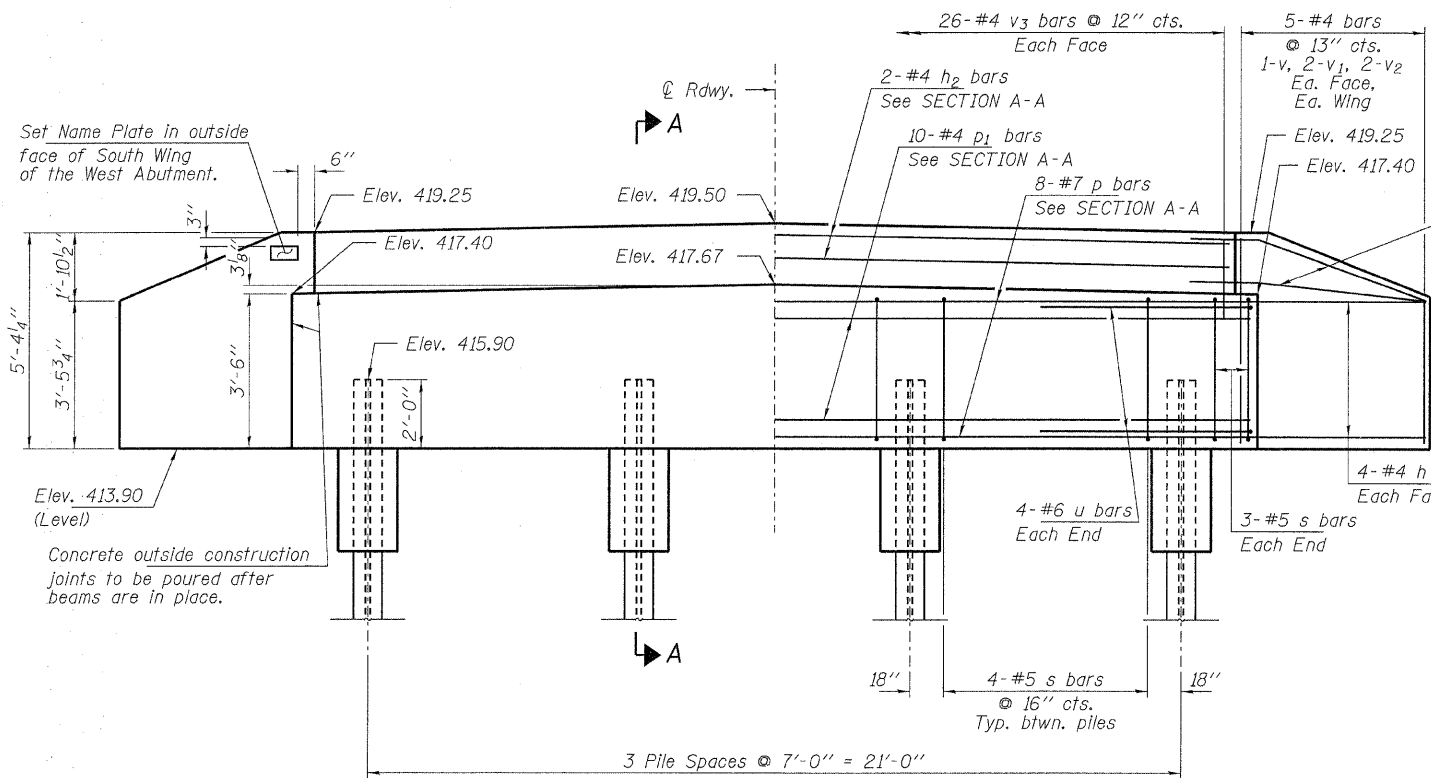
Hatched area to be poured after beams are in place.



BAR s



BAR u



ELEVATION

Note: Extend h bars into abutment cap.

Fan 2-#4 h bars (B.F.)
Fan 2-#4 h1 bars (F.F.)
Each Wing
Bend in field.

PILE DATA

Type ----- Steel HP10x42
No. Req'd. (2 Abutts.) ----- 8
Factored Resistance Available (Rf) ----- 167 Kips/Pile
Nominal Required Bearing (Rn) ----- 335 Kips/Pile
Est. Length ----- .65 Ft/Pile

Notes: The Steel H-Piles shall be according to AASHTO M270 Grade 50.

BILL OF MATERIAL - 2 ABUTS.

BAR	NO.	SIZE	LENGTH	SHAPE
h	40	#4	6'-0"	—
h1	8	#4	4'-6"	—
h2	4	#4	25'-2"	—
p	16	#7	25'-2"	—
p1	20	#4	25'-2"	—
s	36	#5	11'-7"	□
u	16	#6	12'-1"	—
v	8	#4	5'-0"	—
v1	16	#4	4'-4"	—
v2	16	#4	3'-4"	—
v3	104	#4	2'-8"	—
Concrete Structures			Cu. Yd.	22.2
Concrete Encasement			Cu. Yd.	2.8
Reinforcement Bars			Pound	2,430
Steel Piles HP10x42			Foot	520
Name Plates			Each	1

FILE NAME = 090058-ah-bridge.dgn	USER NAME =	DESIGNED - A.S.L.	REVISED - 01/18/10
HAMPTON, LENZINI AND RENWICK, INC. 3033 STEVENSON DRIVE, SUITE 201 SPRINGFIELD, ILLINOIS 62703 ILLINOIS PROFESSIONAL DESIGN FIRM LS / PE / SE CORP. 184.000959	PLOT SCALE =	CHECKED - S.W.M.	REVISED -
PLOT DATE = 10/12/2010		DRAWN - D.T.M.	REVISED -
		CHECKED - S.W.M.	REVISED -

STATE OF ILLINOIS
WHITE COUNTY HIGHWAY DEPARTMENT

ABUTMENTS
STRUCTURE NO. 097-3266

SHEET NO. 6 OF 9 SHEETS

T.R.	SECTION	COUNTY	TOTAL SHEETS	SHEET NO.
235	08-04126-00-BR	WHITE	13	10
ENFIELD ROAD DISTRICT			CONTRACT NO. 99430	
[ILLINOIS] FED. AID PROJECT				