

# SUMMARY OF QUANTITIES

CODE NO.	ITEM	UNIT	TOTAL QUANTITY
20200600	EXCAVATING AND GRADING EXISTING SHOULDER	UNIT	5.2
48203029	HOT-MIX ASPHALT SHOULDERS, 8"	SQ YD	482
40602978	HOT-MIX ASPHALT BINDER COURSE, IL 9.5, N50	TON	30
40604064	HOT-MIX ASPHALT SURFACE COURSE, IL 9.5, MIX "D" N90	TON	36
50300225	CONCRETE STRUCTURES	CU YD	4.2
44000160	HOT-MIX ASPHALT SURFACE REMOVAL, 2 3/4"	SQ YD	427
50300255	CONCRETE SUPERSTRUCTURE	CU YD	79.8
50300300	PROTECTIVE COAT	SQ YD	188
50800205	REINFORCEMENT BARS, EPOXY COATED	POUND	16,080
50800515	BAR SPLICERS	EACH	59
67100100	MOBILIZATION	L SUM	1
70100405	TRAFFIC CONTROL AND PROTECTION, STANDARD 701321	EACH	1
70100450	TRAFFIC CONTROL AND PROTECTION, STANDARD 701201	L SUM	1
70100500	TRAFFIC CONTROL AND PROTECTION, STANDARD 701326	L SUM	1
70103815	TRAFFIC CONTROL SURVEILLANCE	CAL DA	14
70106500	TEMPORARY BRIDGE TRAFFIC SIGNALS	EACH	1
70107006	PAVEMENT MARKING BLACKOUT TAPE, 6"	FOOT	640
70300150	SHORT TERM PAVEMENT MARKING REMOVAL	SQ FT	996

CODE NO.	ITEM	UNIT	TOTAL QUANTITY
70307120	TEMPORARY PAVEMENT MARKING - LINE 4" - TYPE IV TAPE	FOOT	1,880
70307210	TEMPORARY PAVEMENT MARKING - LINE 24" - TYPE IV TAPE	FOOT	24
70400100	TEMPORARY CONCRETE BARRIER	FOOT	500
70400200	RELOCATE TEMPORARY CONCRETE BARRIER	FOOT	500
70600250	IMPACT ATTENUATORS, TEMPORARY (NON- REDIRECTIVE), TEST LEVEL 3	EACH	2
70600350	IMPACT ATTENUATORS, RELOCATE (NON- REDIRECTIVE), TEST LEVEL 3	EACH	2
* 78001110	MODIFIED URETHANE PAVEMENT MARKING LINE 4"	FOOT	720
* 78200005	GUARDRAIL REFLECTORS, TYPE A	EACH	30
Z0004552	APPROACH SLAB REMOVAL	SQ YD	188

\*= SPECIALTY ITEM

MODEL: Default  
 FILE NAME: C:\333\project\1002\100489 - 1\07 7 64533 CopsSubmittal11-23-213-20911-MH-Morris-SOC.dgn  
 3230 Executive Drive, Joliet, Illinois 60431  
 Ph: (815) 730-3444 Fax: (815) 730-6703  
 LICENSE NO. 184-002005  
 © 2020 HAMILTON CONSULTING ENGINEERS, INC.

**HAMILTON CONSULTING ENGINEERS, INC.**

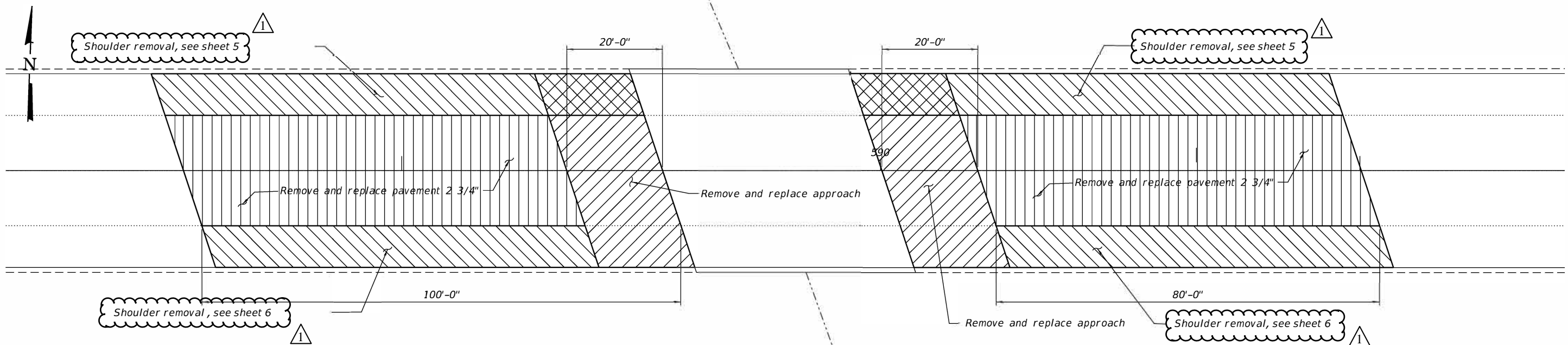
USER NAME = scottw	DESIGNED - MGB	REVISED -
PLOT SCALE = 2.0000" / in.	DRAWN - DWS	REVISED -
PLOT DATE = 12/2/2021	CHECKED - HJH	REVISED -
	DATE -	REVISED -

**STATE OF ILLINOIS  
DEPARTMENT OF TRANSPORTATION**

**IL 64 CROSSING PINE CREEK  
SCHEDULE OF QUANTITIES**

SCALE: SHEET 3 OF SHEETS STA. TO STA.

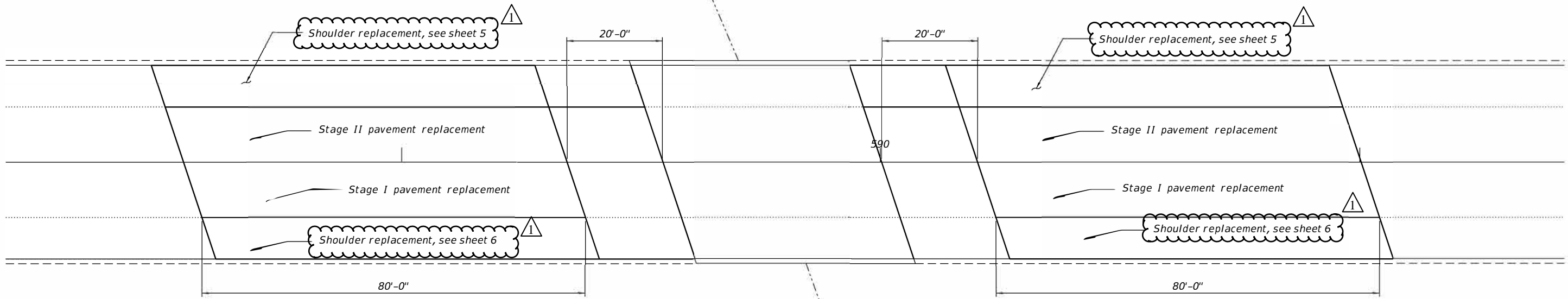
F.A.P. RTE.	SECTION	COUNTY	TOTAL SHEETS	SHEET NO.
17	(102BR)RS	OGLE	13	3
CONTRACT NO. 64R33				
ILLINOIS FED. AID PROJECT				



**HMA**

Location and Mixture Use(s):	Resurfacing	
	Surface	Binder
Lift Thickness	1.5"	1.25"
PG:	PG 58-28	PG 58-28
Design Air Voids	4.0 @ N90	4.0 @ N50
Mixture Composition	IL 9.5	IL 9.5FG
Friction Aggregate	C	N/A
Mix Weight	112	N/A
Quality Management Program	QC/QA	QC/QA
Sublot Size	N/A	N/A
Material Transfer Device	N/A	N/A

PAVEMENT REMOVAL PLAN



PAVEMENT REPLACEMENT PLAN

MODEL: Default  
FILE NAME: \\kpf\com\dfs\Bridges\2100459 (WO 7 64R33) SM 071-0015\02\_Design (MS)\Pavement Removal Plan.dgn

**kpff**  
Consulting Engineers  
1560 Sherman Ave.  
Suite 1020

USER NAME =	DESIGNED -	REVISED -
PLOT SCALE =	CHECKED -	REVISED -
PLOT DATE =	DRAWN -	REVISED -
	CHECKED -	REVISED -

STATE OF ILLINOIS  
DEPARTMENT OF TRANSPORTATION

ILL. 64 CROSSING PINE CREEK  
PAVEMENT DETAILS

F.A. RTE. 17	SECTION (102BR)RS	COUNTY OGLE	TOTAL SHEETS 13	SHEET NO. 10
CONTRACT NO. 64R33				
ILLINOIS FED. AID PROJECT				

12/1/2021 9:53:46 PM