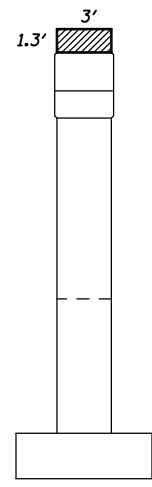


DATE	BY	CHECKED	SCALE	SHEET
FAI 74		MCLEAN	160	94
P.L. ROAD DIST. NO.		SHEET NO.		

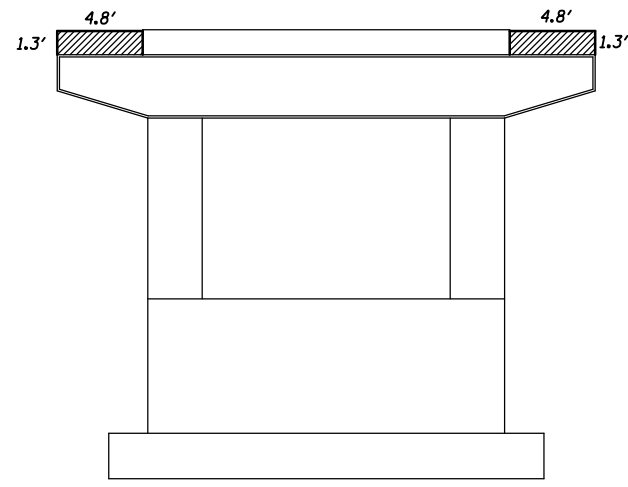
Sheet 2
of 4 Sheets

• 57-20(1) & (57-4,5,6)RS-3

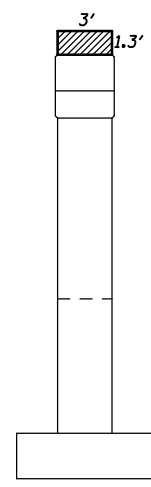
CONTRACT NO. 70505



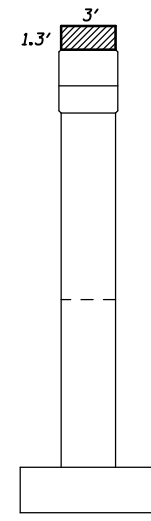
WEST END VIEW
(Looking East)



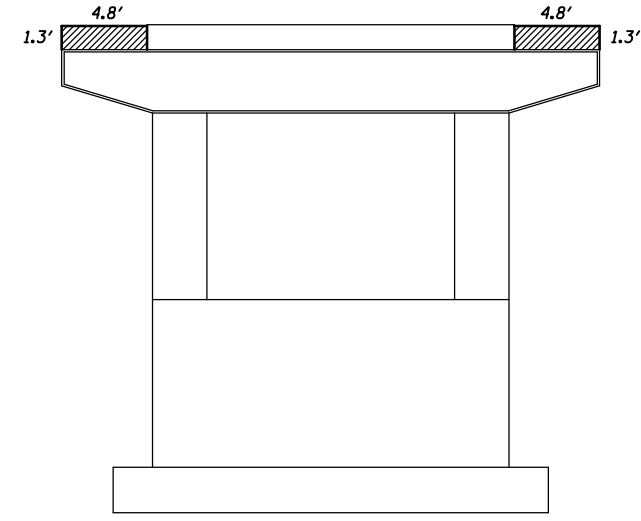
SOUTH ELEVATION
(Looking North)



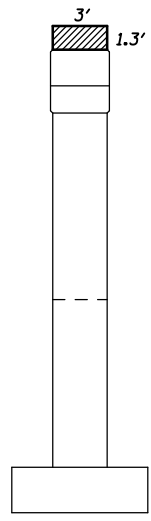
EAST END VIEW
(Looking West)



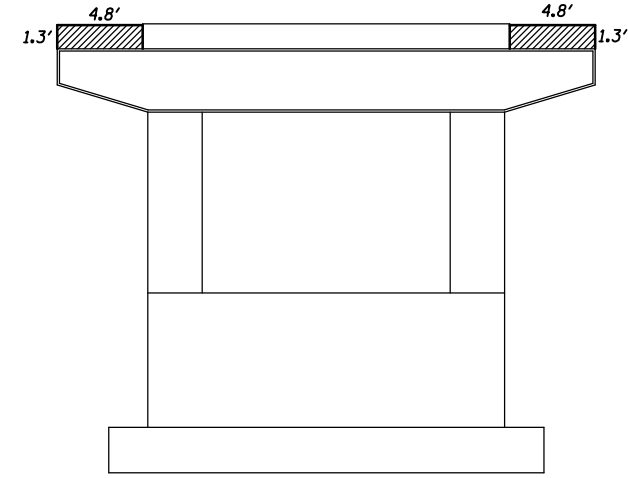
WEST END VIEW
(Looking East)



South Elevation
(Looking North)

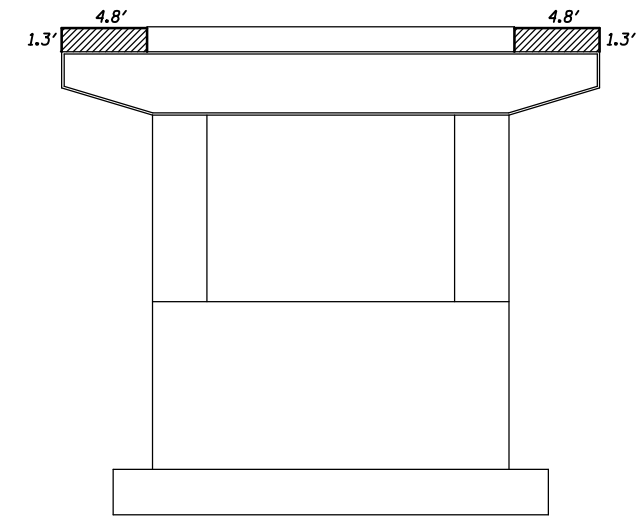


EAST END VIEW
(Looking West)



NORTH ELEVATION
(Looking South)

PIER 1
SN 057-0116



North Elevation
(Looking South)

PIER 2
SN 057-0116

LEGEND
 Structural Repair of Concrete
(Depth Equal to or Less Than 5')

BILL OF MATERIAL

ITEM	UNIT	QUANTITY
Structural Repair of Concrete (Depth Equal to or Less Than 5')	Sq. Ft.	66

DESIGNED	JDA
CHECKED	JKC
DRAWN	NET
CHECKED	JDA

PIER REPAIR
 TR 210 (MORRIS AVE.) OVER F.A.I. ROUTE 74
 SECTION 57-20(1) & (57-4,5,6)RS-3
 MCLEAN COUNTY
 SN 057-0116
 STA. 679+59.01