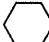
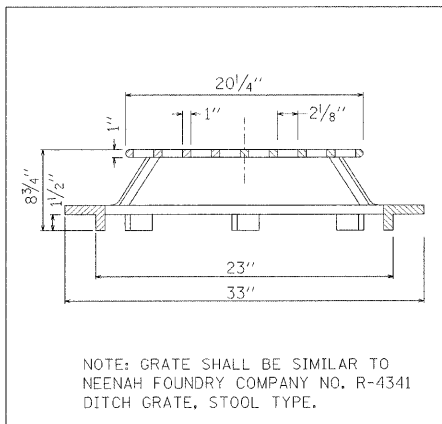
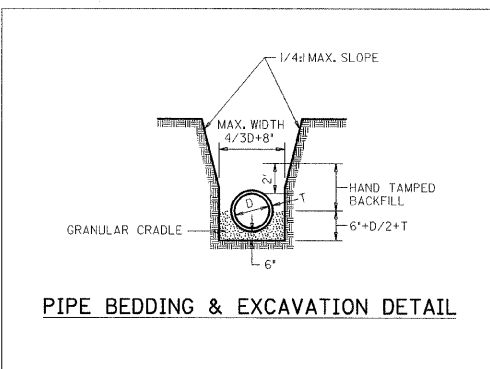


MANHOLES 

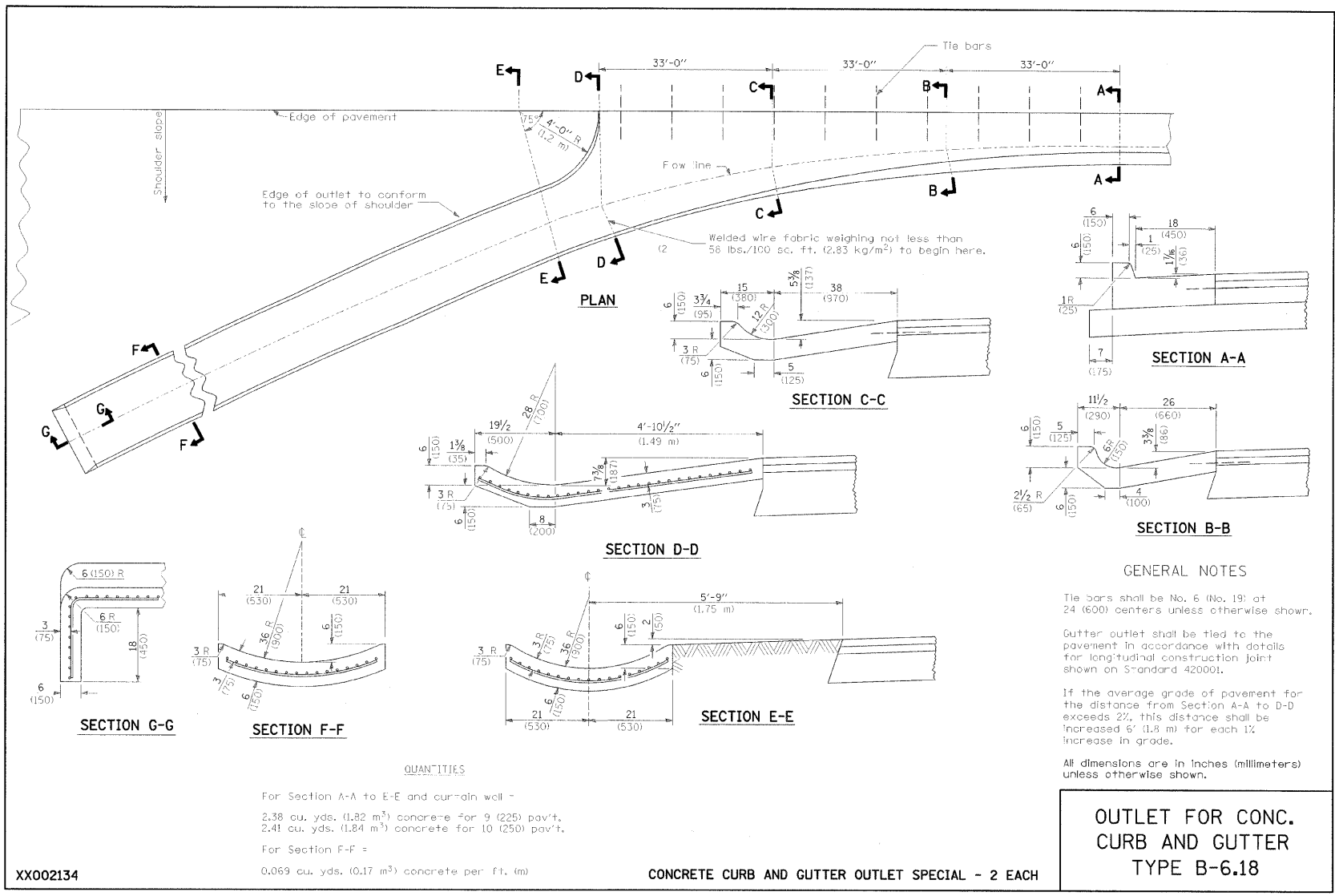
- ① STA 88+50, 26' RT
MH TY A, 4' DIA
TY 1 FR & OL
TL=786.59
FL(W)=779.47
FL(S)=782.74
- ② STA 88+84.5, 26' RT
MH TY A, 4' DIA
TY 1 FR & OL
TL=780.65
FL(N)=778.15
FL(W)=769.06
- ③ STA 89+32.5, 26' RT
MH TY A, 4' DIA
TY 1 FR & OL
TL=770.24
FL(E)=767.74
FL(W)=757.65
- ④ STA 89+68.40, 48.11' LT
MH SPECIAL
W/ TY SPECIAL FR & GR
FL=763.13
FL(TOP)=763.00
FL(NE)=755.63
- ⑤ STA 89+81.5, 26' RT
MH TY A, 4' DIA
TY 1 FR & OL
TL=761.10
FL(E)=756.84
FL(N)=743.92
FL(SW)=754.50
- ⑥ STA 90+49.5, 26' RT
MH TY A, 4' DIA
TY 1 FR & OL
TL=746.70
FL(N)=734.81
FL(S)=743.20
- ⑦ STA 91+00, 26' RT
MH TY A, 4' DIA
TY 1 FR & OL
TL=737.61
FL(S)=734.11
FL(N)=727.73
FL(W)=733.92
- ⑧ STA 91+38.5, 29' RT
MH TY A, 4' DIA
TY 1 FR & OL
TL=730.71
FL(S)=727.21
FL(N)=719.51
- ⑨ STA. 91+54, 22' LT
MH SPECIAL
W/ TY SPECIAL FR & GR
FL=725.00
FL(TOP)=725.00
FL(NE)=719.31
- ⑩ STA 91+88.5, 26' RT
MH TY A, 4' DIA
TY 1 FR & OL
TL=722.49
FL(S)=718.99
FL(N)=708.91
FL(W)=718.50
- ⑪ STA 92+44, 26' RT
MH TY A, 4' DIA
TY 1 FR & OL
TL=711.69
FL(S)=708.19
FL(N)=699.45
- ⑫ STA 92+97, 26' RT
MH TY A, 4' DIA
TY 1 FR & OL
TL=702.15
FL(S)=698.65
FL(N)=690.05
- ⑬ STA 93+50, 26' RT
MH TY A, 4' DIA
TY 1 FR & OL
TL=692.75
FL(S)=689.25
FL(N)=679.44
FL(W)=689.06
- ⑭ STA 94+15, 26' RT
MH TY A, 4' DIA
TY 1 FR & OL
TL=682.02
FL(S)=678.52
FL(N)=670.00
- ⑮ STA 94+82, 26' RT
MH TY A, 4' DIA
TY 1 FR & OL
TL=672.53
FL(S)=669.03
FL(N)=660.00

INLETS 

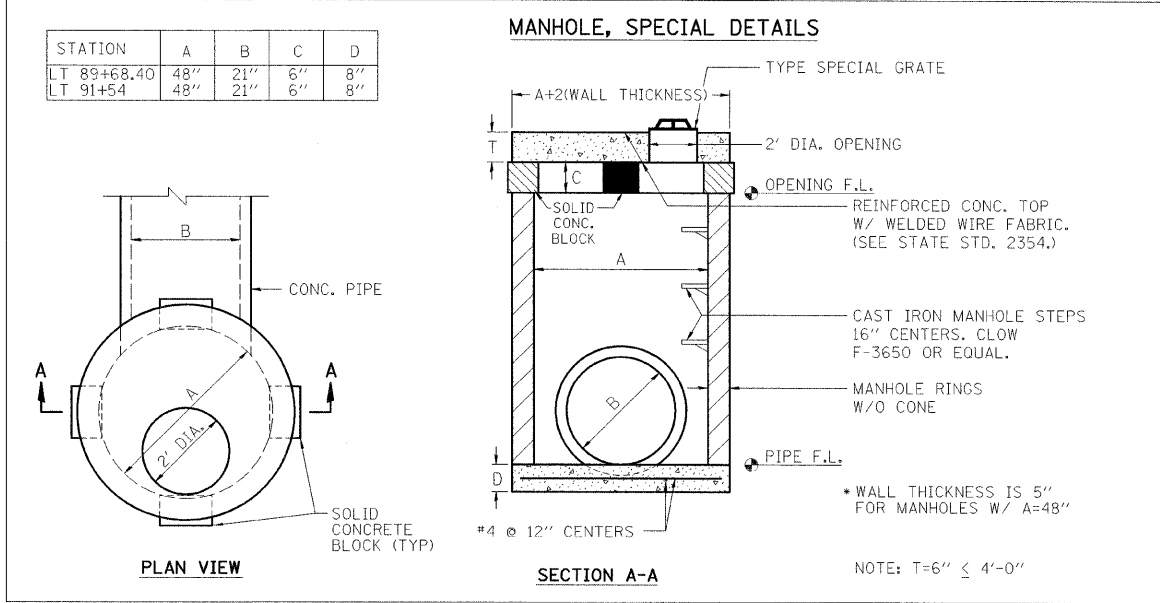
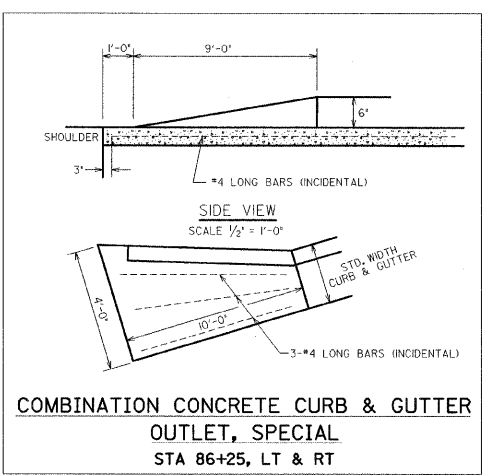
- ① STA 88+50, 11.08' LT
INLET TY A
TY 3 FR & GR
TC=786.30
FL(S)=782.96
FL(N)=783.15
- ② STA 88+50, 11.08' RT
INLET TY B
TY 3 FR & GR
TC=786.30
FL(S)=782.96
FL(N)=782.86
- ③ STA 91+00, 11.08' LT
INLET TY A
TY 3 FR & GR
TC=737.69
FL(E)=734.35
- ④ STA 91+00, 11.08' RT
INLET TY B
W/TY 3 FR & GR
TC=737.69
FL(W)=734.16
FL(E)=734.06
- ⑤ STA 93+50, 11.08' LT
INLET TY A
TY 3 FR & GR
TC=692.46
FL(E)=689.49
- ⑥ STA 93+50, 11.08' RT
INLET TY B
TY 3 FR & GR
TC=692.46
FL(W)=689.30
FL(E)=689.20



NOTE: GRATE SHALL BE SIMILAR TO NEENAH FOUNDRY COMPANY NO. R-4341 DITCH GRATE, STOOL TYPE.



XX002134



R:\DOT\DWG\106581_Misc\Detail_Planes.dwg

FILE NAME =	USER NAME = #USCR#	DESIGNED - PJM	REVISED	STATE OF ILLINOIS DEPARTMENT OF TRANSPORTATION	DRAINAGE STRUCTURES & MISCELLANEOUS DETAILS	F.A. RTE.	SECTION	COUNTY	TOTAL SHEETS	SHEET NO.	
#FILEL#		DRAWN - DVH	REVISED -					NORTH SLOPE ROAD	CARROLL	24	16
PLOT SCALE = #SCALE#		CHECKED - RGD	REVISED -			CONTRACT NO. 46030					
PLOT DATE = #DATE#		DATE - 12-21-09	REVISED -			SCALE:	SHEET NO. 16 OF 24 SHEETS	STA.	TO STA.	FED. ROAD DIST. NO.	ILLINOIS FED. AID PROJECT