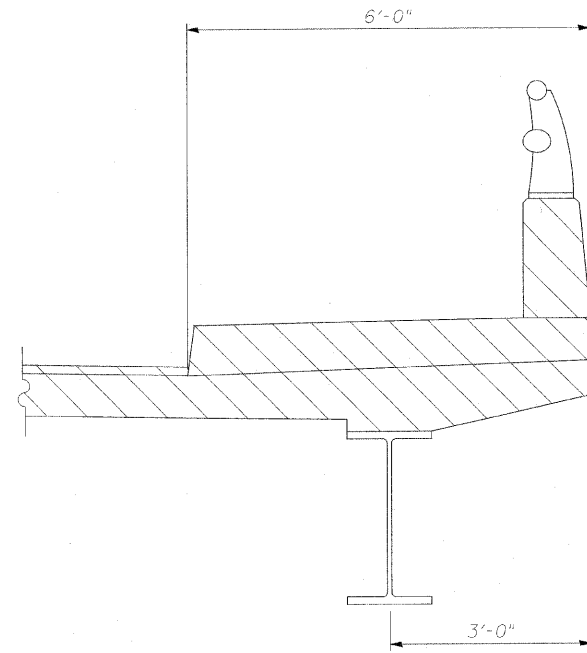
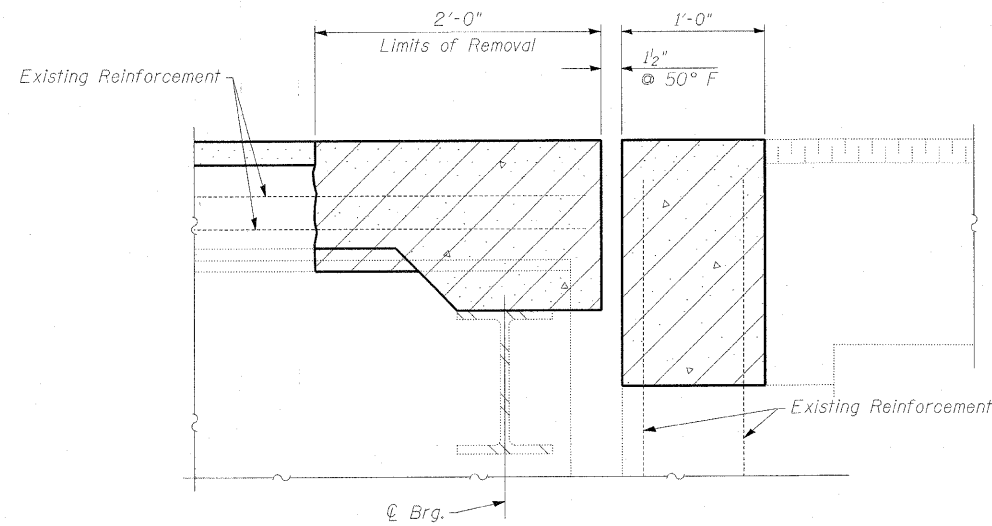


STATE OF ILLINOIS  
DEPARTMENT OF TRANSPORTATION



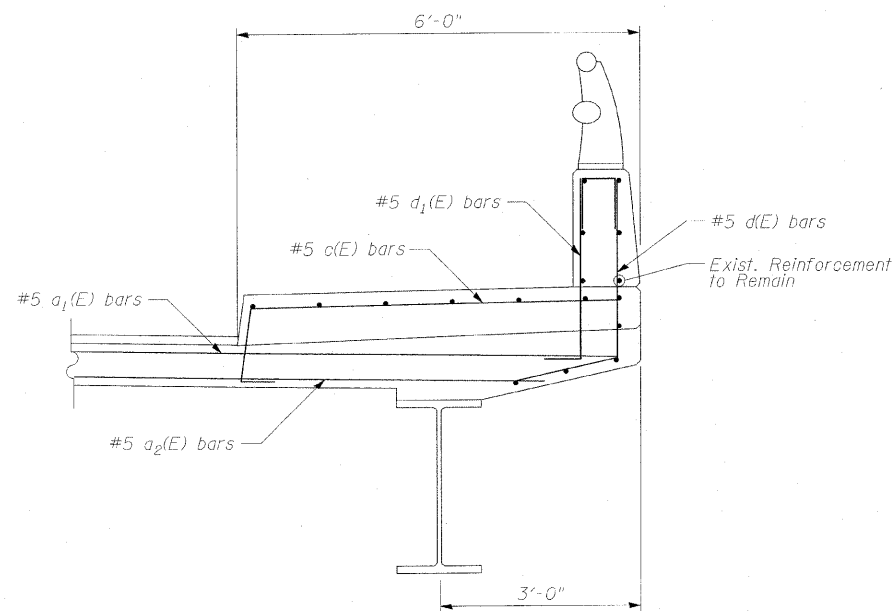
EXISTING PARAPET SECTION



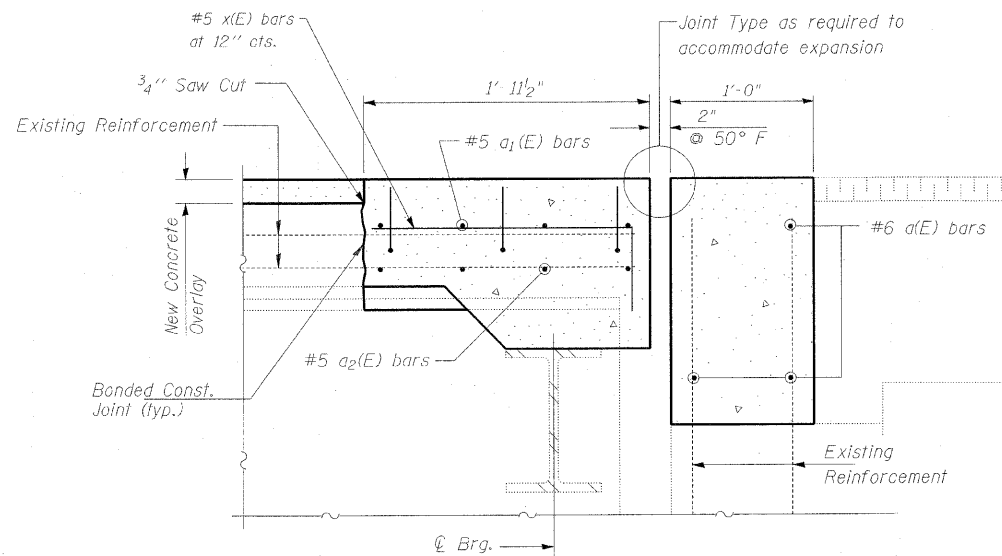
EXISTING SECTION THRU WEST AND EAST ABUTMENTS

Notes:

- Existing reinforcement bars extending into the concrete removal area shall be cleaned, straightened and incorporated into the new construction. Any reinforcement bars damaged during concrete removal shall be replaced with an approved bar splicer or anchorage system. Cost included with Concrete Removal.
- Existing reinforcement bars in the concrete removal area parallel to the expansion joints shall be removed.
- Removal and disposal of the existing expansion joints will not be paid for separately, but shall be included with the cost of Concrete Removal.
- If existing name plate falls within the limits of Concrete Removal, it shall be removed and reinstalled in its original location in accordance with IDOT Std. 515001. Cost included with Concrete Superstructure.
- The Contractor shall exercise extreme care with the existing conduits in sections of the parapet to be removed and to protect and support the conduit. The Contractor will be required to repair any damage done to the conduit to the satisfaction of the Engineer. No splicing will be allowed to any cable damage resulting from this work, instead the Contractor will be required to repair the entire span of any damaged cable at no additional cost to the Department.
- Work this sheet with Expansion Joint Repairs sheet.



PROPOSED PARAPET SECTION



PROPOSED SECTION THRU WEST AND EAST ABUTMENTS

BILL OF MATERIAL

ITEM	UNIT	QUANTITY
Concrete Removal	Cu. Yd.	29.8
Reinforcement Bars (Epoxy Coated)	Pound	2,140
Concrete Superstructure	Cu. Yd.	29.8

EXPANSION JOINT DETAILS  
STRUCTURE NO. 016-0573

DESIGNED JMH	2010
CHECKED LMS	EXAMINED
DRAWN VC	ENGINEER OF STRUCTURAL SERVICES
CHECKED JMH	PASSED
	ENGINEER OF BRIDGES AND STRUCTURES

SHEET NO. S6 OF S10 SHEETS	F.A.U RTE.	SECTION	COUNTY	TOTAL SHEETS	SHEET NO.
	1620	43I-1	COOK	16	10
CONTRACT NO. 60J82					
ILLINOIS FED. AID PROJECT					