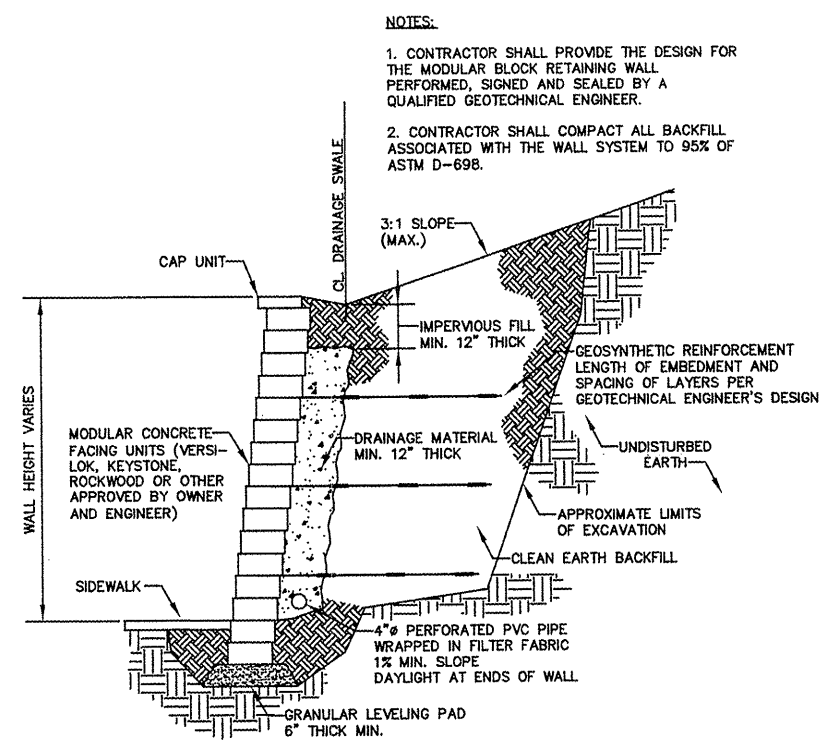


NOTE:  
MODULAR BLOCK WALL NOT SHOWN FOR CLARITY.

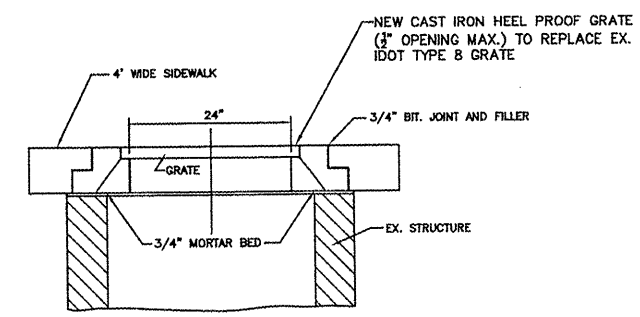
**STAIR SECTION**  
SCALE: NONE



NOTES:  
1. CONTRACTOR SHALL PROVIDE THE DESIGN FOR THE MODULAR BLOCK RETAINING WALL PERFORMED, SIGNED AND SEALED BY A QUALIFIED GEOTECHNICAL ENGINEER.  
2. CONTRACTOR SHALL COMPACT ALL BACKFILL ASSOCIATED WITH THE WALL SYSTEM TO 95% OF ASTM D-698.

**SEGMENTAL CONCRETE BLOCK WALL SECTION**  
SCALE: NONE

STATION 47+59 TO 49+86.5 /  
STATION 65+89 TO 66+415



**GRATE INLET DETAIL**  
SCALE: NONE

PLAN

DESIGNED	
DRAWN	
CHECKED	
DATE	

PROFILE

DESIGNED	
DRAWN	
CHECKED	
DATE	

FILE NAME	USER NAME = \$USER\$	DESIGNED -- KJW	REVISED -- 1-19-10
SFILES		DRAWN -- JMA	REVISED --
		CHECKED --	REVISED --
		DATE -- 4-9-09	REVISED --

CITY OF CENTREVILLE  
CHURCH ROAD IMPROVEMENTS

MISCELLANEOUS DETAILS

SCALE: 1"=20'

SHEET NO. 36 OF 36 SHEETS

STA. \_\_\_\_\_ TO STA. \_\_\_\_\_

F.A.U. RTE.	SECTION	COUNTY	TOTAL SHEETS	SHEET NO.
9202	09-00016-00-RS	ST. CLAIR	36	19
CONTRACT NO. 97431				

FED. ROAD DIST. NO. ... ILLINOIS FED. AID PROJECT