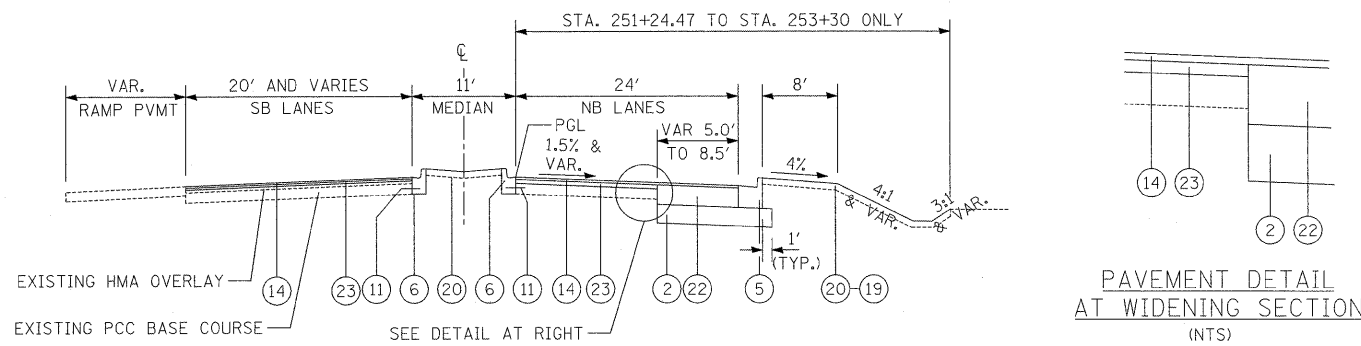


PROPOSED LEGEND

- ① PORTLAND CEMENT CONCRETE PAVEMENT 9½" (JOINTED)
- ② AGGREGATE SUBGRADE, 12"
- ③ GEOTECHNICAL FABRIC FOR GROUND STABILIZATION
- ④ COMBINATION CONCRETE CURB AND GUTTER, (SPECIAL)
- ⑤ COMBINATION CONCRETE CURB AND GUTTER, TYPE B-6.24
- ⑥ COMBINATION CONCRETE CURB AND GUTTER, TYPE B-6.12
- ⑦ CONCRETE MEDIAN, TYPE SB-6.12
- ⑧ LONGITUDINAL CONSTRUCTION JOINT WITH NO. 8 x 24-INCH EPOXY COATED DEFORMED TIE BARS DRILLED & GROUTED-IN-PLACE @ 24" C-C PER STD. 420001 (INCLUDED IN THE COST OF PCC PAVEMENT)
- ⑨ LONGITUDINAL CONSTRUCTION JOINT WITH NO. 6 x 24-INCH EPOXY COATED DEFORMED TIE BARS DRILLED & GROUTED-IN-PLACE @ 24" C-C PER STD. 606001 (INCLUDED IN COST OF CONCRETE CURB AND GUTTER OR MEDIAN)
- ⑩ SAWED LONGITUDINAL JOINT WITH NO. 6 x 30-INCH EPOXY COATED DEFORMED TIE BAR @ 30" C-C (INCLUDED IN THE COST OF PCC PAVEMENT)
- ⑪ DRILL AND GROUT DOWEL BARS (24" C-C SPACING)
- ⑫ HOT-MIX ASPHALT BASE COURSE, 10"
- ⑬ HOT-MIX ASPHALT BASE COURSE WIDENING, 6"
- ⑭ POLYMERIZED HOT-MIX ASPHALT SURFACE COURSE, MIX "F", N90 (1¾")
- ⑮ HOT-MIX ASPHALT SURFACE COURSE, MIX "D", N70 (1¾")
- ⑯ HOT-MIX ASPHALT BINDER COURSE, IL-19.0, N70 (2¼")
- ⑰ AGGREGATE SHOULDERS, TYPE B 6"
- ⑱ 4" Ø PIPE UNDERDRAIN
- ⑲ SODDING, SALT TOLERANT, OR SEEDING AS NOTED ON PLANS
- ⑳ 4" TOPSOIL (PAID AS TOPSOIL EXCAVATION AND PLACEMENT)
- ㉑ 24" TOPSOIL (PAID AS TOPSOIL EXCAVATION AND PLACEMENT OR TOPSOIL FURNISH AND PLACE, 24")
- ㉒ POLYMERIZED HOT-MIX ASPHALT BINDER COURSE, IL-19.0, N90 (10¼")
- ㉓ POLYMERIZED LEVELING BINDER (MACHINE METHOD), IL-4.75, N50 (¾")

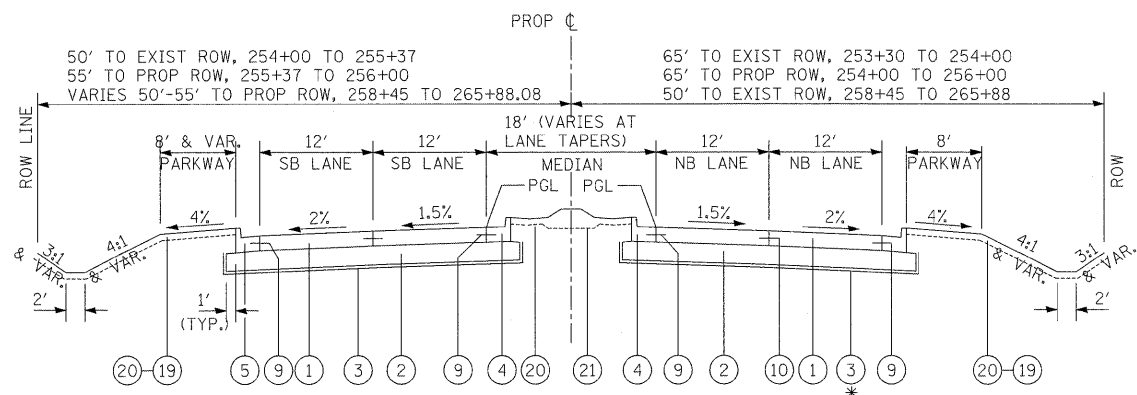
NOTES:

1. THE LOCATION OF POROUS GRANULAR EMBANKMENT, SUBGRADE (PGES) IS SHOWN IN THE CROSS SECTIONS. WHEN GEOTECHNICAL FABRIC FOR GROUND STABILIZATION IS SPECIFIED IT SHALL BE INSTALLED PRIOR TO THE PLACEMENT OF SUBGRADE MATERIAL. REFER TO THE SCHEDULE OF QUANTITIES FOR LOCATIONS.
2. FOR LOCATION OF UNDERDRAIN, SEE TABLE PROVIDED IN DRAINAGE PLANS. THE OUTFALL TO DRAINAGE STRUCTURE IS LISTED IN TABLES. WHEN A SPECIAL OUTLET IS USED, INSTALL PER STD. 601001.
3. ALL UNDERDRAIN TIE-INS TO STRUCTURES WILL BE INCLUDED IN THE PIPE UNDERDRAIN PAY ITEM.
4. HMA SHOULDERS, 8" USED ALONG NB US 45 BETWEEN STA. 255+80 AND STA. 257+30. HMA SHOULDERS, 6" USED AT TRAFFIC BARRIER TERMINAL. TYPE 1 SPECIAL LOCATIONS PER IDOT STANDARDS. PLEASE REFER TO THE ROADWAY PLAN AND PROFILE SHEETS FOR MORE INFORMATION.



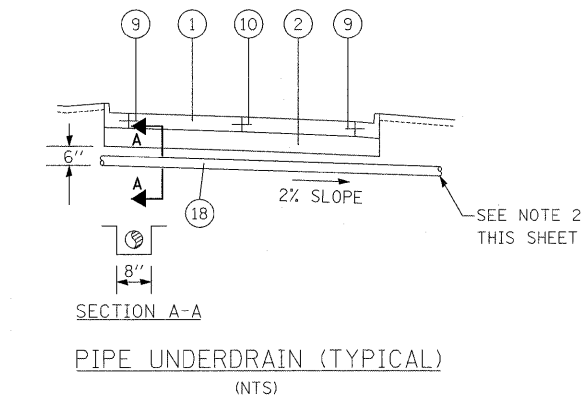
PROPOSED TYPICAL SECTION

U.S. ROUTE 45
STA. 251+30 TO STA. 253+30 (NB) / 254+00 (SB)

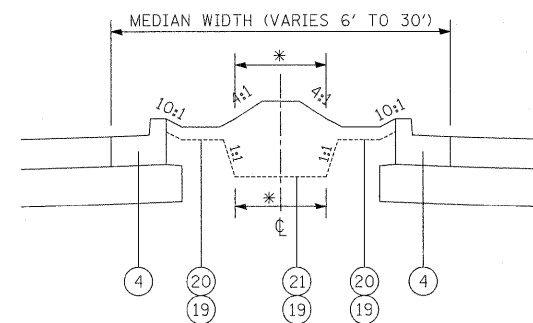


PROPOSED TYPICAL SECTION

U.S. ROUTE 45
STA. 253+30.00 (NB) / 254+00 (SB) TO STA. 256+00.00
STA. 258+45.00 TO STA. 265+88.08



PIPE UNDERDRAIN (TYPICAL)
(NTS)

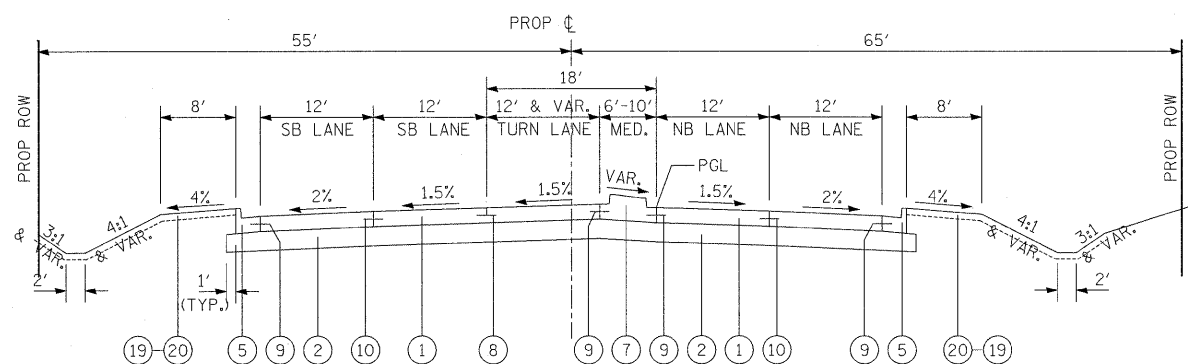


LANDSCAPED MEDIAN DETAIL
(NTS)

FOR INSTALLATION WHEN MEDIAN WIDTH IS 16' OR GREATER. OTHERWISE, 4" TOPSOIL SHALL BE INSTALLED FOR THE ENTIRE WIDTH, SLOPED TOWARD THE CL AT 4%.

EMBANKMENT MATERIAL SHALL BE USED TO BACKFILL THE AREA BETWEEN THE CURBS PRIOR TO PLACEMENT OF TOPSOIL ITEMS.

*WIDTH OF MEDIAN LANDSCAPING AREA AS INDICATED ON THE PLANS



PROPOSED TYPICAL SECTION

U.S. ROUTE 45
STA. 256+00.00 TO STA. 258+45.00

FILE NAME =	USER NAME = #USER#	DESIGNED - MAP	REVISED -	STATE OF ILLINOIS DEPARTMENT OF TRANSPORTATION	PROPOSED TYPICAL SECTIONS - U.S. ROUTE 45			F.A.P. RTE.	SECTION	COUNTY	TOTAL SHEETS	SHEET NO.
\$FILEL#		DRAWN - JRH	REVISED -					344	(46-1S&47)WRS-3	LAKE	176	17
	PLOT SCALE = #SCALE#	CHECKED - JW	REVISED -		U.S. ROUTE 45 RECONSTRUCTION			CONTRACT NO. 60957				
	PLOT DATE = #DATE#	DATE - 12-12-08	REVISED -		SCALE: NONE	SHEET NO. 2 OF 5 SHEETS	STA. TO STA.	FED. ROAD DIST. NO. [ILLINOIS] FED. AID PROJECT				