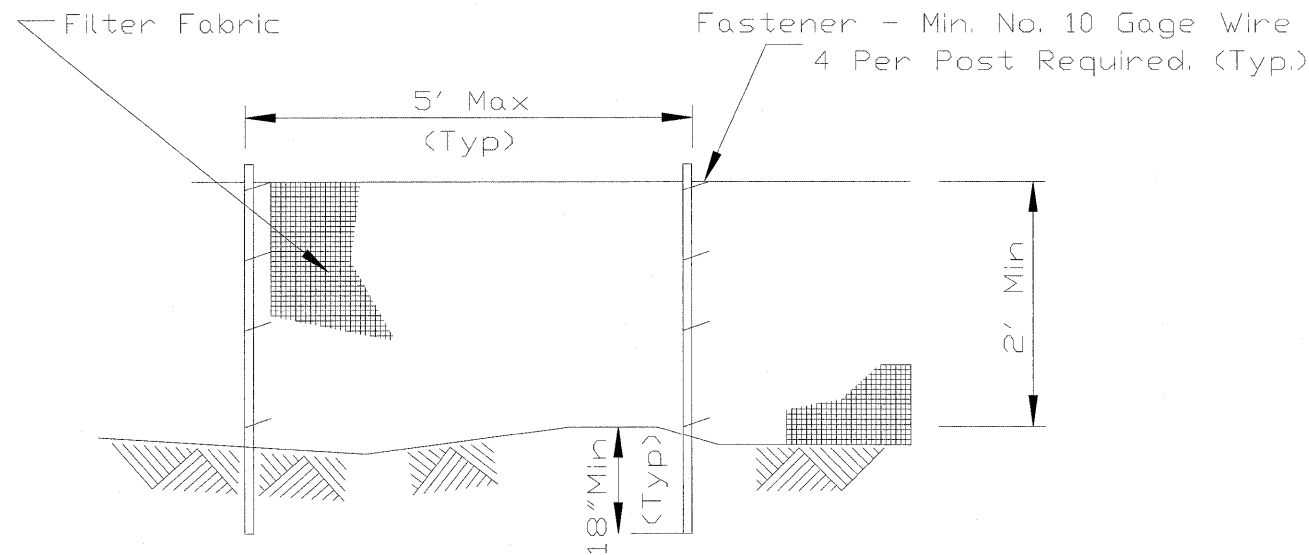
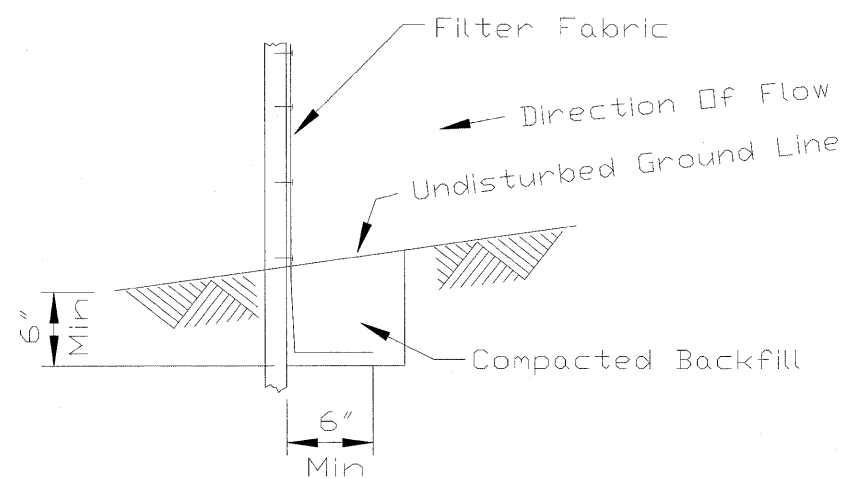


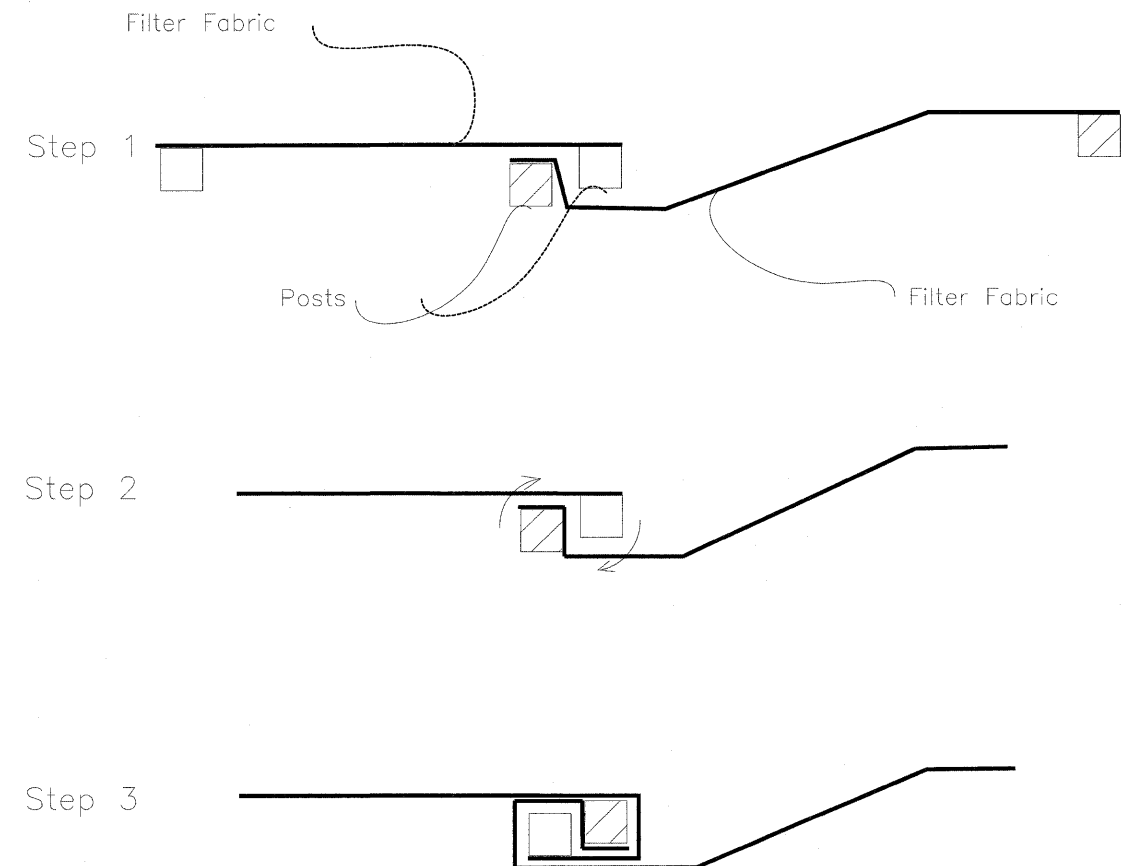
SILT FENCE PLAN  
IL-620



ELEVATION



FABRIC ANCHOR DETAIL



ATTACHING TWO SILT FENCES

NOTES:

Temporary sediment fence shall be installed prior to any grading work in the area to be protected. They shall be maintained throughout the construction period and removed in conjunction with the final grading and site stabilization.

Filter fabric shall meet the requirements of material specification 592 Geotextile Table 1 or 2, Class I with equivalent opening size of at least 30 for nonwoven and 50 for woven.

Fence posts shall be either standard steel post or wood post with a minimum cross-sectional area of 3.0 sq. in.

NOTES:

1. Place the end post of the second fence inside the end post of the first fence.
2. Rotate both posts at least 180 degrees in a clockwise direction to create a tight seal with the fabric material.
3. Drive both posts a minimum of 18 inches into the ground and bury the flap.

IL-620(W)

FILE NAME *	USER NAME * #USER#	DESIGNED - MAP	REVISED -	<b>STATE OF ILLINOIS DEPARTMENT OF TRANSPORTATION</b>	<b>EROSION CONTROL PLAN DETAILS</b>				F.A.P. RTE.	SECTION	COUNTY	TOTAL SHEETS	SHEET NO.
#FILE#		DRAWN - JRH	REVISED -		SCALE: N.T.S.	SHEET NO. 2 OF 3 SHEETS	STA.	TO STA.	344	(46-1S&47)WRS-3	LAKE	176	104
		CHECKED - JW	REVISED -						U.S. ROUTE 45 RECONSTRUCTION		CONTRACT NO. 60957		
		DATE - 12-12-08	REVISED -						FED. ROAD DIST. NO.		ILLINOIS FED. AID PROJECT		