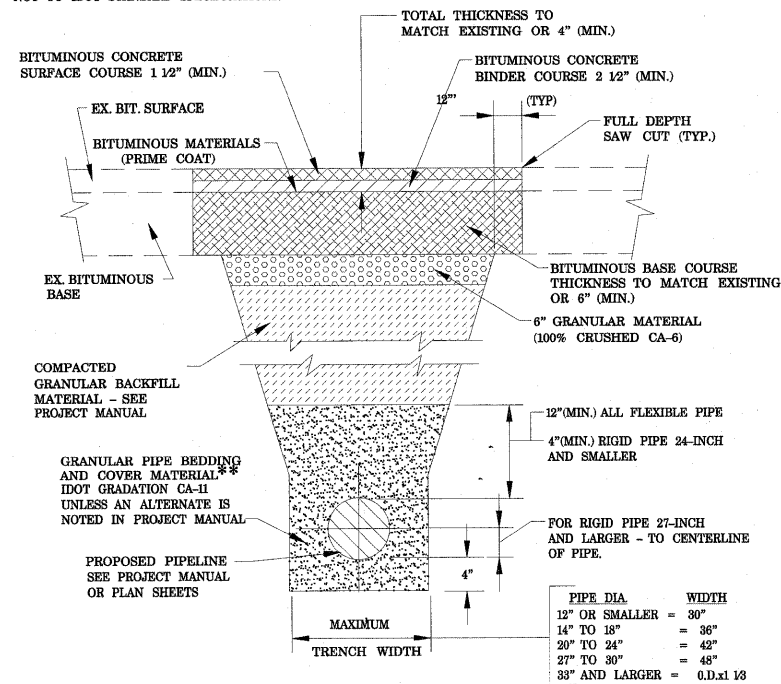


NOTE:  
PROJECT MANUAL REFERS TO "PROJECT SPECIFICATIONS",  
NOT TO IDOT STANDARD SPECIFICATIONS.



**TYPICAL TRENCH DETAIL**

NO SCALE

FOR PAVEMENT WITH BITUMINOUS BASE  
AND COMPACTED GRANULAR BACKFILL MATERIAL

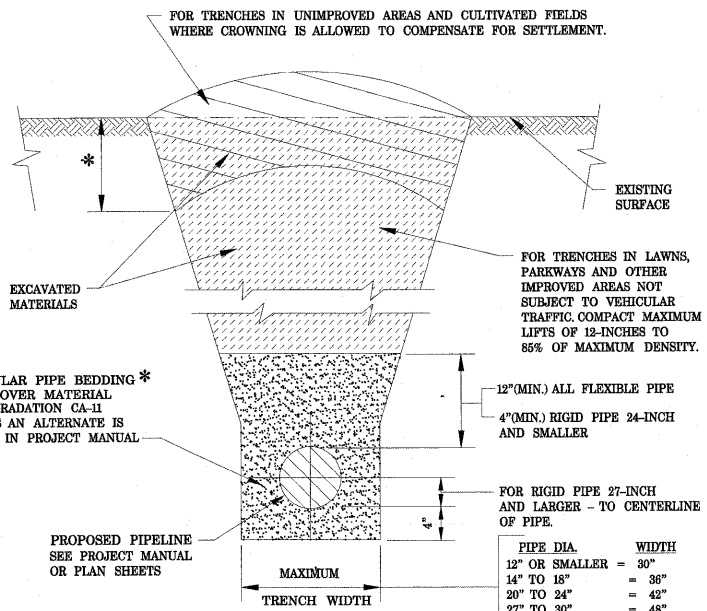
\* FOR FLEXIBLE THERMOPLASTIC OR HDPE PIPE COMPLY WITH  
ASTM 2321, CLASS I OR II.

FOR RIGID PIPE COMPLY WITH ASTM C12, BEDDING CLASS B.

PIPE DIA.	WIDTH
12" OR SMALLER	= 30"
14" TO 18"	= 36"
20" TO 24"	= 42"
27" TO 30"	= 48"
33" AND LARGER	= 0.1x1 1/2

NOTE:  
PROJECT MANUAL REFERS TO "PROJECT SPECIFICATIONS",  
NOT TO IDOT STANDARD SPECIFICATIONS.

\* FARM FIELDS, GARDENS, AND WETLAND AREAS MAY  
REQUIRE STRIPPING, STOCKPILING, AND REPLACING  
ORIGINAL MATERIAL TO A SPECIFIC DEPTH. SEE  
PROJECT MANUAL OR GENERAL NOTES FOR REQUIREMENTS.



**TYPICAL TRENCH DETAIL**

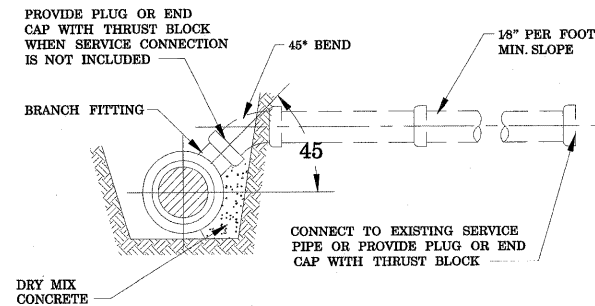
NO SCALE

FOR NON-PAVED AREAS

\* FOR FLEXIBLE THERMOPLASTIC OR HDPE PIPE COMPLY WITH  
ASTM 2321, CLASS I OR II.

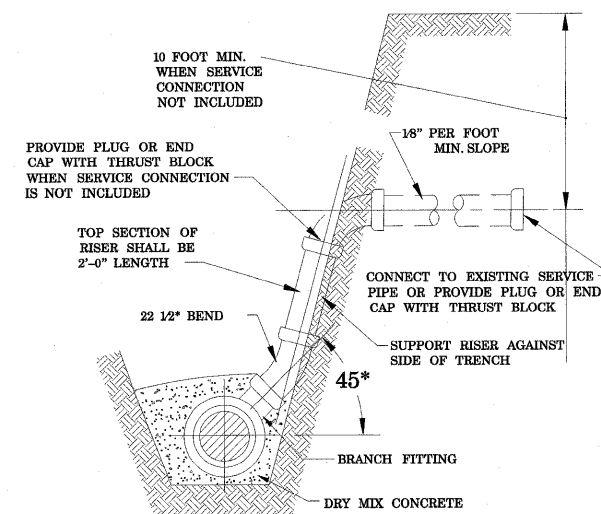
FOR RIGID PIPE COMPLY WITH ASTM C12, BEDDING CLASS B.

PIPE DIA.	WIDTH
12" OR SMALLER	= 30"
14" TO 18"	= 36"
20" TO 24"	= 42"
27" TO 30"	= 48"
33" AND LARGER	= 0.1x1 1/2



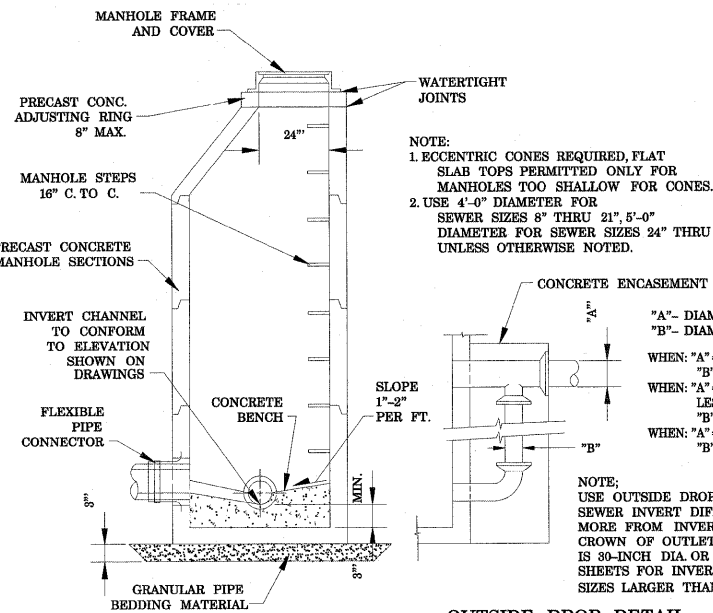
**BUILDING SERVICE DETAIL**

FOR SEWER INVERT DEPTHS TO 12 FEET



**BUILDING SERVICE RISER DETAIL**

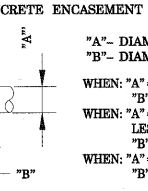
FOR SEWER INVERT DEPTHS OVER 12 FEET



**SANITARY MANHOLE DETAIL**

NO SCALE

NOTE:  
1. ECCENTRIC CONES REQUIRED, FLAT  
SLAB TOPS PERMITTED ONLY FOR  
MANHOLES TOO SHALLOW FOR CONES.  
2. USE 4'-0" DIAMETER FOR  
SEWER SIZES 8" THRU 21", 5'-0"  
DIAMETER FOR SEWER SIZES 24" THRU 33",  
UNLESS OTHERWISE NOTED.



NOTE:  
USE OUTSIDE DROP WHEN ANY ENTERING  
SEWER INVERT DIFFERS BY 2'-0" OR  
MORE FROM INVERT OF MANHOLE. MATCH  
CROWN OF OUTLET PIPE WHERE OUTLET PIPE  
IS 30-INCH DIA OR SMALLER. SEE PLAN  
SHEETS FOR INVERT ELEVATIONS FOR PIPE  
SIZES LARGER THAN 30-INCH DIAMETER.

STATE OF ILLINOIS  
DEPARTMENT OF TRANSPORTATION

**DETAILS - TRENCHES AND SANITARY SEWERS**



USER NAME = 560kar	DESIGNED - SMV	REVISED - 10-01-08
PLOT SCALE = 1:8000 1/2 IN.	DRAWN - KAR	REVISED -
PLOT DATE = 1/5/2009	CHECKED - SMV	REVISED -
	DATE - 06-13-08	REVISED -

SCALE:	SHEET NO. 8 OF 8 SHEETS	STA. TO STA.	F.A. RTE. 338	SECTION 113 N-2	COUNTY WILL	TOTAL SHEETS 260	SHEET NO. 123
			FED. ROAD DIST. NO. ILLINOIS	FAP 338 (IL RTE. 59)		CONTRACT NO. 60E73	

FILE NAME = s:\p114\161258-1459-water-41-design north section\p114\161258-1459-water-manhole\663203 det2.dgn