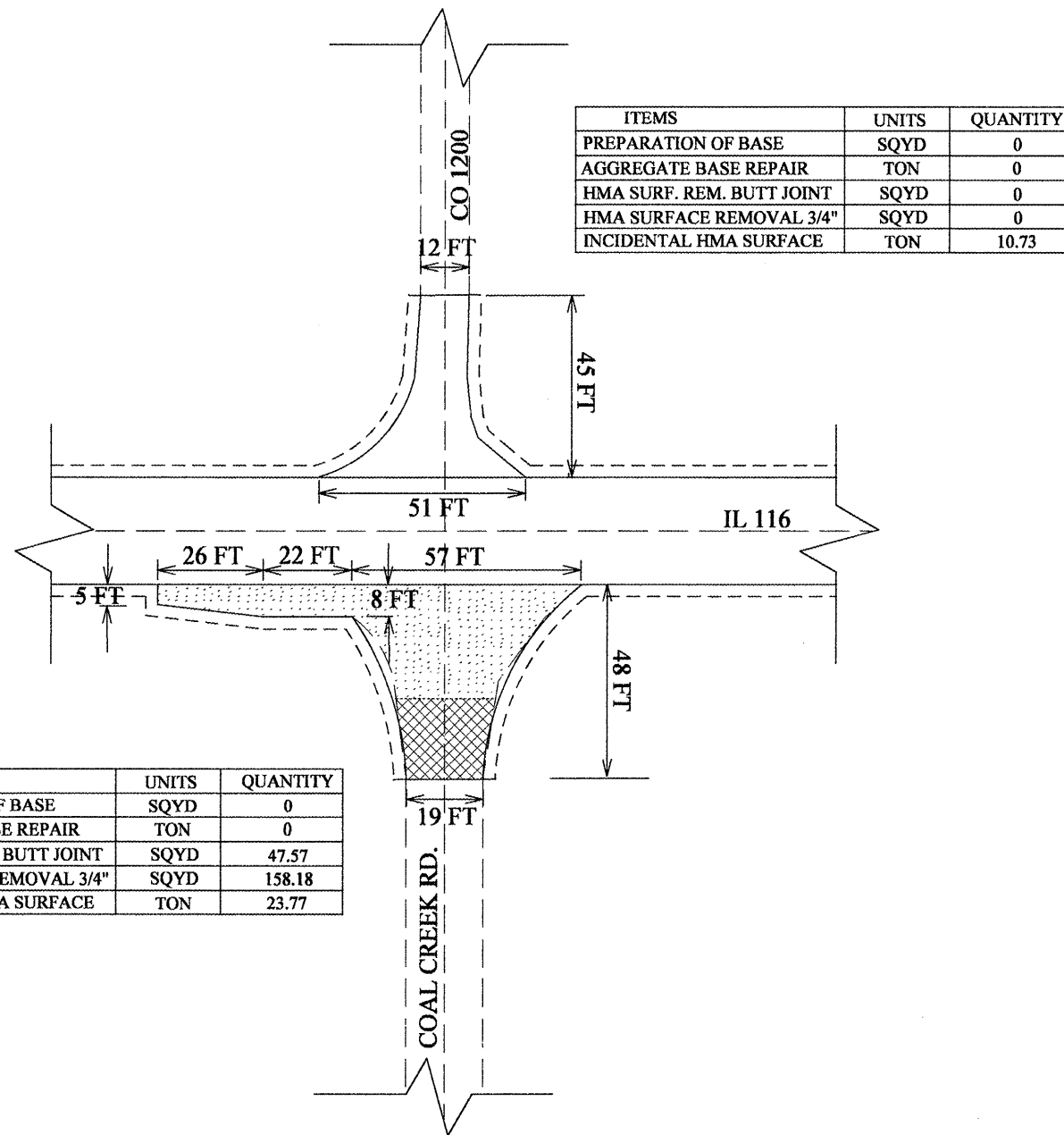


ROUTE	SECTION	COUNTY	TOTAL SHEETS	SHEET NO.
F.A.P. 665	*	FULTON	76	34
MKD. IL 116				

* 142 RS-6; 143[RS-4, (C-3)BR]; 142X(C-1)I

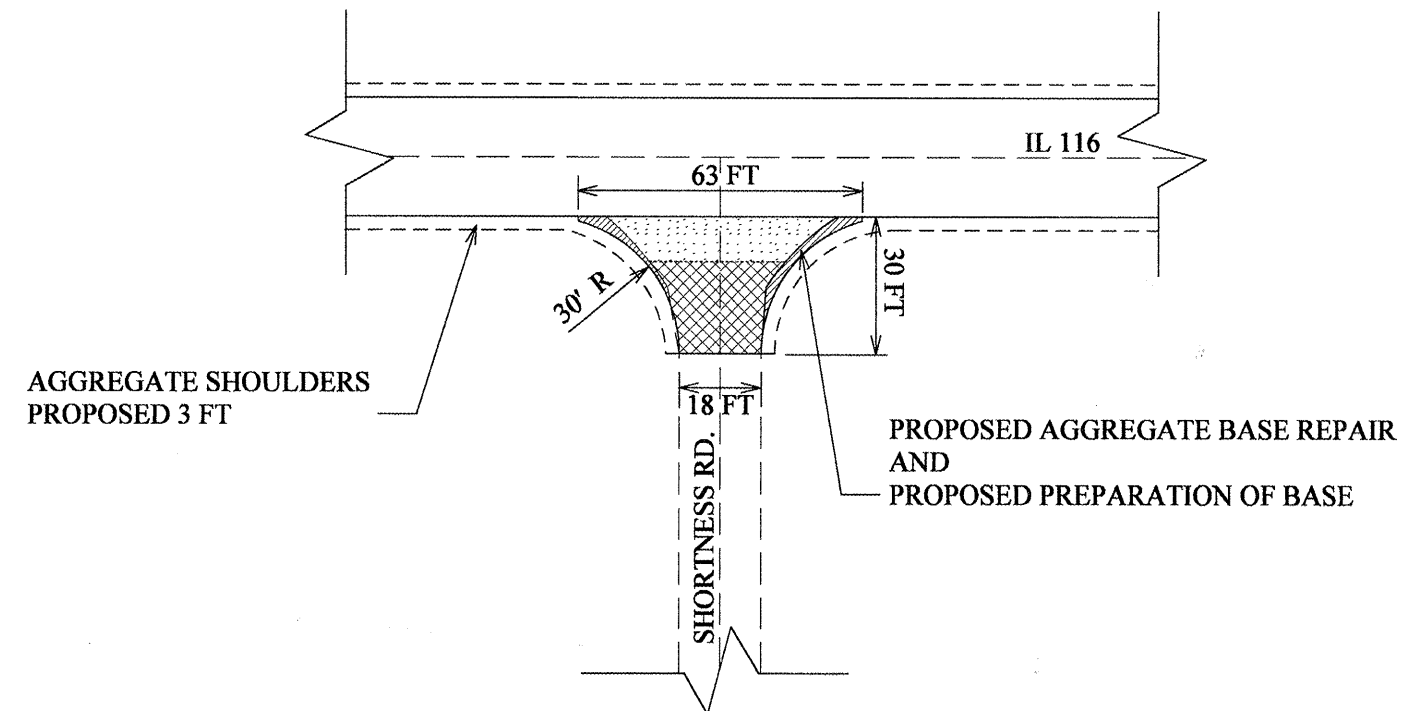


ITEMS	UNITS	QUANTITY
PREPARATION OF BASE	SQYD	0
AGGREGATE BASE REPAIR	TON	0
HMA SURF. REM. BUTT JOINT	SQYD	47.57
HMA SURFACE REMOVAL 3/4"	SQYD	158.18
INCIDENTAL HMA SURFACE	TON	23.77

COAL CREEK RD. AND IL 116, CO 1200 RD AND IL 116
Not to Scale

LEGEND:

- PREPARATION OF BASE
- HMA SURFACE REMOVAL (BUTT JOINT)
- HMA SURFACE REMOVAL 3/4"



AGGREGATE SHOULDERS
PROPOSED 3 FT

PROPOSED AGGREGATE BASE REPAIR
AND
PROPOSED PREPARATION OF BASE

ITEMS	UNITS	QUANTITY
PREPARATION OF BASE	SQYD	11.10
AGGREGATE BASE REPAIR	TON	5.00
HMA SURF. REM. BUTT JOINT	SQYD	47.34
HMA SURFACE REMOVAL 3/4"	SQYD	43.92
INCIDENTAL HMA SURFACE	TON	11.46

SHORTNESS ROAD AND IL 116
Not to Scale

REVISIONS	
NAME	DATE

ILLINOIS DEPARTMENT OF TRANSPORTATION

SIDEROADS DETAILS

SCALE: NOT TO SCALE
DATE 9/24/2003

DRAWN BY LCE
CHECKED BY