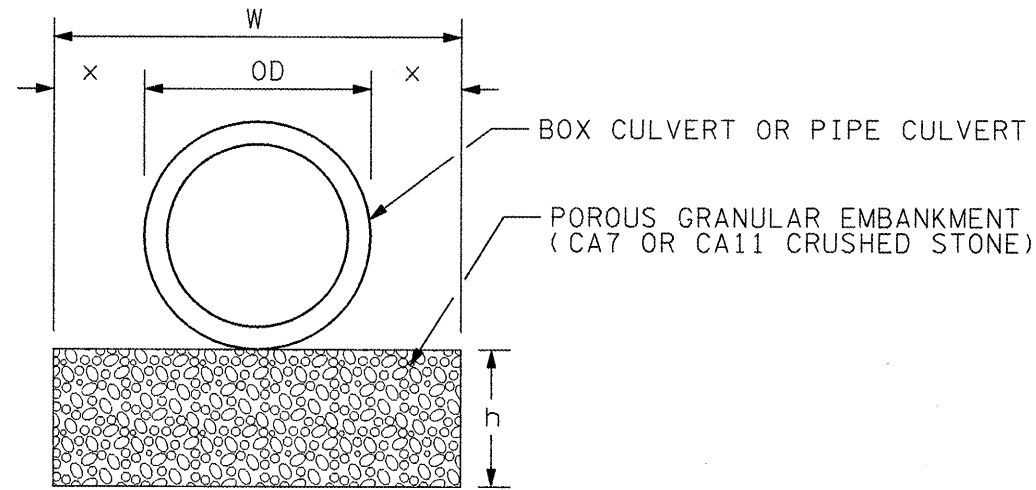
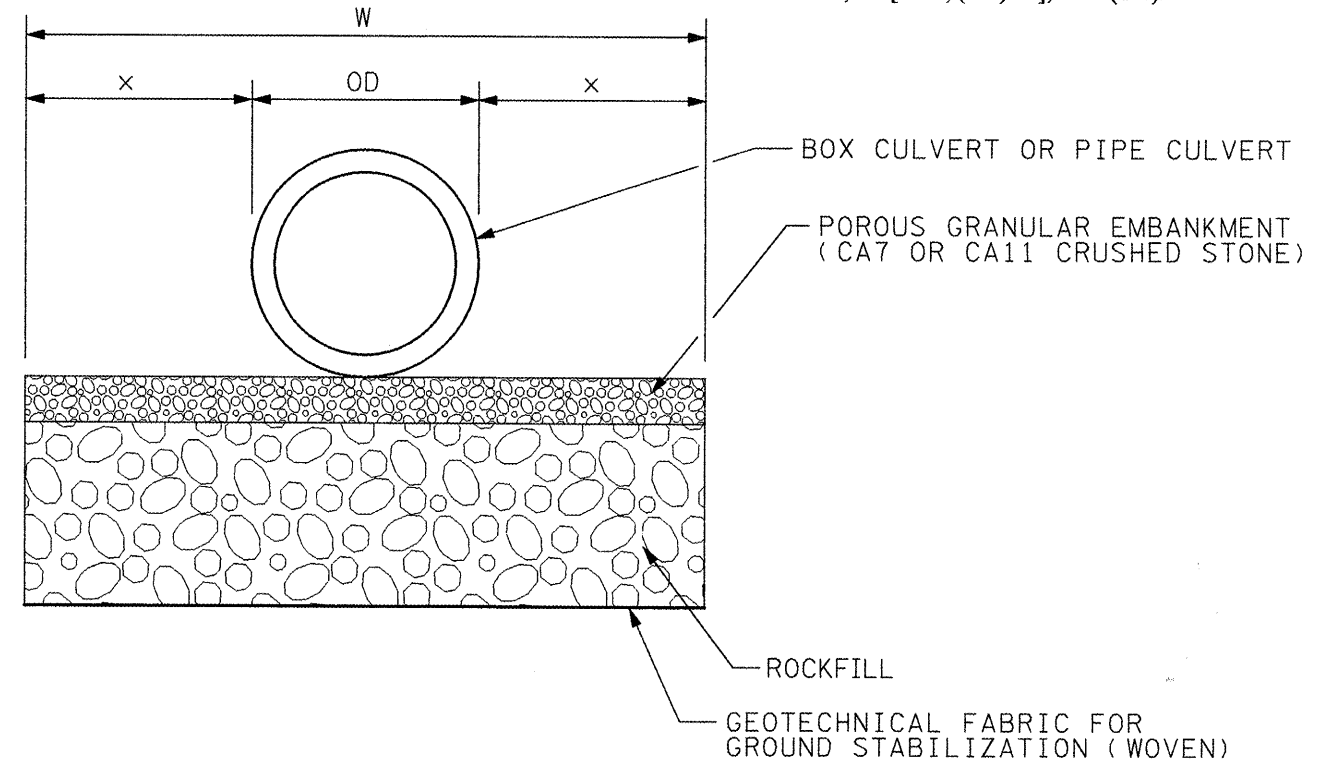


ROUTE	SECTION	COUNTY	TOTAL SHEETS	SHEET NO.
F.A.P. 665	*	FULTON	76	53
MKD. IL 116				

* 142 RS-6; 143[RS-4, (C-3)BR]; 142X(C-1)I



ALTERNATE I: FOR 12" TO 18" UNDERCUT



ALTERNATE II: FOR 18" TO 36" UNDERCUT

CULVERT LOCATION	UNDERCUT			
	DEPTH	WIDTH		
	h	x	OD	W
IL 116: Sta. 240+54.87	24	24	11ft	15ft
London Mills: Sta. 23+70.39	24	24	22ft	26ft

GENERAL NOTES:

- Undercut if the Dynamic Cone Penetrometer tests indicate soil strength is less than 1 ton/sq ft.
- DEFINITIONS:
OD = Outside Diameter or outside width of box culvert
h = Depth of undercut (for precast box culverts, the upper 6" is included in the cost of culvert).
x = h or min. width specified in Sec. 542.04, which ever is greater for pipe culverts.
x = h or minimum 2 feet, which ever is greater for box culverts.
W = Width of undercut = 2x + OD
- For undercuts greater than 36", use Alternate II with undercut treatments as directed by the District Geotechnical Engineer.

All dimensions are in inches (millimeters) unless otherwise noted.

ILLINOIS DEPARTMENT OF TRANSPORTATION		
SPECIAL DETAIL SHEET		
UNSUITABLE EXCAVATION TREATMENT FOR CULVERTS		
SCALE: NOT DRAWN TO SCALE	DRAWN BY HZS	
DATE 9-7-2007	CHECKED BY	

DATE	REVISIONS	BY

DESIGNER NOTES:
2. ASSURE TREATMENT AREAS ARE SHOWN IN PLANS AND ON CROSS SECTIONS.
3. INCLUDE SOIL BORINGS FOR TREATED AREAS.