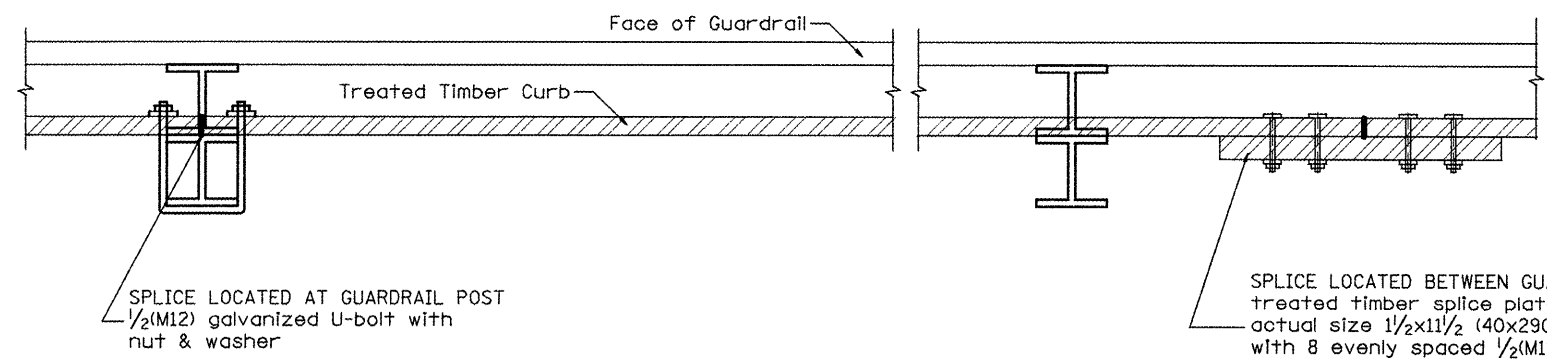
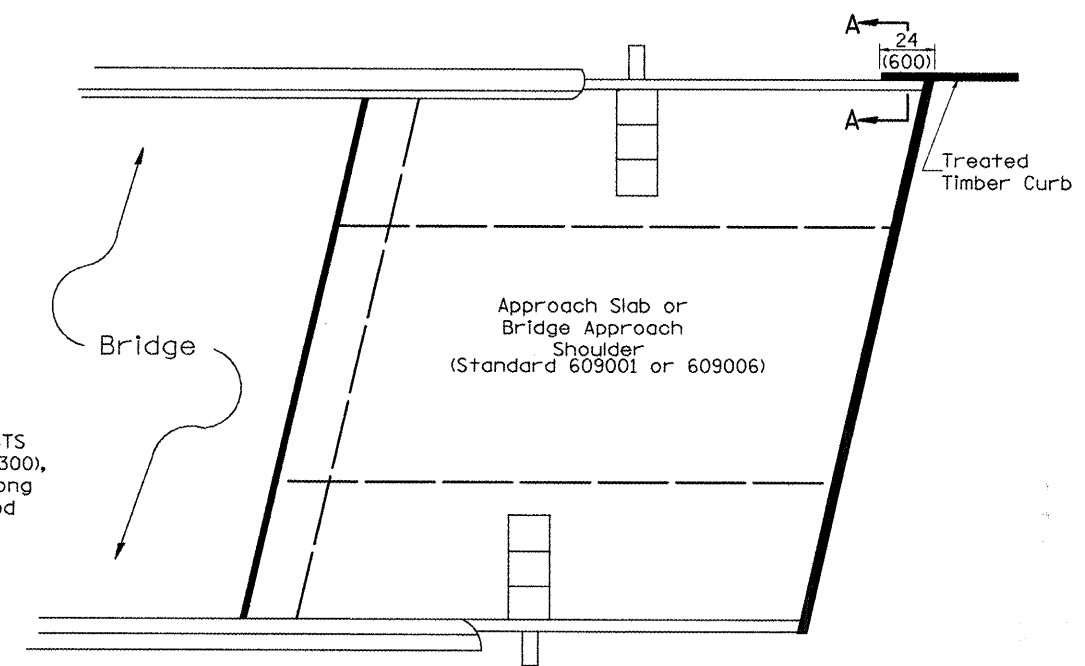


ROUTE	SECTION	COUNTY	TOTAL SHEETS	SHEET NO.
F.A.P. 665	*	FULTON	76	63
MKD. IL 116				

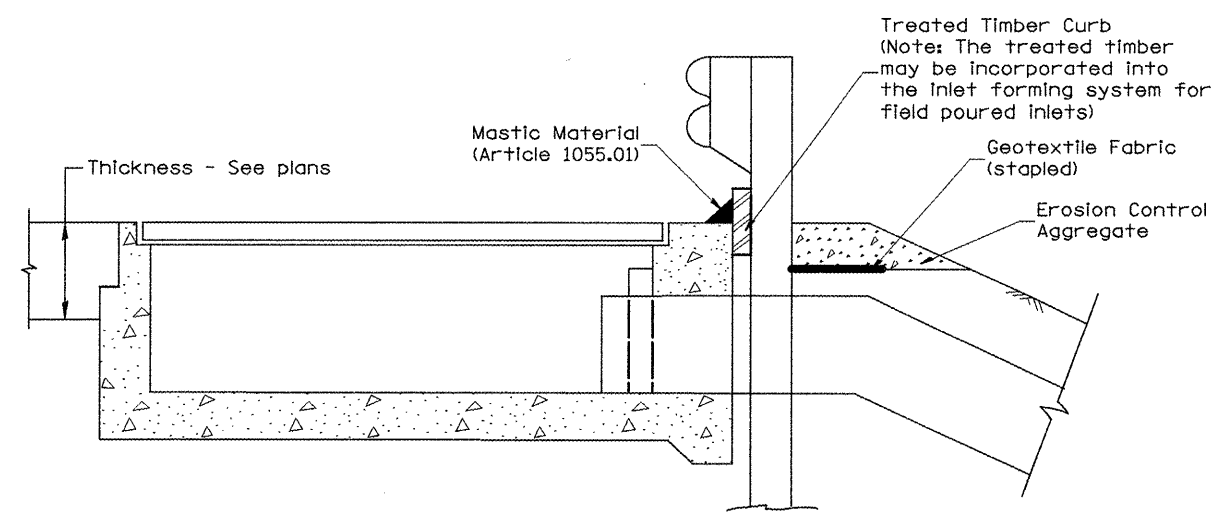
\* 142 RS-6; 143[RS-4, (C-3)BR]; 142X(C-1)



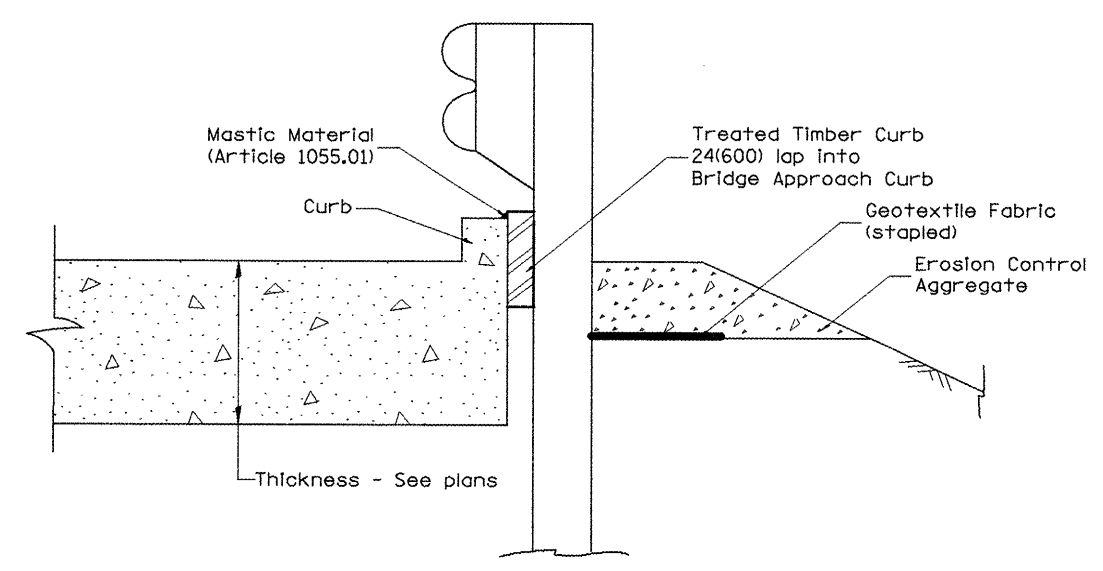
**DETAIL A**  
(Typical Treated Timber Splices)



**PLAN VIEW**  
**APPROACH SLAB OR BRIDGE APPROACH SHOULDER**  
(STANDARD 609001 or 609006)



**TYPICAL SECTION WITH EROSION CONTROL CURB**  
**AT INLETS TYPE E & F (STANDARD 610001)**



**SECTION A-A**  
**TYPICAL SECTION WITH EROSION CONTROL CURB**  
**AT BRIDGE APPROACH CURB**  
(STANDARD 609001 OR 609006)

All dimensions are in Inches (millimeters) unless otherwise noted.

ILLINOIS DEPARTMENT OF TRANSPORTATION	
DISTRICT CADD STANDARD	
GUARDRAIL EROSION CONTROL TREATMENTS	
CADD STD NO. 630101-D4(2)	SHEET 2 OF 2
SCALE: NOT DRAWN TO SCALE	DRAWN BY CADD
	CHECKED BY