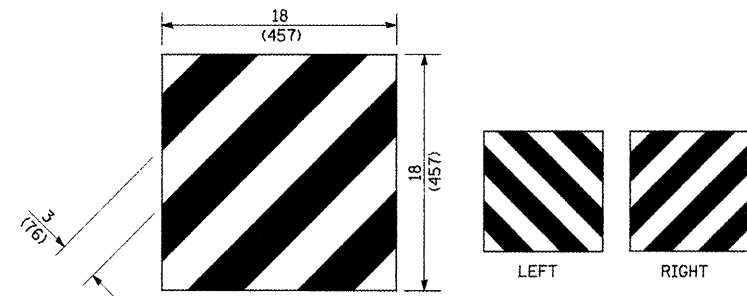
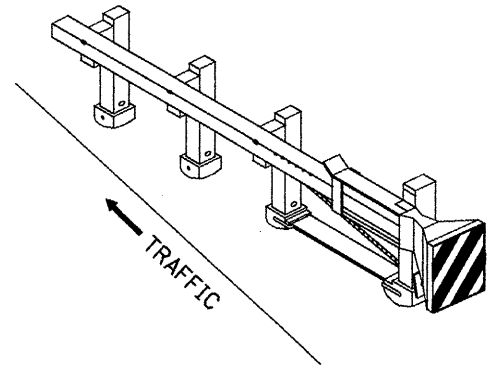


ROUTE		SECTION	COUNTY	TOTAL SHEETS	SHEET NO.
F.A.P.	665				
MKD.	IL 116	*	FULTON	76	65

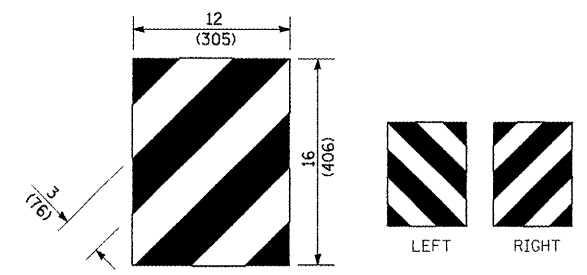
* 142 RS-6; 143[RS-4, (C-3)BR]; 142X(C-1)I



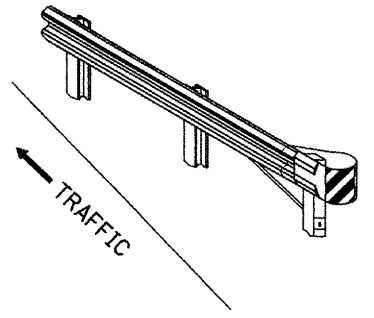
For Traffic Barrier Terminal Type 1 (Special)



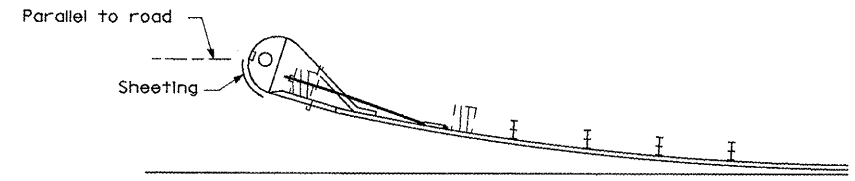
Standard Treatment - Direct Applied Sheeting
Traffic Barrier Terminal Type 1 (Special)



For Traffic Barrier Terminal Type (*)
and Post Mount
* See Plans for Type



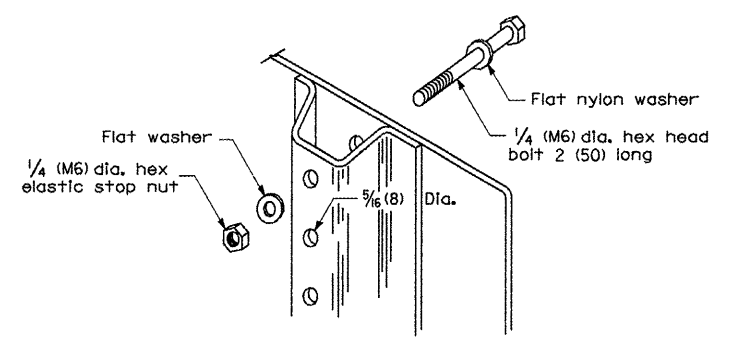
Standard Treatment - Direct Applied Sheeting
Traffic Barrier Terminal Type (*)
* See Plans for Type



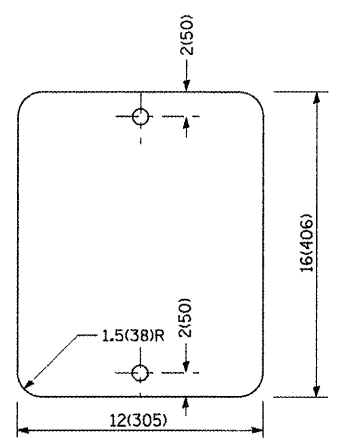
Sheeting Position for
Traffic Barrier Terminal Type (*)
* See Plans for Type

TERMINAL MARKER DETAILS

- Color: Black / Yellow reflectorized
- OM - I100 (L or R) Direct applied reflective sheeting
- OM - I200 (L or R) Post mounted

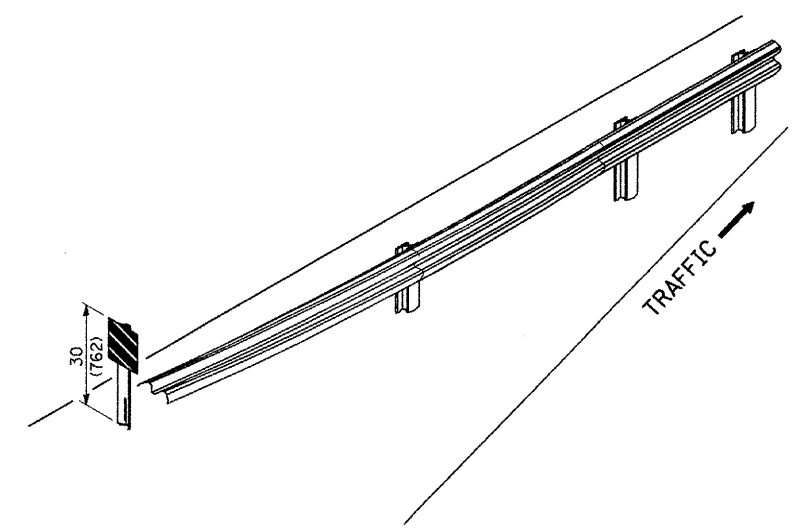


DETAIL OF MOUNTING TERMINAL MARKER TO POST



STANDARD TERMINAL MARKER

POST MOUNTED TERMINAL MARKER ASSEMBLY



ALTERNATE TREATMENT - POST MOUNTED
(For turned-down terminal where sheeting cannot be direct applied)

TERMINAL MARKER TREATMENTS

GENERAL NOTES

All dimensions are in inches (millimeters) unless otherwise noted.

ILLINOIS DEPARTMENT OF TRANSPORTATION	
DISTRICT CADD STANDARD	
GUARDRAIL AND BARRIER WALL DELINEATION	
CADD STD. NO. 635101-D4	SHEET 2 OF 3
SCALE: NOT DRAWN TO SCALE	DRAWN BY CADD CHECKED BY

635101-D4 (2)

\$\$\$DATE\$\$\$