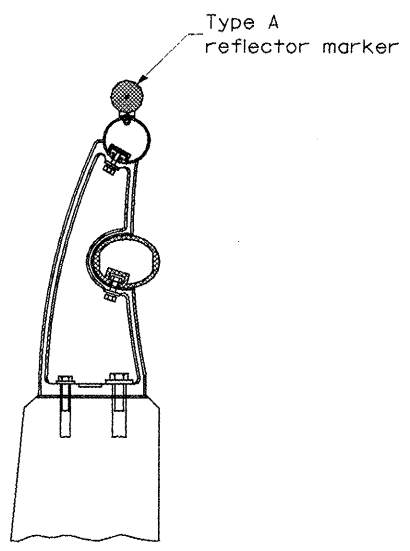
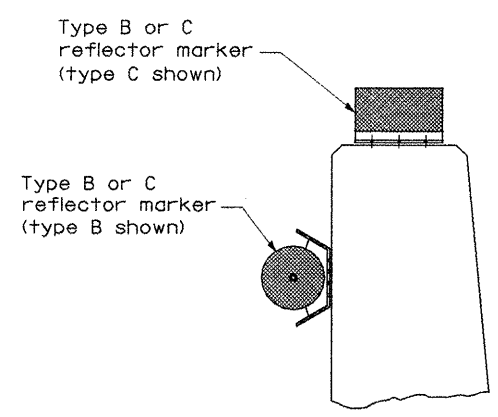


ROUTE	SECTION	COUNTY	TOTAL SHEETS	SHEET NO.
F.A.P. 665	*	FULTON	76	66
MKD. IL 116				

\* 142 RS-6; 143[RS-4, (C-3)BR]; 142X(C-1)

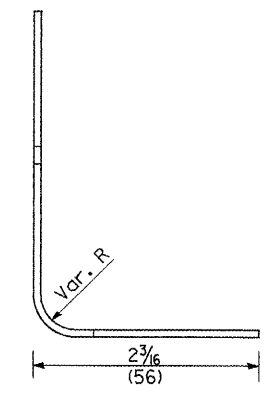
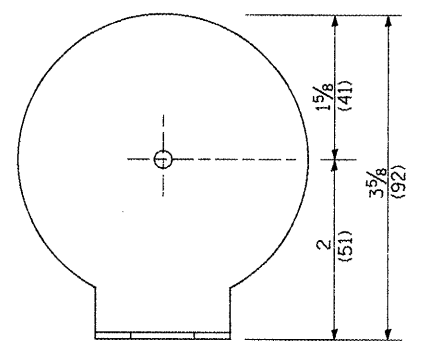
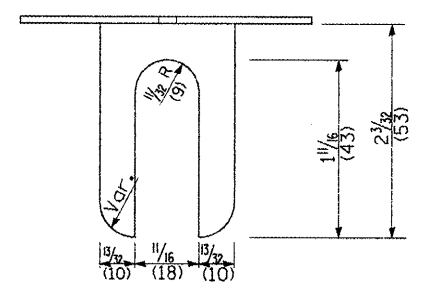


TYPICAL MOUNTING DETAIL FOR BRIDGE RAIL REFLECTOR



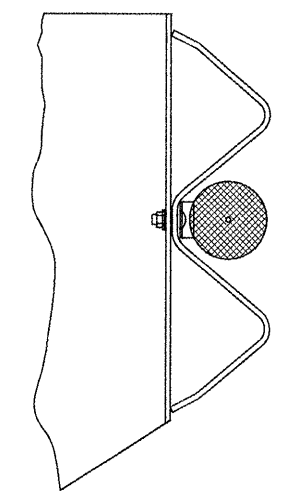
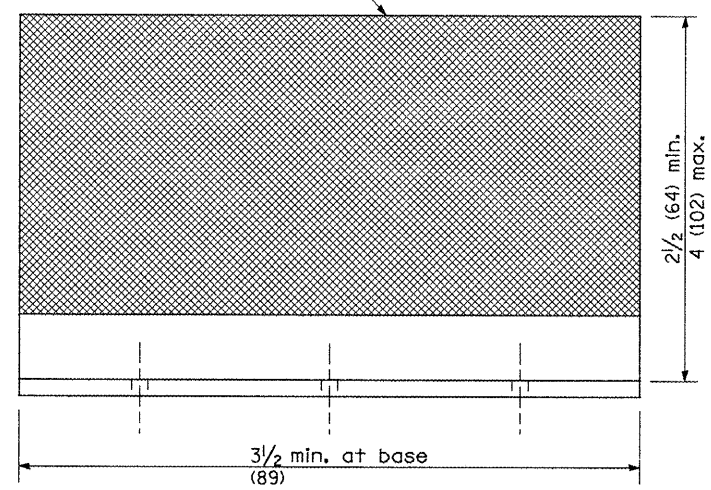
TYPICAL MOUNTING DETAIL FOR BARRIER WALL REFLECTOR

REFLECTOR MOUNTING

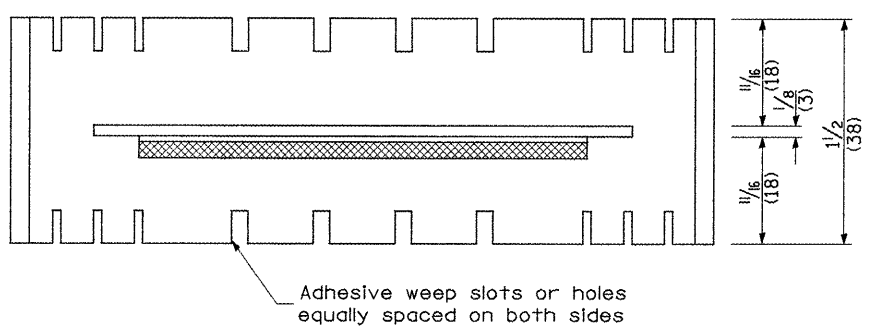


REFLECTOR MARKER TYPE A

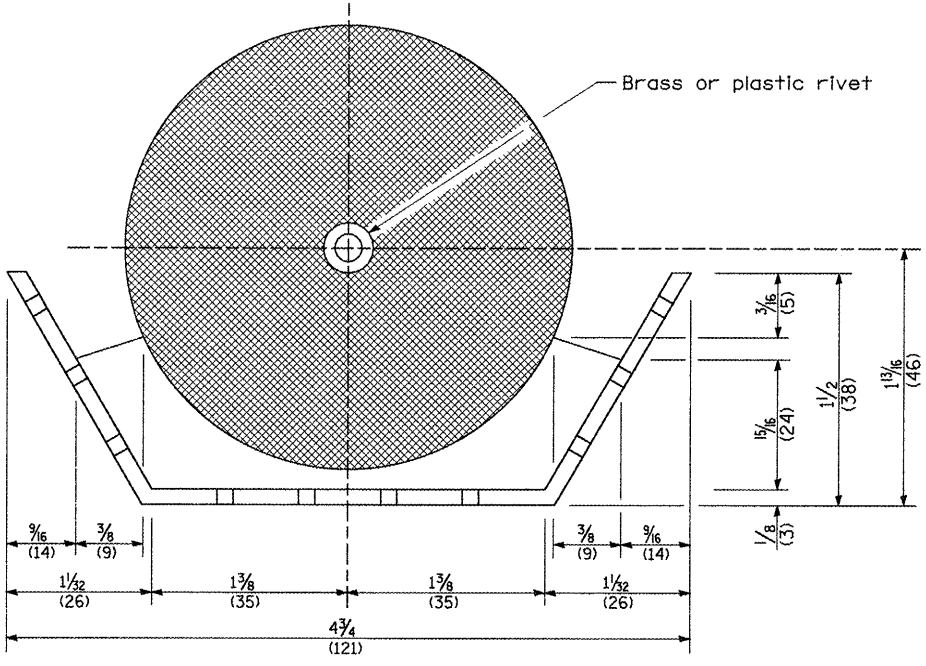
Min. reflective area 6 1/2 sq. in. (4,194 mm<sup>2</sup>) each side. May be rectangular or slight trapezoid.



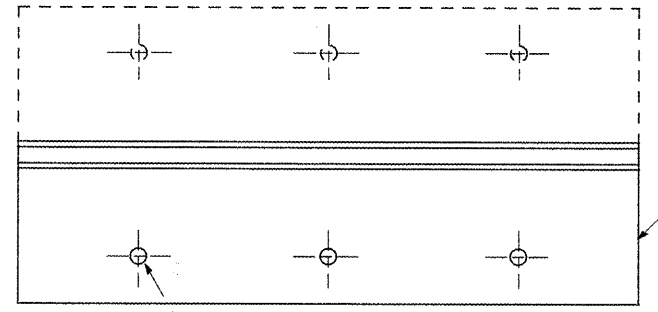
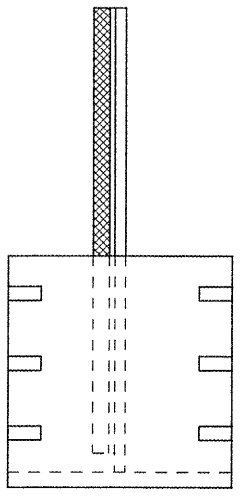
TYPICAL GUARDRAIL MOUNTING WITH REFLECTOR MARKER TYPE A



Adhesive weep slots or holes equally spaced on both sides

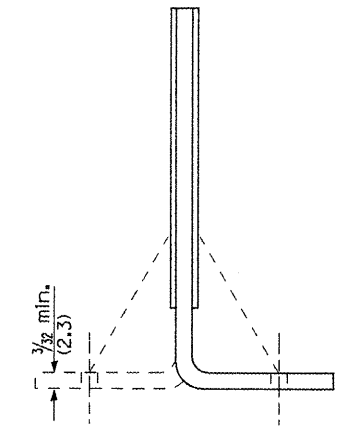


REFLECTOR MARKER TYPE B



REFLECTOR MARKER TYPE C

3 min. adhesive weep holes or slots each side, variable spacing.



Cross section may be "T" or "L" shaped and may have side supports at ends.

REFLECTORS

Minimum total area of base 7.0 Sq. In. (4,516 mm<sup>2</sup>)

All dimensions are in inches (millimeters) unless otherwise noted.

ILLINOIS DEPARTMENT OF TRANSPORTATION  
 DISTRICT CADD STANDARD  
 GUARDRAIL AND BARRIER WALL DELINEATION  
 CADD STD. NO. 635101-D4 SHEET 3 OF 3  
 SCALE: NOT DRAWN TO SCALE DRAWN BY CADD CHECKED BY