

URBAN
 CONSTR. CODE
 80% FED.
 20% STATE
 ROADWAY
 0040
 URBAN

CODE NO.	ITEM	UNIT	TOTAL QUANTITY	URBAN
* X7010216	TRAFFIC CONTROL AND PROTECTION, (SPECIAL)	L SUM	1	1
* Z0013798	CONSTRUCTION LAYOUT	L SUM	1	1
* Z0023602	GRANULAR CULVERT BACKFILL	CU YD	238	238
△ Z0073510	TEMPORARY TRAFFIC SIGNAL TIMING	EACH	5	5
* Z0030850	TEMPORARY INFORMATION SIGNING	SO FT	69	69

4

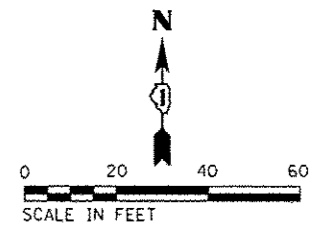
* SPECIAL PROVISION REQUIRED.

△ Rev. 4-6-15

FILE NAME =	USER NAME = marnack	DESIGNED - JH	REVISED -	STATE OF ILLINOIS DEPARTMENT OF TRANSPORTATION	SUMMARY OF QUANTITIES				F.A.U. RTE.	SECTION	COUNTY	TOTAL SHEETS	SHEET NO.
Y:\12053 100T DI W03 IL7\DDH\Design\Pre\1\1\10sheet\0162446-sh1-5002.dgn	DRAWN - MW	REVISOR -			2688	3349-1	COOK	16	4				
PLOT SCALE = 100.0000' / 1"	CHECKED - PJK	REVISOR -			CONTRACT NO. 62A46								
Default	PLOT DATE = 2/23/2015	DATE - 2/20/2015	REVISED -		SCALE:	SHEET OF SHEETS	STA. TO STA.	ILLINOIS FED. AID PROJECT					

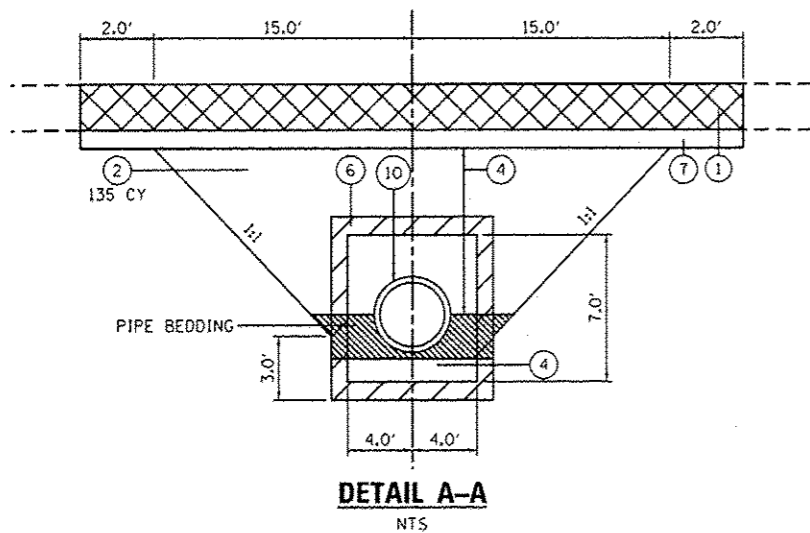
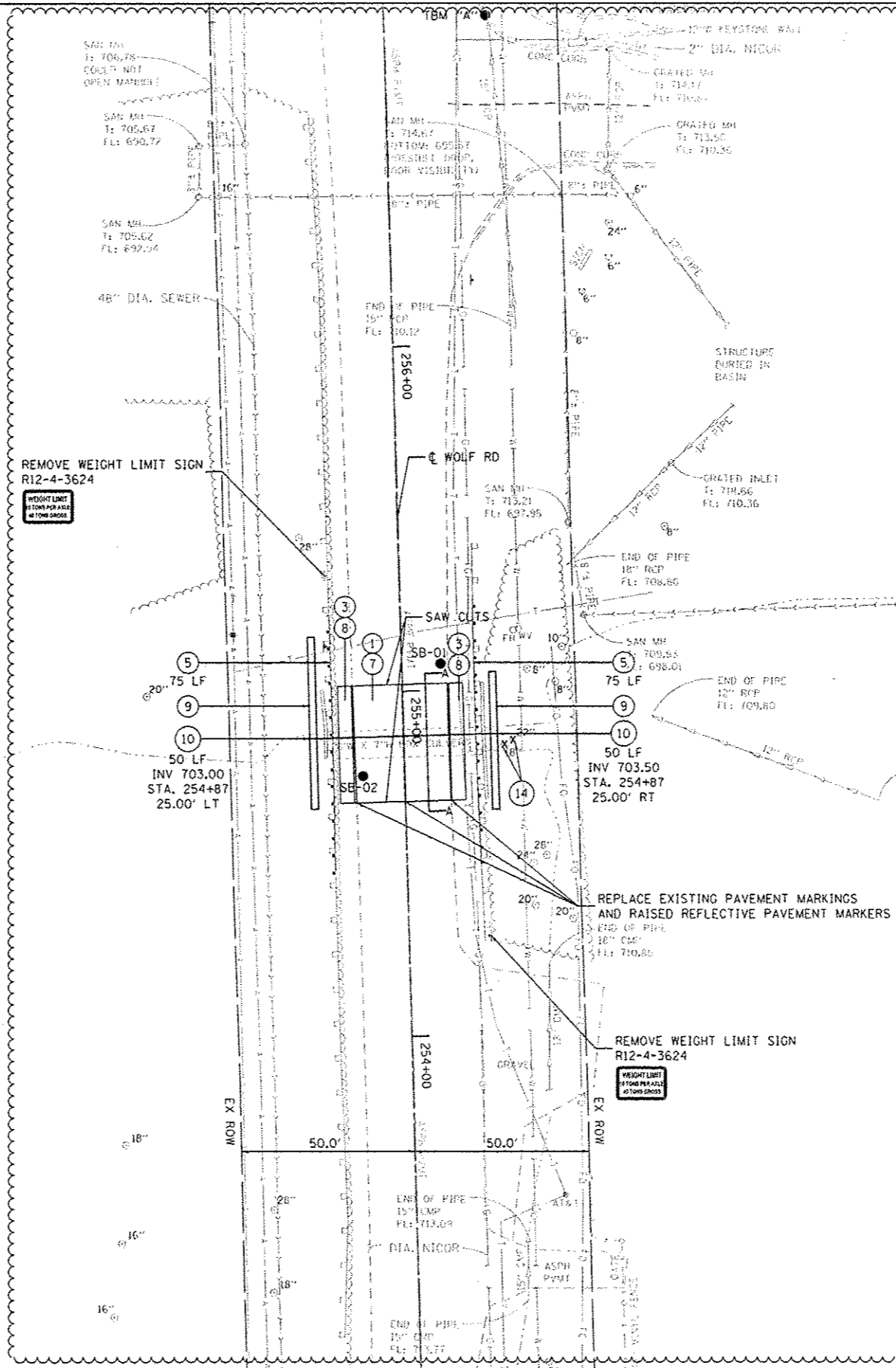
LEGEND

- ① CLASS D PATCHES, TYPE IV, 13 INCH (44201809, SO YD)
- ② EARTH EXCAVATION (20200100, CU YD)
- ③ REMOVE EXISTING AGGREGATE SHOULDER (PAID AS EARTH EXCAVATION)
- ④ GRANULAR CULVERT BACKFILL (Z0023602, CU YD)
- ⑤ REMOVE AND REERECT STEEL PLATE BEAM GUARDRAIL, TYPE A (63301210, LF)
- ⑥ CONCRETE REMOVAL (50102400, CY YD)
- ⑦ AGGREGATE SUBGRADE IMPROVEMENT 12" (30300112, SO YD)
- ⑧ AGGREGATE SHOULDERS, TYPE A 8" (48100700, SO YD)
- ⑨ SHEET PILING RETAINING WALL (SEE STRUCTURAL PLANS)
- ⑩ PIPE CULVERTS, CLASS A, TYPE 2 48" (542A1093, LF)
- ⑪ PERIMETER EROSION BARRIER (28000400, FOOT)
- ⑫ TOPSOIL FURNISH AND PLACE, 6" (21101625, SO YD)
- ⑬ SEEDING, CLASS 2A (25000210, ACRE)
- ⑭ TREE REMOVAL (OVER 15 UNITS DIAMETER) (20100210, UNIT)
- ⑮ INLET AND PIPE PROTECTION (28000500, EACH)



NOTES

- 1. EARTH EXCAVATION PAY ITEM INCLUDES PLACING AND COMPACTING EMBANKMENT AND LEGAL OFFSITE DISPOSAL OF EXCESS MATERIAL.
- 2. EXCAVATION REQUIRED TO REMOVE THE EXISTING CULVERT WILL BE PAID AS EARTH EXCAVATION TO THE LIMITS SHOWN ON ROADWAY PLAN DETAIL A-A.



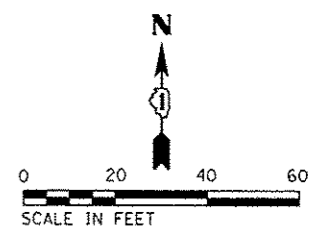
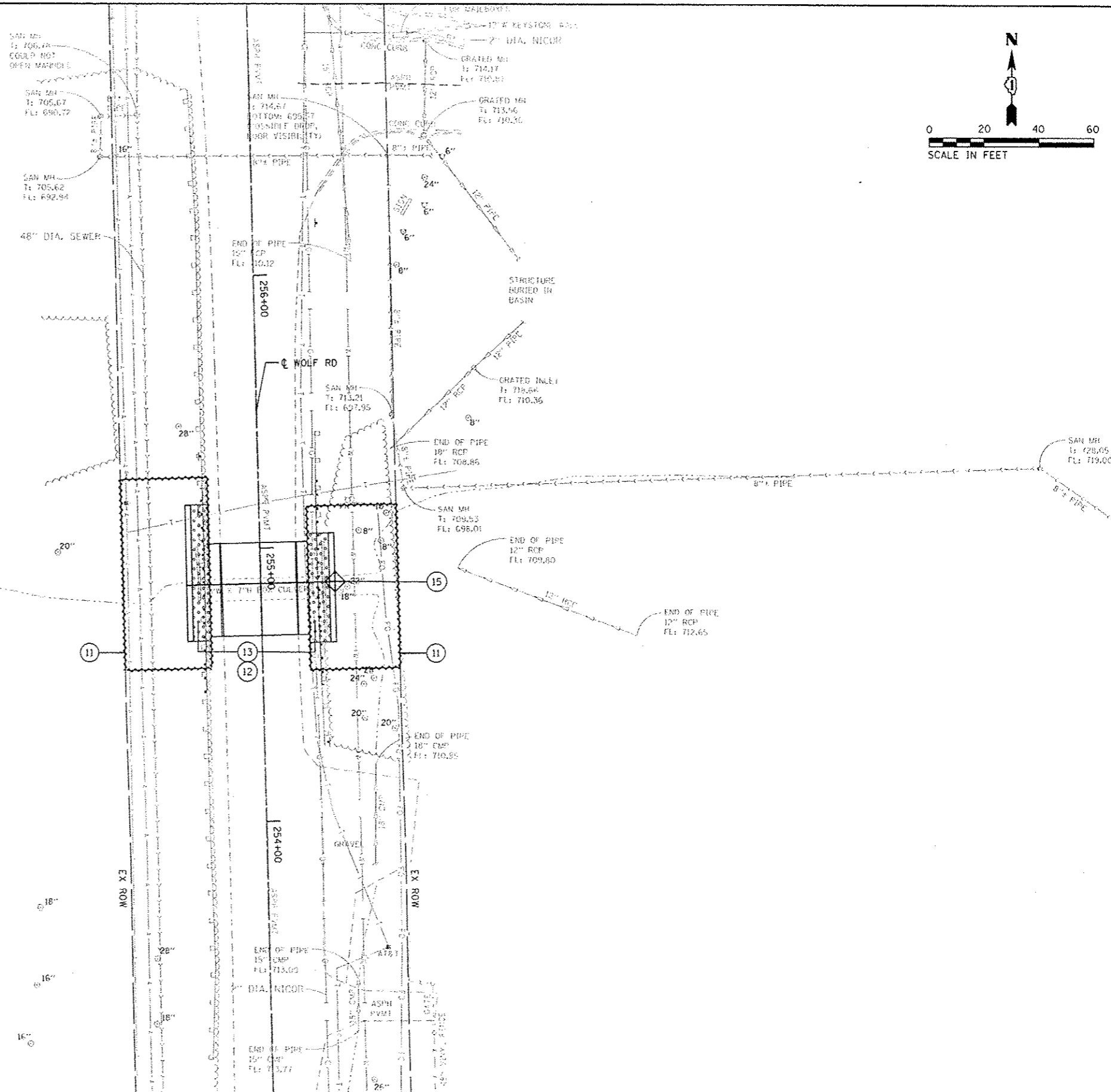
FILE NAME: Y:\13853 IDOT D1 W03 IL7\DCM\Design\Pro	USER NAME: a.wernock	DESIGNED - JH	REVISED - 4/3/2015	STATE OF ILLINOIS DEPARTMENT OF TRANSPORTATION	ROADWAY PLANS	F.A.U. RTE. 2688	SECTION 3349-1	COUNTY COOK	TOTAL SHEETS 16	SHEET NO. 7
Default	PLOT SCALE: 40,0000 / in.	CHECKED - PJK	DATE - 2/20/2015	SCALE: SHEET OF SHEETS STA. TO STA.		CONTRACT NO. 62A46 ILLINOIS FED. AID PROJECT				

LEGEND

- ① CLASS D PATCHES, TYPE IV, 13 INCH (44201809, SO YD)
- ② EARTH EXCAVATION (20200100, CU YD)
- ③ REMOVE EXISTING AGGREGATE SHOULDER (PAID AS EARTH EXCAVATION)
- ④ GRANULAR CULVERT BACKFILL (20023602, CU YD)
- ⑤ REMOVE AND REERECT STEEL PLATE BEAM GUARDRAIL, TYPE A (63301210, LF)
- ⑥ CONCRETE REMOVAL (50102400, CY YD)
- ⑦ AGGREGATE SUBGRADE IMPROVEMENT 12" (30300112, SO YD)
- ⑧ AGGREGATE SHOULDERS, TYPE A 8" (48100700, SO YD)
- ⑨ SHEET PILING RETAINING WALL (SEE STRUCTURAL PLANS)
- ⑩ PIPE CULVERTS, CLASS A, TYPE 2 48" (542A1093, LF)
- ⑪ PERIMETER EROSION BARRIER (28000400, FOOT)
- ⑫ TOPSOIL FURNISH AND PLACE, 6" (21101625, SO YD)
- ⑬ SEEDING, CLASS 2A (25000210, ACRE)
- ⑭ TREE REMOVAL (OVER 15 UNITS DIAMETER) (20100210, UNIT)
- ⑮ INLET AND PIPE PROTECTION (28000500, EACH)

NOTES

NO WORK SHALL BE ALLOWED OUTSIDE THE LIMITS OF SHEET PILING OTHER THAN THE EROSION CONTROL BLANKET.



FILE NAME : Y:\13853 1001 01 W03 1L7\DCM\Design\Pre	USER NAME : mwarneck	DESIGNED - JH	REVISED 4/3/2015
	m\Plotsheets\DI62A46-eh-eros.dgn	DRAWN - MW	REVISED -
Default	PLOT SCALE : 48.0000' / in.	CHECKED - PJK	REVISED -
	PLOT DATE : 4/3/2015	DATE - 2/20/2015	REVISED -

**STATE OF ILLINOIS
DEPARTMENT OF TRANSPORTATION**

EROSION AND SEDIMENT CONTROL PLANS

SCALE: SHEET OF SHEETS STA. TO STA.

F.A.U. RTE. 2688	SECTION 3349-1	COUNTY COOK	TOTAL SHEETS 16	SHEET NO. 10
CONTRACT NO. 62A46				
ILLINOIS FED. AID PROJECT				