

6-00784-0500

80F / 20S
SIDEWALK / ADA
0021
URBAN

CODE NO.	ITEM	UNIT	TOTAL QUANTITY	
60603800	COMBINATION CONCRETE CURB AND GUTTER, TYPE B-6.12	FOOT	143	143
60604400	COMBINATION CONCRETE CURB AND GUTTER, TYPE B-6.18	FOOT	21	21
60605000	COMBINATION CONCRETE CURB AND GUTTER, TYPE B-6.24	FOOT	453	453
* 66900105	UNDERGROUND STORAGE TANK REMOVAL	EACH	1	1
* 66900200	NON-SPECIAL WASTE DISPOSAL	CU YD	110	110
* 66900530	SOIL DISPOSAL ANALYSIS	EACH	6	6
* 66901001	REGULATED SUBSTANCES PRE-CONSTRUCTION PLAN	LSUM	1	1
* 66901003	REGULATED SUBSTANCES FINAL CONSTRUCTION REPORT	LSUM	1	1
* 66901006	REGULATED SUBSTANCES MONITORING	CAL DA	12	12
67000400	ENGINEER'S FIELD OFFICE, TYPE A	CAL MO	12	12
67100100	MOBILIZATION	L SUM	1	1
△ 70100500	TRAFFIC CONTROL AND PROTECTION, STANDARD 701326	L SUM	1	1
70102620	TRAFFIC CONTROL AND PROTECTION, STANDARD 701501	L SUM	1	1
70102640	TRAFFIC CONTROL AND PROTECTION, STANDARD 701801	L SUM	1	1

△

* SPECIALTY ITEM

△ REV. 4-6-2020

REV. - MS

MODEL: Default
 FILE NAME: I:\Information\del Illinois.gov\PROJECTS\PROJECTS\0072645\CAD\Drawings\0072115.dwg, 500.dwg
 PROJECT: 0072645

USER NAME = jackca	DESIGNED -	REVISED -
	DRAWN -	REVISED -
PLOT SCALE = 100.000' / in.	CHECKED -	REVISED -
PLOT DATE = 2/4/2020	DATE -	REVISED -

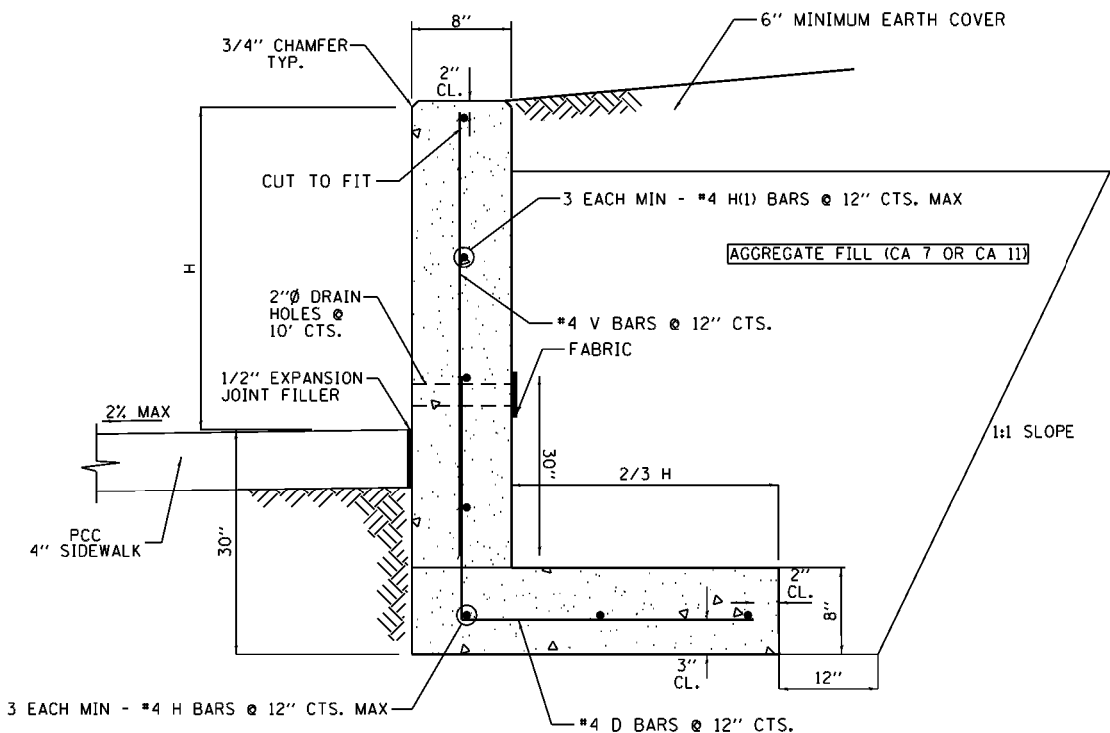
STATE OF ILLINOIS
DEPARTMENT OF TRANSPORTATION

SUMMARY OF QUANTITIES

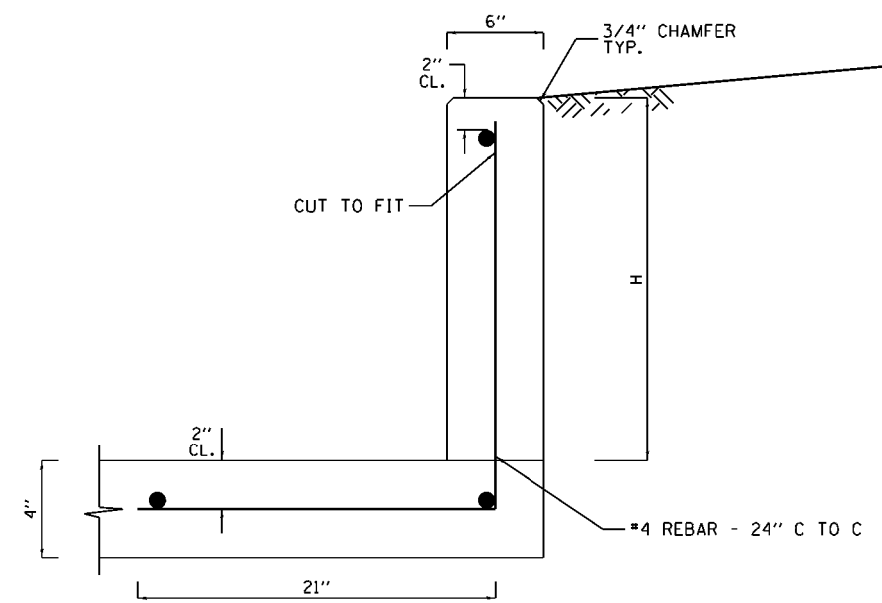
SCALE: SHEET OF SHEETS STA. TO STA.

F.A. RTE.	SECTION	COUNTY	TOTAL SHEETS	SHEET NO.
*	(21, 104, 105) SW	MONTGOMERY	35	4
			CONTRACT NO. 72K45	
		ILLINOIS	FED. AID PROJECT	

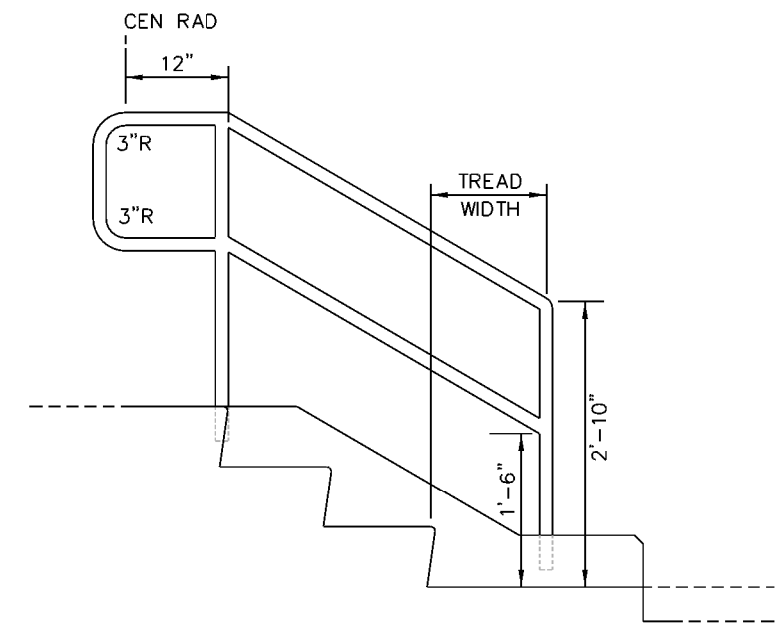
* FAP 42A, FAP 325 (IL 127, IL 16)



CONCRETE STRUCTURE (RETAINING WALL) DETAIL



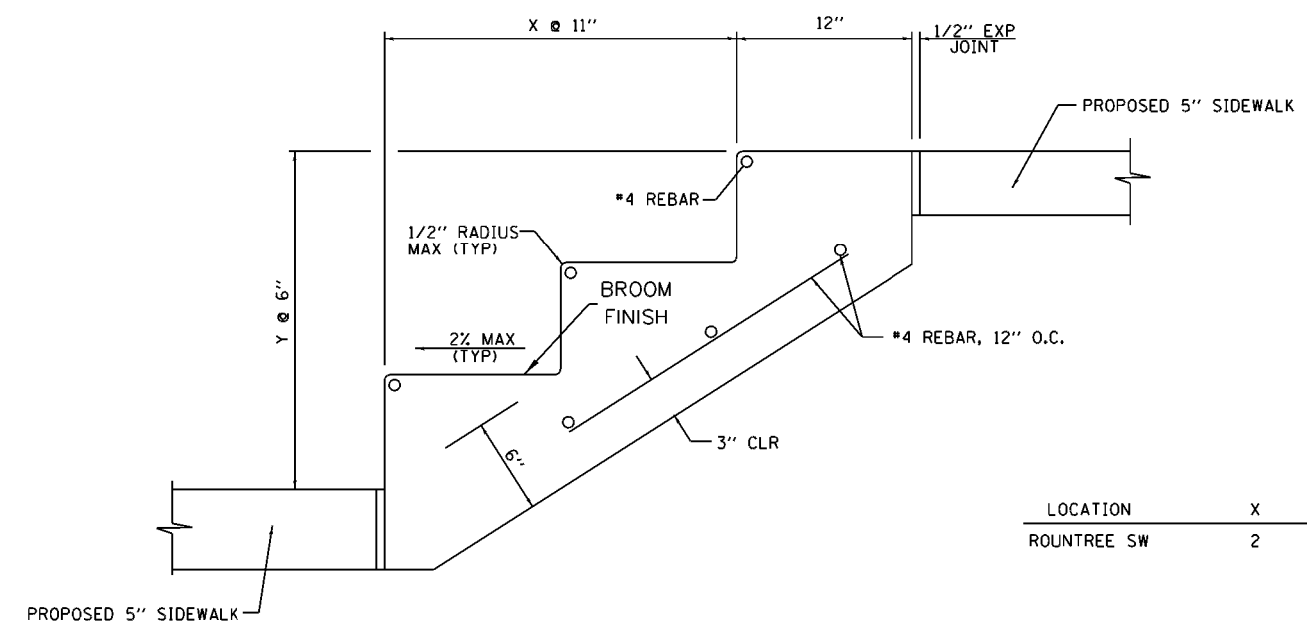
CONCRETE CURB, TYPE B. SPECIAL DETAIL



PIPE HANDRAIL DETAIL



1. REINFORCEMENT BARS SHALL CONFORM TO THE REQUIREMENTS OF SECTION 508 OF THE STANDARD SPECIFICATIONS. THE COST OF FURNISHING AND INSTALLING ALL REINFORCEMENT SHALL BE INCLUDED IN THE COST PER CU. YD. OF CONCRETE STRUCTURES AND CONCRETE STEPS RESPECTIVELY.
2. WHEN TYING INTO EXISTING RETAINING WALL, 1 1/2" DIAMETER DOWEL BARS SHALL BE USED. THE COST OF FURNISHING AND INSTALLING ALL DOWEL BARS SHALL BE INCLUDED IN THE COST PER CU. YD. OF CONCRETE STRUCTURES.
3. CONCRETE FOR WALLS AND STEPS SHALL BE CLASS SI CONCRETE. ALL WORK SHALL BE PERFORMED IN ACCORDANCE WITH SECTION 503 OF THE STANDARD SPECIFICATIONS. THE EXPOSED FACES OF WALLS SHALL BE A TEXTURED FINISH. FORM LINERS SHALL BE USED ON THE EXPOSED VERTICAL FACES AS DIRECTED AND APPROVED BY THE ENGINEER. ALL TRENCHES, REINFORCEMENT AND FORMWORK SHALL BE APPROVED BY THE ENGINEER PRIOR TO POURING CONCRETE WALLS OR FOOTINGS. THE COST OF CONSTRUCTING RETAINING WALLS AND STEPS IN PLACE, INCLUDING ALL FORM WORK, FORM LINERS, TRENCHING, EXCAVATIONS, BACKFILL AND JOINT FILLERS SHALL BE INCLUDED IN THE COST PER CU. YD. OF CONCRETE STRUCTURES AND CONCRETE STEPS RESPECTIVELY.
4. CONTRACTOR SHALL BE RESPONSIBLE FOR ANY EARTH RETENTION SYSTEMS AS REQUIRED TO CONSTRUCT WALLS TO PREVENT PROPERTY DAMAGE. ANY PROPERTY DAMAGE SHALL BE REPAIRED PER SECTION 107 OF THE STANDARD SPECIFICATIONS.



EXTERIOR CONCRETE STEPS DETAIL

LOCATION	X	Y
ROUNTREE SW	2	3

REV. 4-6-2020