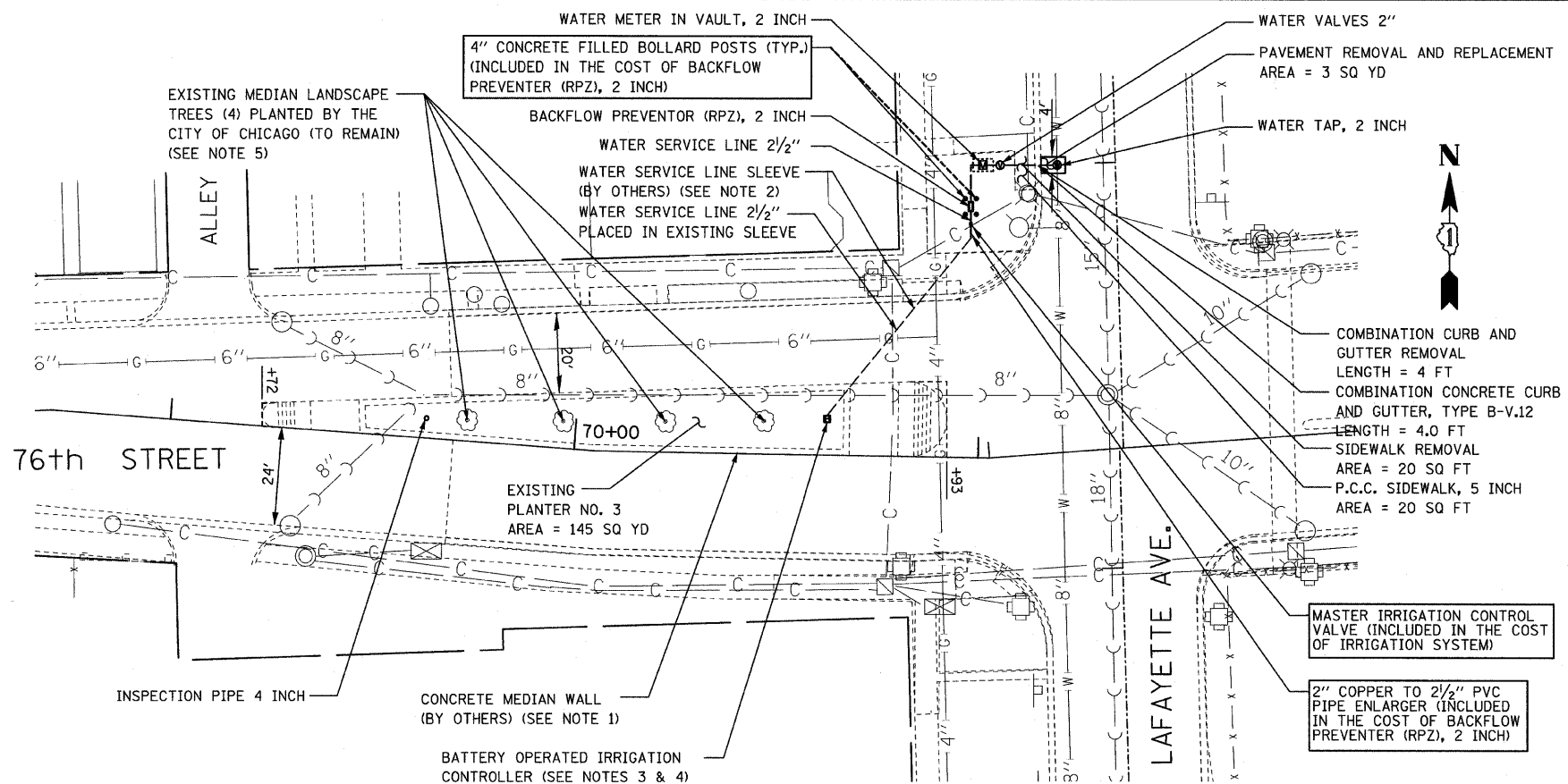
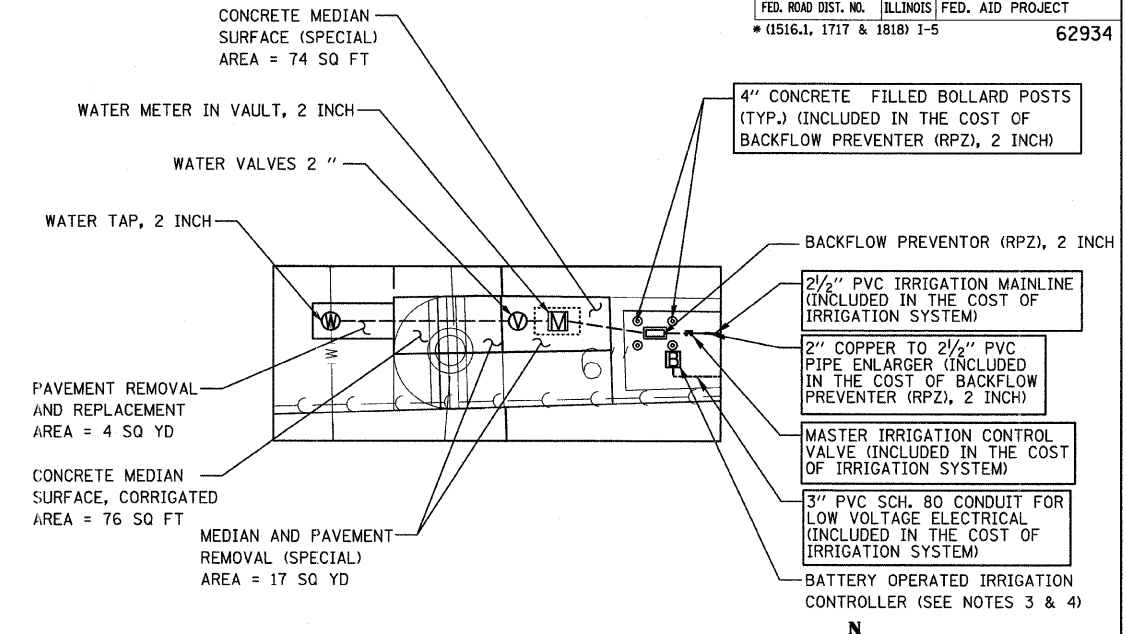


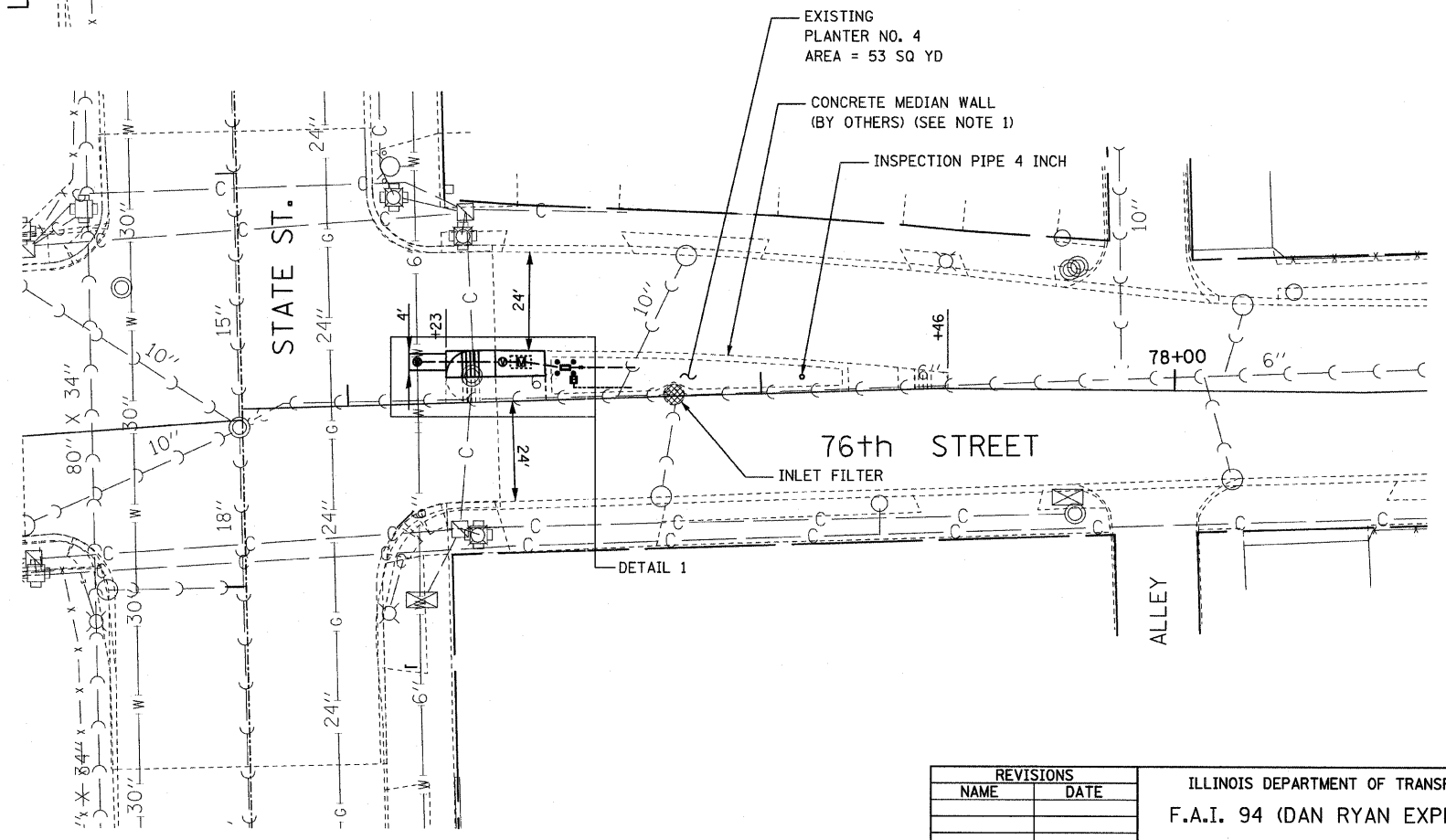
F.A.I. RTE.	SECTION	COUNTY	TOTAL SHEETS	SHEET NO.
94	*	COOK	22	12
STA.		TO STA.		
FED. ROAD DIST. NO.		ILLINOIS	FED. AID PROJECT	
* (1516.1, 1717 & 1818) 1-5		62934		



MEDIAN PLANTER #3 ALONG WEST 76TH ST. AT LAFAYETTE AVE.
 SCALE: 1" = 20'



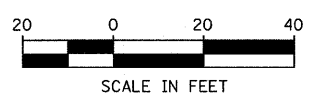
DETAIL 2 - PROPOSED LANDSCAPE MEDIAN PLAN
 SCALE: 1" = 10'



MEDIAN PLANTER #4 ALONG EAST 76TH ST. AT STATE ST.
 SCALE: 1" = 20'

NOTES

1. CONCRETE MEDIAN WALL AND CONCRETE MEDIANS WERE CONSTRUCTED BY CONTRACT NO. 62695 (17B).
2. WATER SERVICE LINE SLEEVE UNDER PAVEMENT AND/OR SIDEWALK WAS INSTALLED BY CONTRACT NO. 62695 (17B).
3. BATTERY OPERATED IRRIGATION CONTROLLER SHALL BE INCLUDED IN THE COST OF IRRIGATION SYSTEM.
4. PLACEMENT OF BATTERY OPERATED IRRIGATION CONTROLLER AND THE INSPECTION PIPE TO BE COORDINATED WITH TREE PLACEMENT.
5. TREE LOCATION IN THE WEST 76TH STREET MEDIAN PLANTERS WERE PROVIDED BY THE CITY OF CHICAGO.



REVISIONS	
NAME	DATE

ILLINOIS DEPARTMENT OF TRANSPORTATION
 F.A.I. 94 (DAN RYAN EXPRESSWAY)
**76TH STREET
 MEDIAN PLAN**
 SCALE: AS NOTED
 DATE: JANUARY 30, 2008
 DRAWN BY: WHI
 CHECKED BY: JCM

FILE: L:\6592.02\Cad\Sheets\Contract\176\659202_76th_Median_176.dgn

