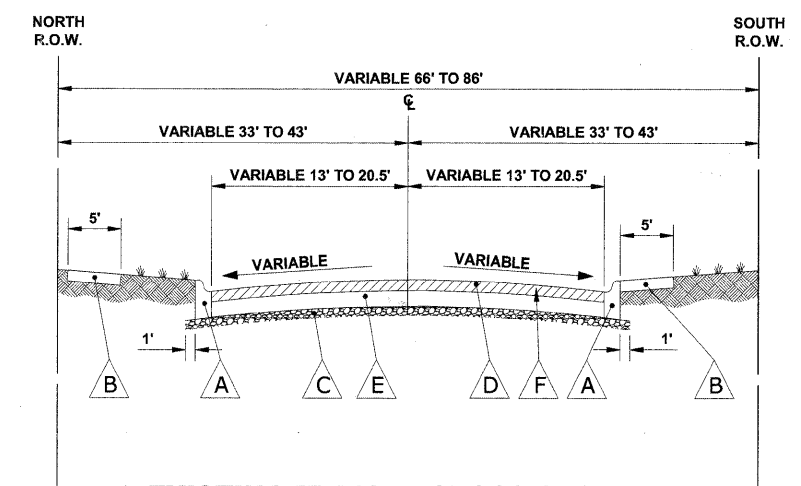
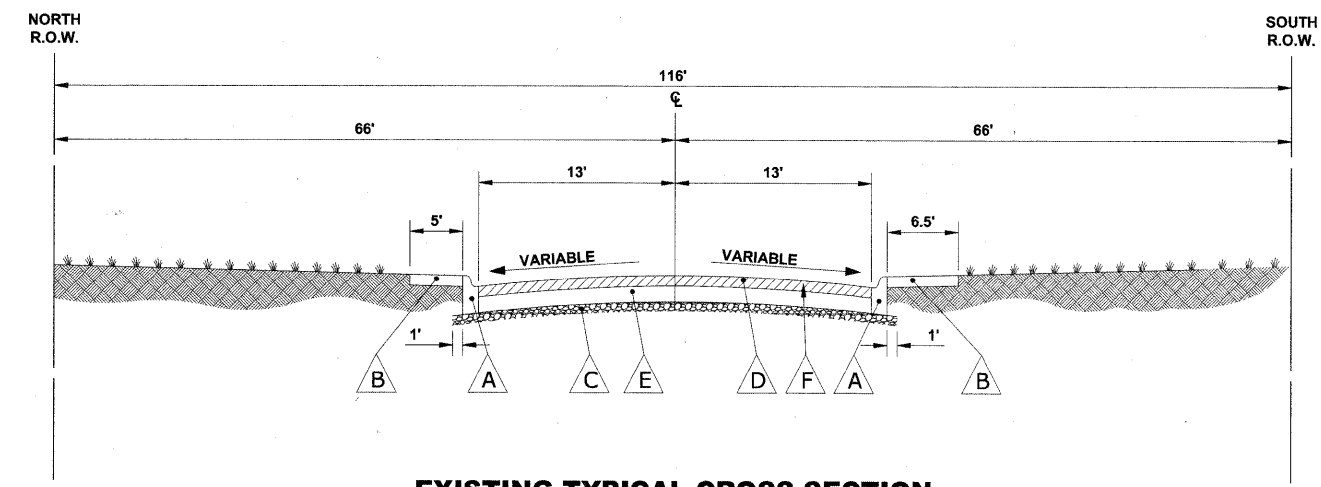


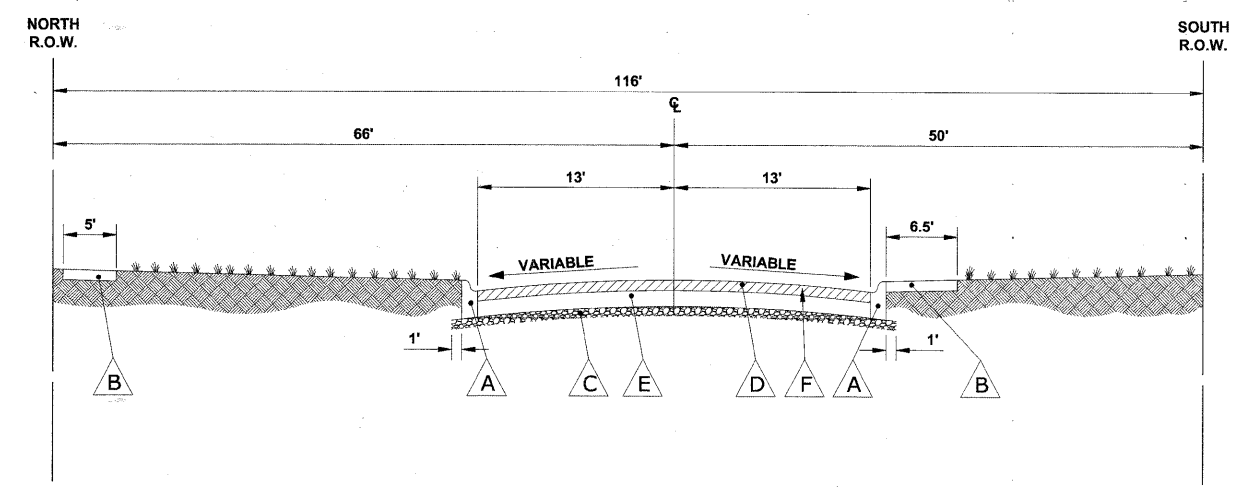
EXISTING TYPICAL CROSS SECTION
 WASHINGTON AVENUE
 STATION 100+75 TO STATION 102+80
 STATION 112+70 TO STATION 131+65



EXISTING TYPICAL CROSS SECTION
 WASHINGTON AVENUE
 STATION 131+65 TO STATION 132+95



EXISTING TYPICAL CROSS SECTION
 WASHINGTON AVENUE
 STATION 104+20 TO STATION 106+65



EXISTING TYPICAL CROSS SECTION
 WASHINGTON AVENUE
 STATION 106+65 TO STATION 112+70

LEGEND OF SYMBOLS

SYMBOL	DESCRIPTION
A	EXISTING COMBINATION CONCRETE CURB & GUTTER, TYPE B-6.24
B	EXISTING PORTLAND CEMENT CONCRETE SIDEWALK, 5"
C	EXISTING SUB-BASE GRANULAR MATERIAL, 4"
D	EXISTING HOT-MIX ASPHALT SURFACE COURSES, 3-1/2" & VARIABLE
E	EXISTING CONCRETE BASE COURSE, 8"
F	PROPOSED HOT-MIX ASPHALT SURFACE REMOVAL, 2-1/2"

HANCOCK ENGINEERING
 Civil Engineers
 Municipal Consultants
 Established 1911

9933 Roosevelt Road
 Westchester, Illinois 60154-2780
 Phone: 708/865-0300
 Fax: 708/865-1212

**WASHINGTON AVENUE
 PROJECT NO. M- 8003(902)
 VILLAGE SECTION 07-00123-00-RS
 VILLAGE OF BROOKFIELD, ILLINOIS**

**EXISTING TYPICAL
 CROSS SECTIONS**

SCALE:	NONE	SHEET 5 OF 20
DRAWN BY:	LEV/MK	
BOOK NO.:	SCANS/BP/LS	
DATE:	1-16-08	
REVISION:	E.H.E. NO.: 125-07-13601	