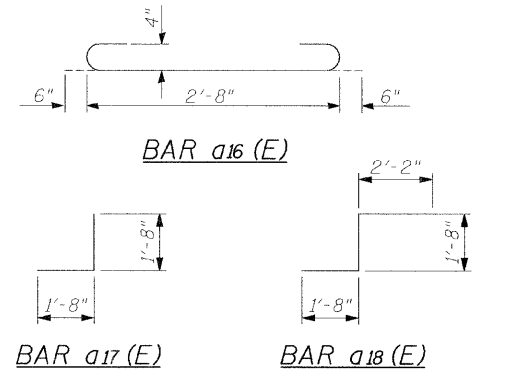
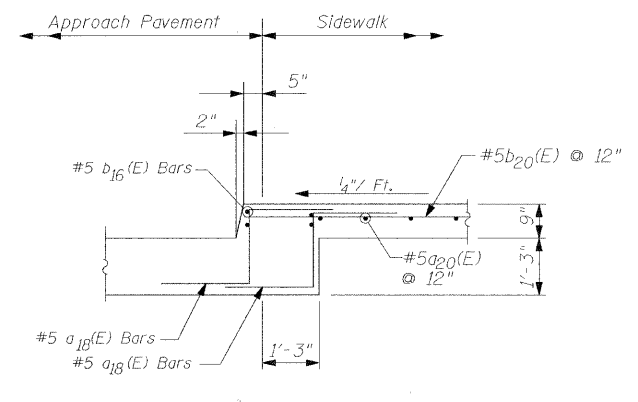
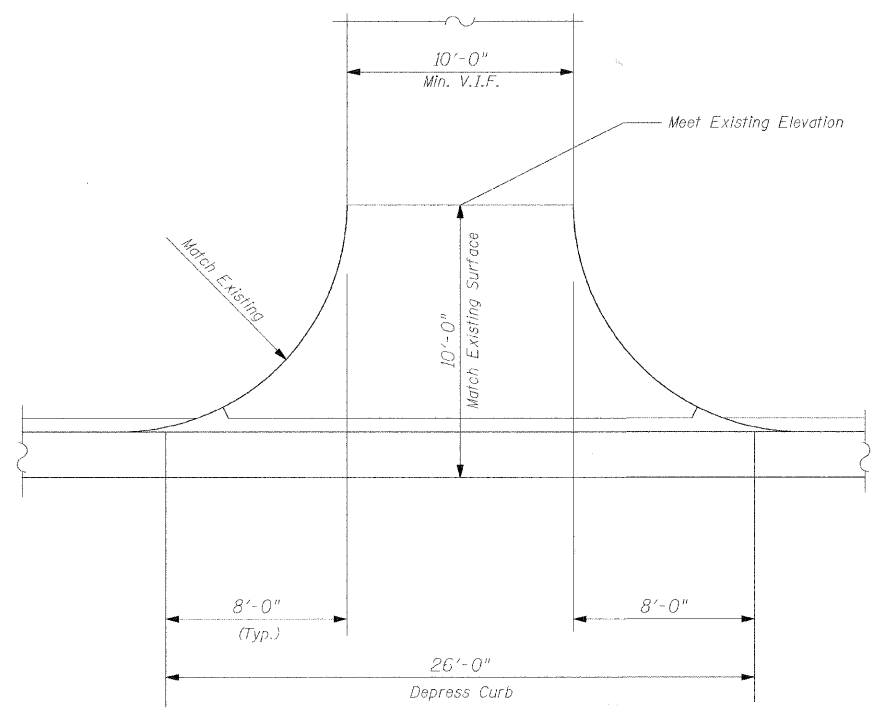
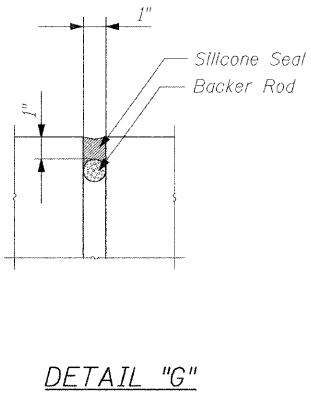
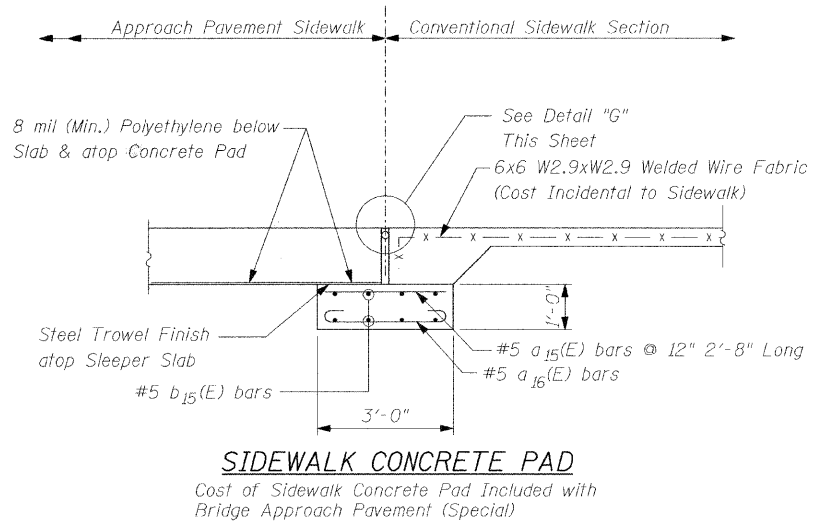


F.A.U. RTE.	SECTION	COUNTY	TOTAL SHEETS	SHEET NO.
1248	99-00080-00-BR	LAKE	46	12
STA. 185+96	TO STA. 189+70			
FED. ROAD DIST. NO.	ILLINOIS	FED. AID PROJECT		

63020



**BILL OF MATERIAL**

Item	Unit	Total
P.C.C Sidewalk, 5" (Special)	Sq. Yd.	520
P.C.C Driveway Pavement, 8"	Sq. Yd.	40

**WJE**  
 Wiss, Janney, Elstner Associates, Inc.  
 Engineers, Architects, Material Scientists  
 330 Pfingsten Road, Northbrook, IL 60062  
 (847) 272-7400, Fax: (847) 291-4813  
 WJE No. 2006.2324

**THE CITY OF LAKE FOREST**  
 CHARTERED 1861

ILLINOIS DEPARTMENT OF TRANSPORTATION  
 BUREAU OF LOCAL ROADS AND STREETS

PROJECT:  
**OLD ELM ROAD OVER EAST SKOKIE DITCH**  
 TITLE:  
**SIDEWALK & PRIVATE ENTRANCE DETAILS**

△					
△					
△					
△					
△					
△					
REV. NO.	DATE	REVISION RECORD	MADE BY	CHECKED BY	SCALE: N.T.S. DRAWN BY: IMG DATE: JANUARY 2008 CHECKED BY: NSA

DATE: 2/6/2008 FILENAME: p:\2006\2801-2400\2006.2324-manderson-old elm design\microstation-final\c-12.dgn