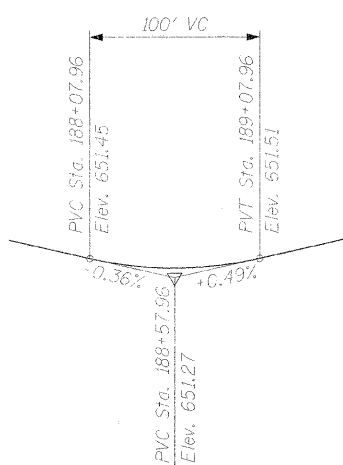
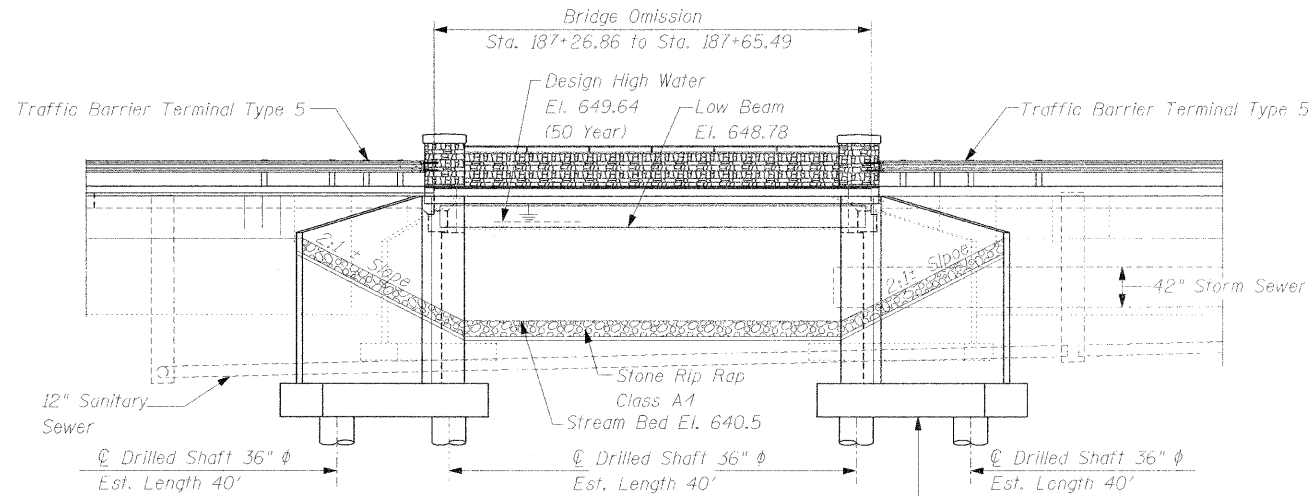


Benchmark # 17:
Standard City of Lake Forest Control
Monument-Brass Disk in Concrete,
Elevation 652.329 (USGS)

Existing Structure:
Structure Number 049-6863 (Existing)
049-6870 (Proposed) single span
35'-3 3/4"± back to back of abutment,
40'-0" out to out reinforced concrete
slab and beams on closed abutments.
Construction date 1925, widened and
resurfaced 1967.
Existing structure to be removed.
Traffic will be detoured during construction
No Salvage

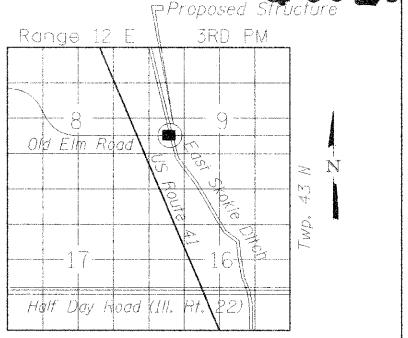


FAST SKOKIE DITCH
BUILT 200_ BY
THE CITY OF LAKE FOREST
SEC. 99-00080-00-BR
STATION 187+46
STR. NO. 049-6870 LOADING HL-93

NAME PLATE
See Std. 515001

F.A.U. RTE.	SECTION	COUNTY	TOTAL SHEETS	SHEET NO.
1248	99-00080-00-BR	LAKE	46	13
STA.	TO STA.			
FED. ROAD DIST. NO.	ILLINOIS	FED. AID PROJECT		

Sheet S-1 of S-29



LOADING HL-93
Allow 50#/sq. ft. for future wearing surface.

DESIGN SPECIFICATIONS
2004 AASHTO LRFD Bridge Design Specifications
with 2005 and 2006 Interims.

DESIGN STRESSES
FIELD UNITS
f_c = 4,000 psi
f_y = 60,000 psi (reinforcement)
f_y = 50,000 psi (structural steel)

SEISMIC DATA
Seismic Performance Zone (SPZ) = A
Bedrock Acceleration Coefficient (A) = 0.04 g
Site Coefficient (S) = 1.2

I CERTIFY THAT TO THE BEST OF MY KNOWLEDGE,
INFORMATION AND BELIEF, THIS BRIDGE DESIGN IS
STRUCTURALLY ADEQUATE FOR THE DESIGN LOADING
SHOWN ON THE PLANS. THE DESIGN IS AN ECONOMIC
ONE FOR THE STYLE OF STRUCTURE AND COMPLIES
WITH REQUIREMENTS OF THE CURRENT "AASHTO
STANDARD SPECIFICATIONS FOR HIGHWAY BRIDGES".



11/30/08
3/11/08
SIGNATURE: *Neil S. Anderson* EXPIRATION DATE

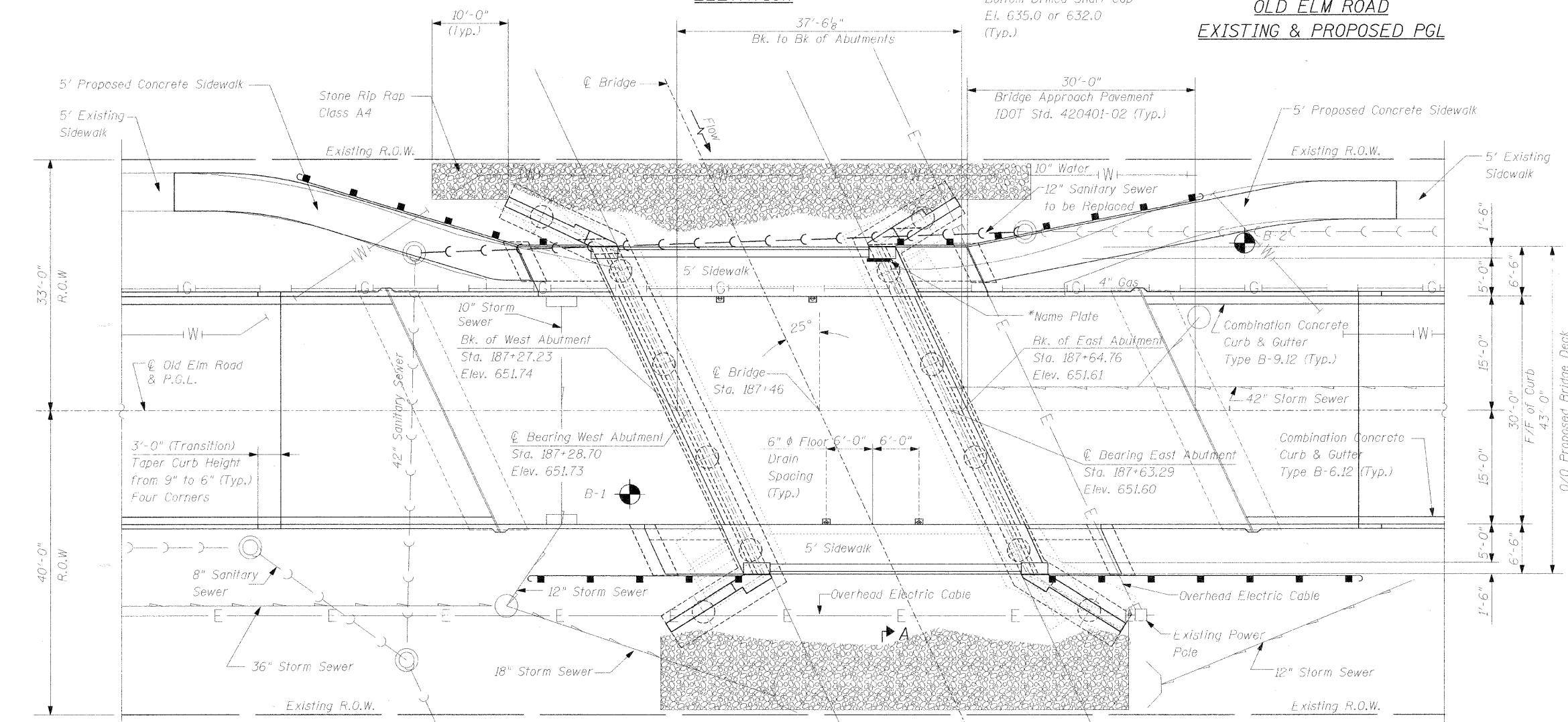
WJE Wiss, Janney, Elstner Associates, Inc.
Engineers, Architects, Material Scientists
330 Pingsten Road, Northbrook, IL 60062
(847) 272-7400, Fax: (847) 291-4813
WJE No. 2006.2324

THE CITY OF LAKE FOREST
CHARTERED 1861

ILLINOIS DEPARTMENT OF TRANSPORTATION
BUREAU OF LOCAL ROADS AND STREETS
PROJECT:
OLD ELM ROAD OVER EAST SKOKIE DITCH
STA. 187+46 LAKE COUNTY
STRUCTURE NO. 049-6870

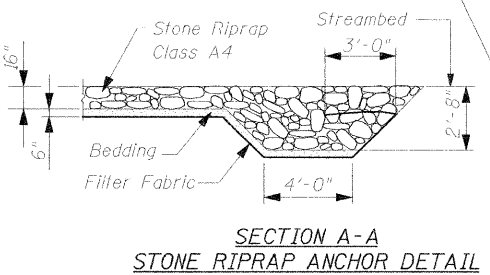
TITLE:
GENERAL PLAN AND ELEVATION

SCALE: N.T.S. DRAWN BY: IMG
DATE: JANUARY 2006 CHECKED BY: NSA



WATERWAY INFORMATION
Drainage Area = 14.1 Sq. Mi. Low Grade Elev. 651.45 @ Sta. 1+05

Flood	Freq. Yr.	Q C.F.S.	Opening Sq. Ft.		H.W.L.	Head - Ft.		Headwater El.	
			Exist.	Prop.		Exist.	Prop.	Exist.	Prop.
Design	50	1200	212.3	212.3	649.64	0.30	0.30	649.94	649.94
Base	100	1410	212.3	212.3	650.06	0.55	0.55	650.61	650.61
Overtopping	Est. 1800	212.3	212.3	-	-	-	-	651.45	651.45
Max. Calc.	500	2385	212.3	212.3	651.43	1.24	1.24	652.67	652.67



LEGEND:
Indicates Boring Location

REV. NO.	DATE	REVISION RECORD	MADE BY	CHECKED BY

DATE: 9/2/2008 FILENAME: P:\2006\2301-2400\2006.2324-NAnderson-Old Elm Design\MICROSTATION-FINAL(S-DL).dgn