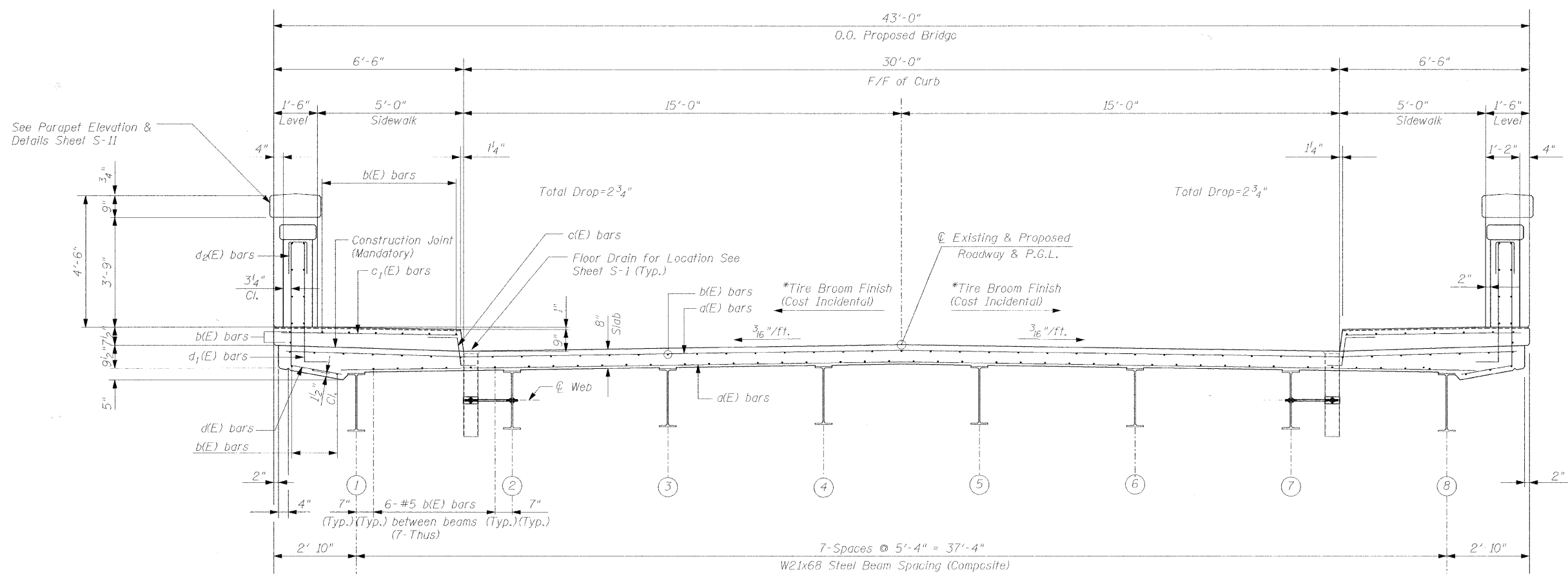


F.A.U. RTE.	SECTION	COUNTY	TOTAL SHEETS	SHEET NO.
1248	99-00080-00-BR	LAKE	46	20
STA.	TO STA.			
FED. ROAD DIST. NO.	ILLINOIS	FED. AID PROJECT		

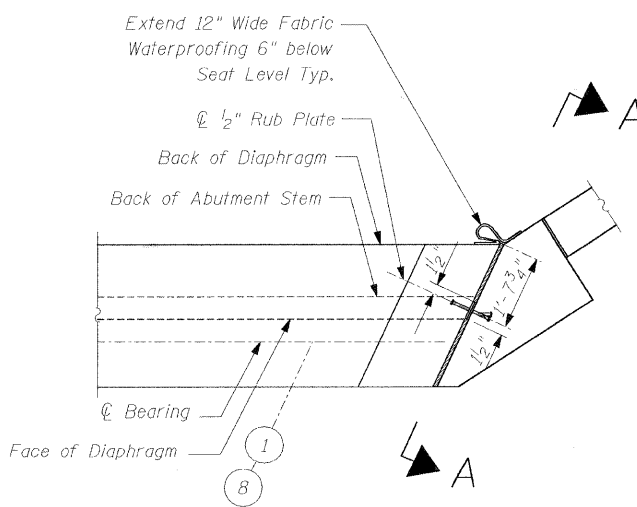
Sheet S-8 of S-29 **63020**



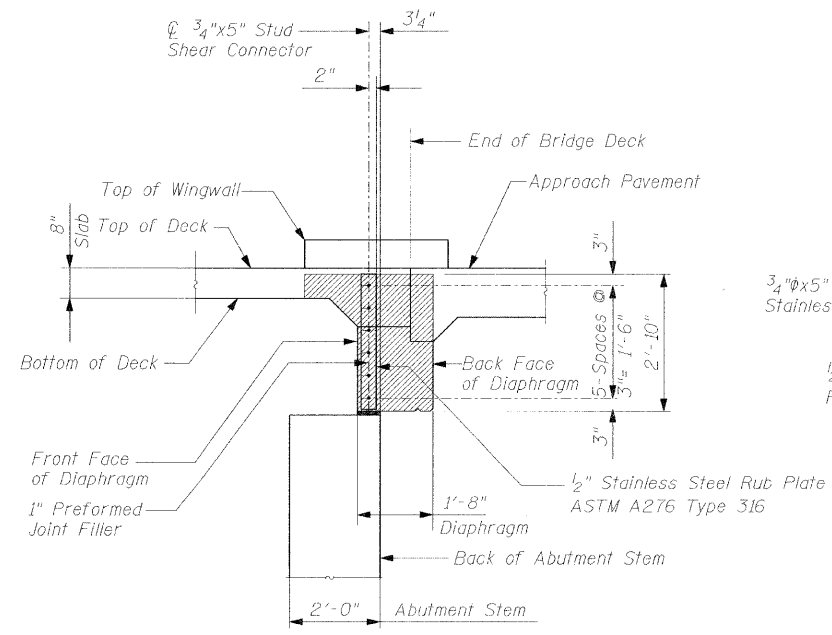
PROPOSED CROSS SECTION
(Looking East)

*Rake lines used for Finishing shall have an Uneven Spacing in the Direction Longitudinal (Typ.)

Notes:
Reinforcement bars in designated (E) shall be epoxy coated.
All exposed edges shall have 3/4" chamfer.
See Sheet S-12 for Superstructure Details, Bill of Material and Parapet Joint Details
See Sheet S-9 & S-10 for parapet reinforcement Details.

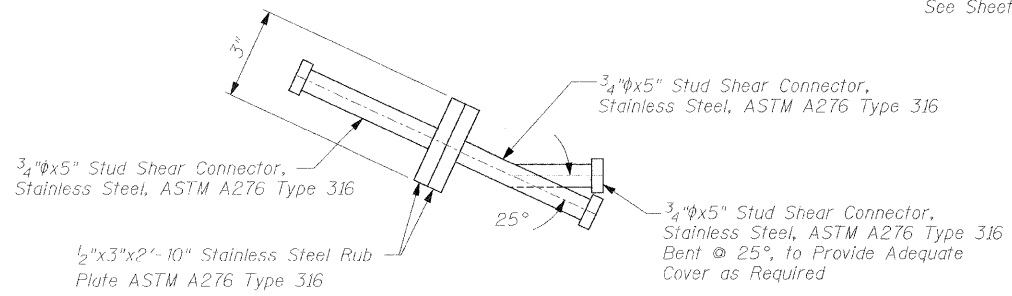


DETAIL "F"



DETAIL A-A

Dimensions at right angles to abutment
*Cost included with Concrete Superstructure



RUB PLATE DETAILS

REV. NO.	DATE	REVISION RECORD	MADE BY	CHECKED BY

	Wiss, Janney, Elstner Associates, Inc. Engineers, Architects, Material Scientists 330 Pfingsten Road, Northbrook, IL 60062 (847) 272-7400, Fax: (847) 291-4813 WJE No. 2006.2324
	THE CITY OF LAKE FOREST CHARTERED 1861 ILLINOIS DEPARTMENT OF TRANSPORTATION BUREAU OF LOCAL ROADS AND STREETS
PROJECT: OLD ELM ROAD OVER EAST SKOKIE DITCH STA. 187+46 LAKE COUNTY STRUCTURE NO. 049-6870	
TITLE: TYPICAL CROSS SECTION	
SCALE: N.T.S. DATE: JANUARY 2008	DRAWN BY: IMG CHECKED BY: NSA

DATE: 2/5/2008
 FILENAME: P:\2006\2501-2400\2006.2324-NAnderson-Old Elm Design\MICROSTATION-FINAL\S-06.dgn