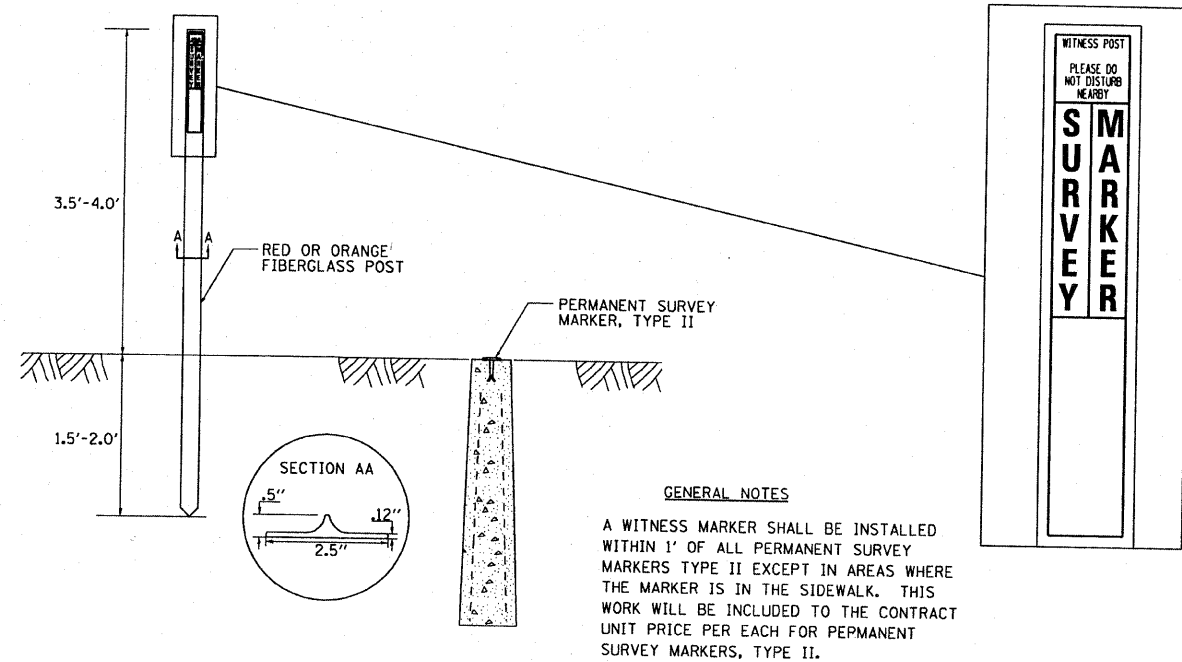
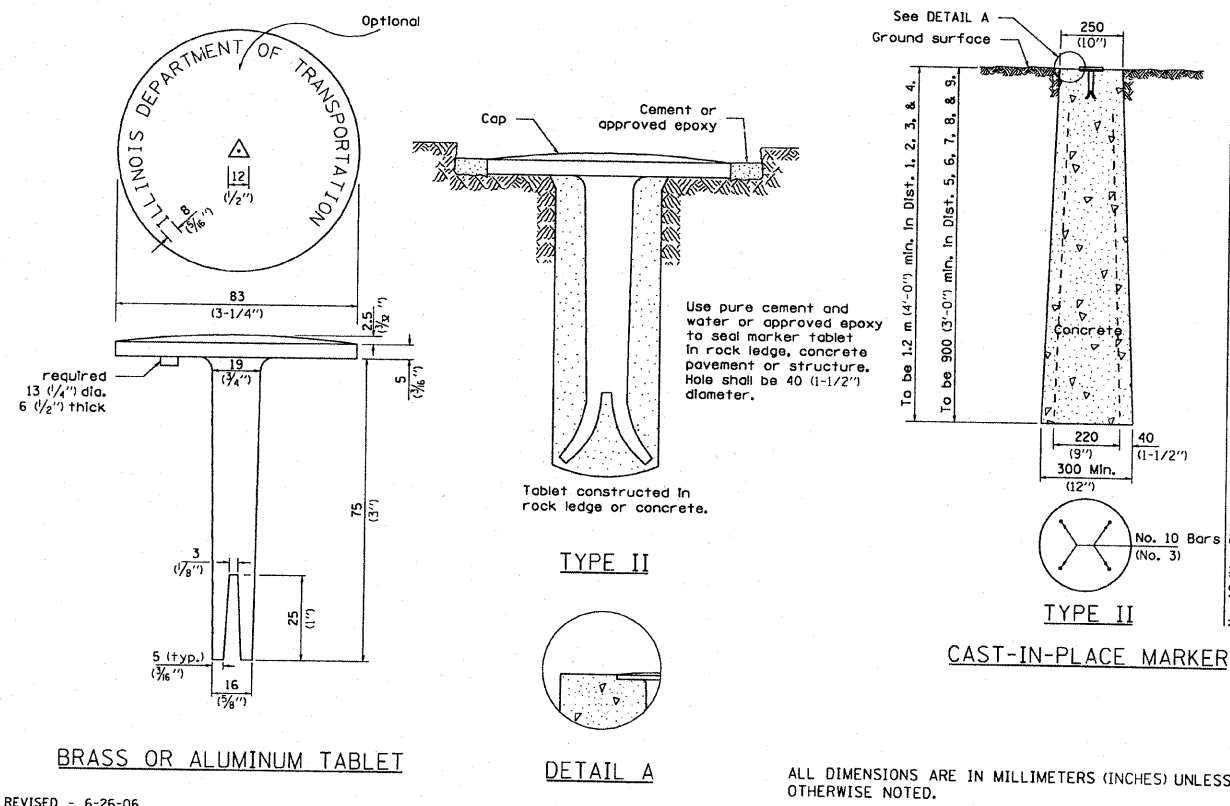


WITNESS MARKER FOR PERMANENT SURVEY MARKERS, TYPE II



PERMANENT SURVEY MARKERS, TYPE II



No. 10 (No. 3) bars to be 750 (30") for 900 (36") min. & 1.1 m (3'-6") for 1.2 m (4'-0") min.

ALL DIMENSIONS ARE IN MILLIMETERS (INCHES) UNLESS OTHERWISE NOTED.

REVISED - 6-26-06

REVISED -	REGION 2 / DISTRICT 2 STANDARD				F.A.S. RITE	SECTION	COUNTY	TOTAL SHEETS	SHEET NO.			
REVISED -					1087	107T-1	STEPHENSON	47	31			
REVISED -					SCALE: 2.0000' / IN.				SHEET NO. 4 OF 8 SHEETS		STA.	TO STA.
REVISED -					FED. ROAD DIST. NO.				ILLINOIS FED. AID PROJECT		CONTRACT NO. 64C64	