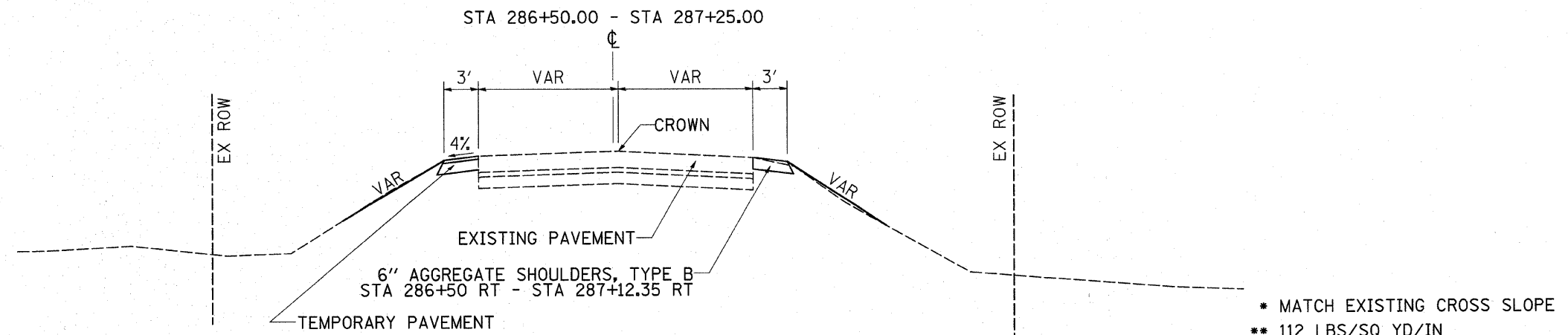
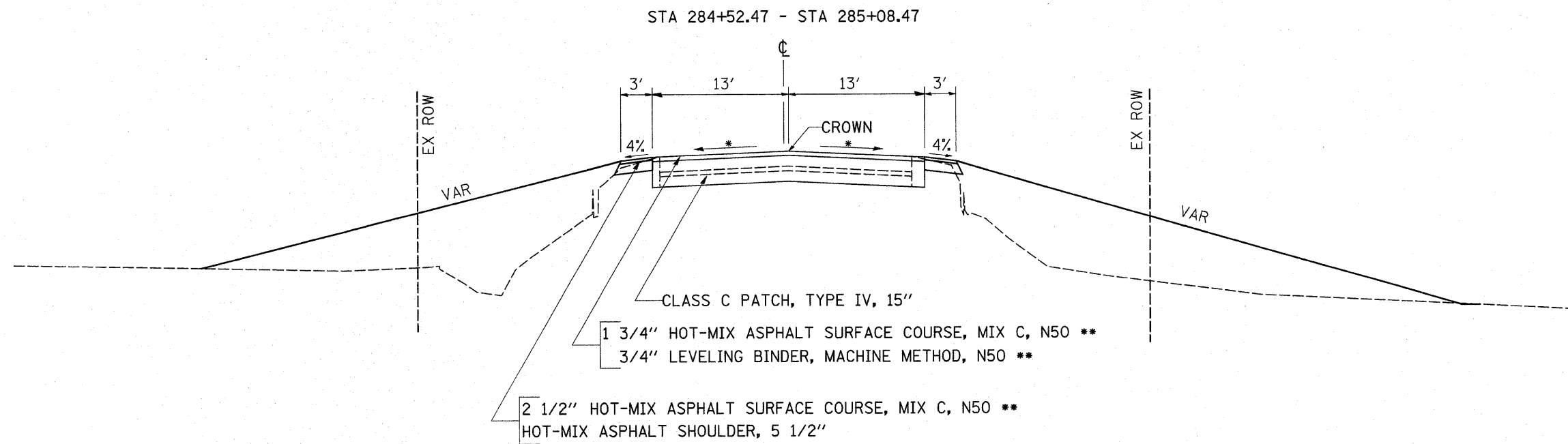


TYPICAL SECTIONS



PLOT DATE = Fri, 08/06/04 09:08
 FILE NAME = EX-PRO-284-287.dgn
 PLOT SCALE = 82.9412 / IN.
 USER NAME = jordanhd

REVISIONS	
NAME	DATE

ILLINOIS DEPARTMENT OF TRANSPORTATION

SCALE: VERT. DRAWN BY
 DATE HORIZ. CHECKED BY

TYPICALS