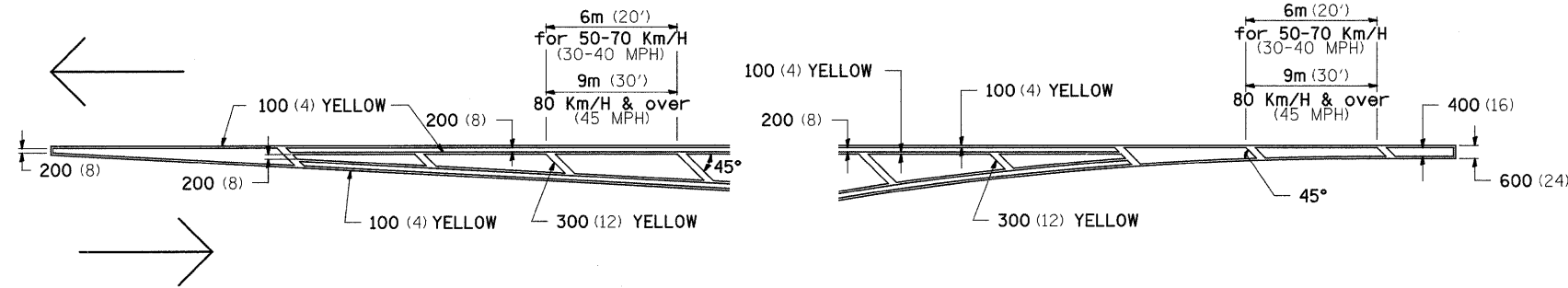


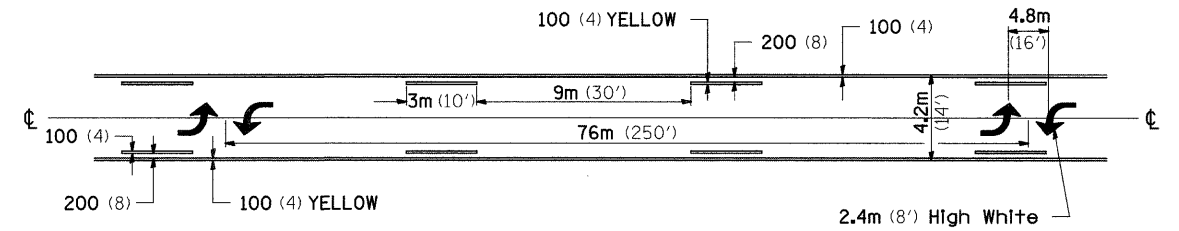
F.A.P. RTE.	SECTION	COUNTY	TOTAL SHEETS	SHEET NO.
102T		HENRY	41	28
STA. _____		TO STA. _____		
FED. ROAD DIST. NO. _____		ILLINOIS FED. AID PROJECT _____		

# TYPICAL PAVEMENT MARKINGS

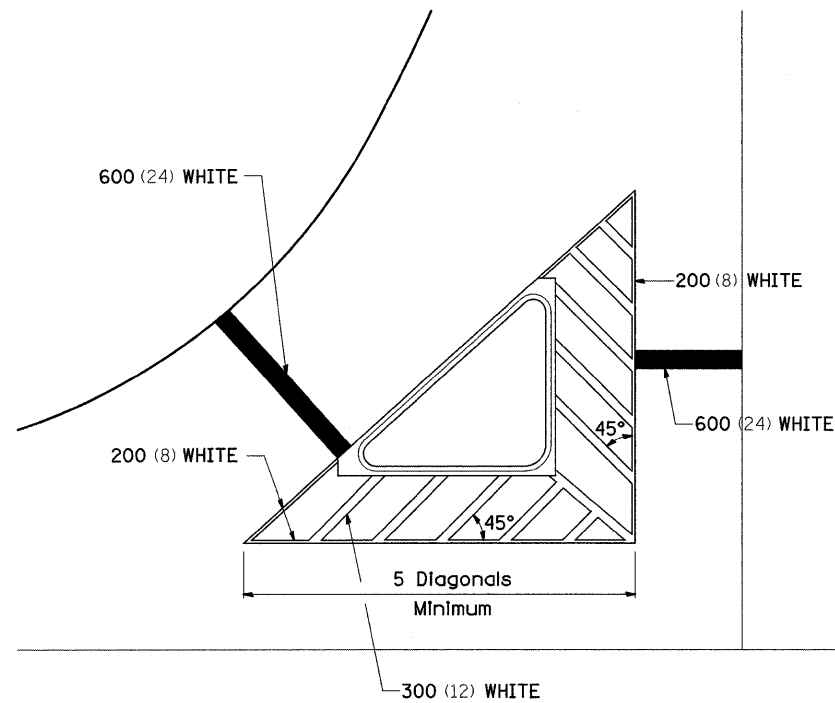
## TYPICAL PAVEMENT MARKING FOR FLUSH MEDIAN AT LEFT TURN LANE



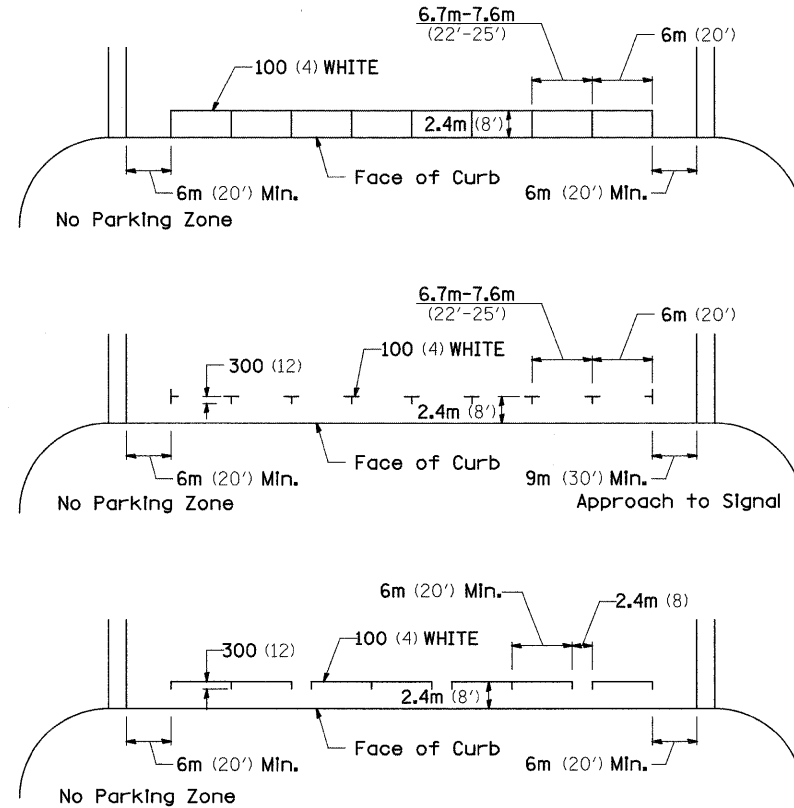
## MEDIAN PAVEMENT MARKING



## TYPICAL ISLAND OFFSET SHOULDER WIDTH



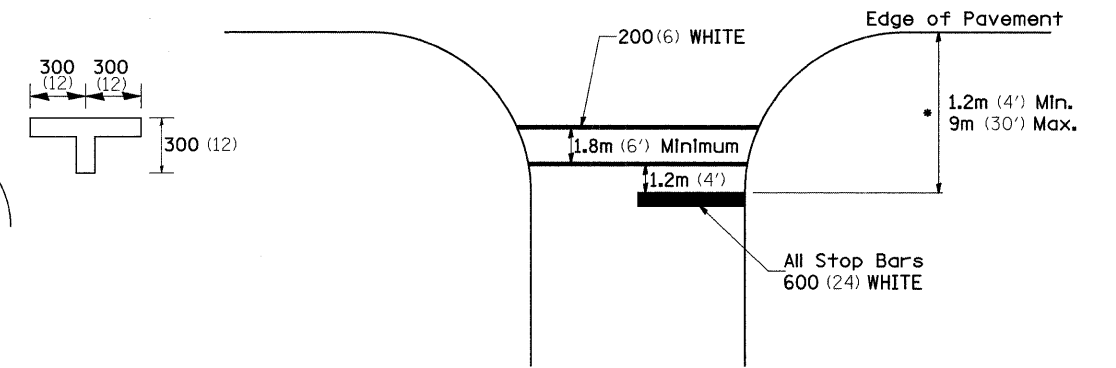
## TYPICAL PARKING SPACING



•• ALL DIMENSIONS ARE IN MILLIMETERS (INCHES) UNLESS OTHERWISE NOTED.

## STANDARD CROSSWALK MARKING

See Schedules for Locations



• Distance to the nearest edge of the intersecting roadway in the absence of a marked crosswalk.

PLOT DATE = Thu Jan 31 07:45:02 2008  
 FILE NAME = C:\P\projects\211986\dl1986apl.dgn  
 PLOT SCALE = 82.9412 / IN  
 REFERENCE = REF#