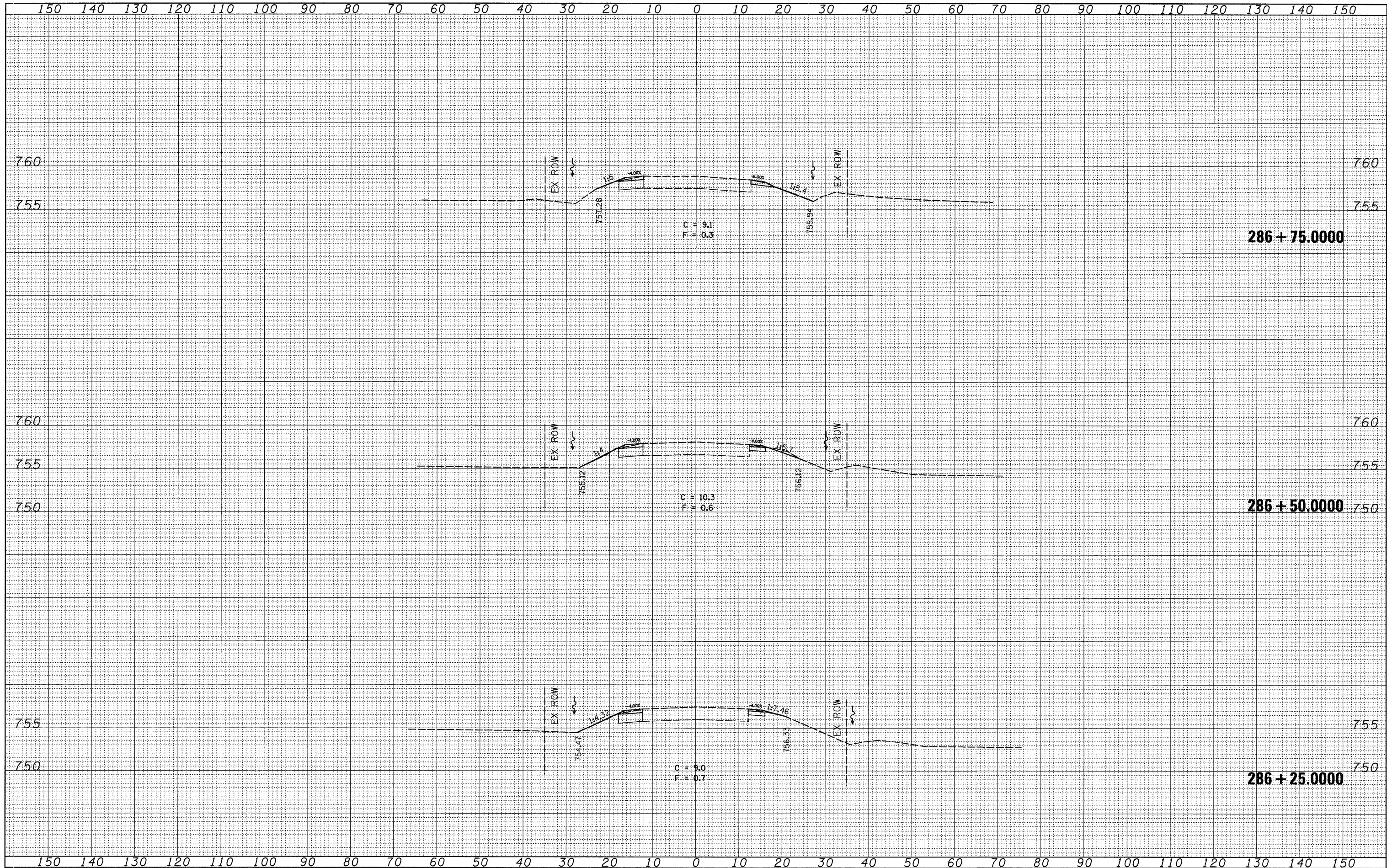


DATE	
BY	
FINAL SURVEY	SURVEYED
NOTE BOOK NO.	PLOTTED
	TEMPLATE
	AREAS CHECKED

DATE	
BY	
ORIGINAL SURVEY	SURVEYED
NOTE BOOK NO.	PLOTTED
	TEMPLATE
	AREAS CHECKED



FILE NAME = C:\Projects\p211906\dl1906xm.dgn

USER NAME = jordanhd
 PLOT SCALE = 18.0000' / IN.
 PLOT DATE = Thu Jan 31 07:50:13 2008

DESIGNED -	REVISED -
DRAWN -	REVISED -
CHECKED -	REVISED -
DATE -	REVISED -

**STATE OF ILLINOIS
 DEPARTMENT OF TRANSPORTATION**

IL 81 CROSS SECTIONS

SCALE: SHEET NO. OF SHEETS STA. 286+25.0000 TO STA. 286+75.0000

F.A.P. RTE. 611	SECTION 102T	COUNTY HENRY	TOTAL SHEETS 41	SHEET NO. 40
CONTRACT NO. 64C70			FED. ROAD DIST. NO. ILLINOIS FED. AID PROJECT	