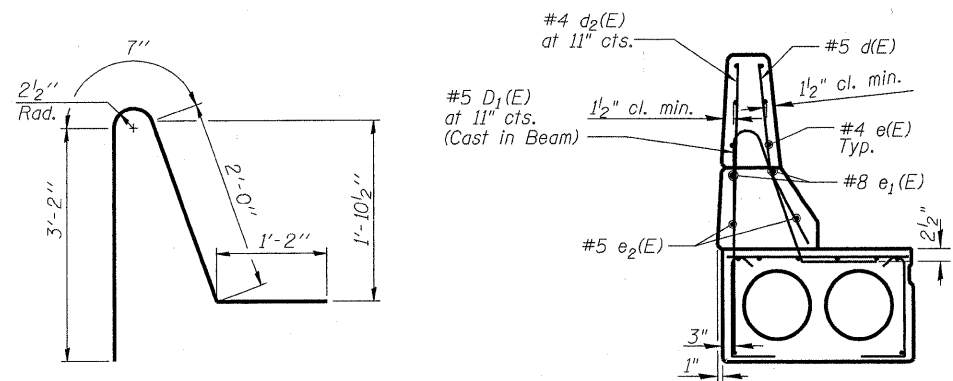
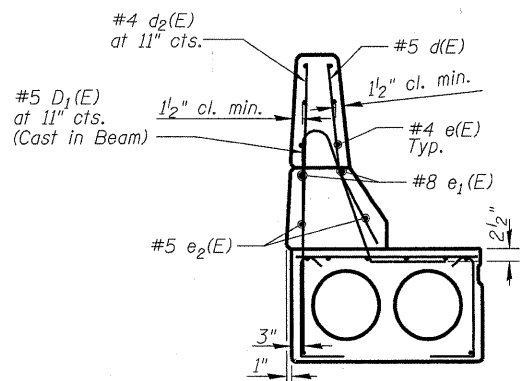


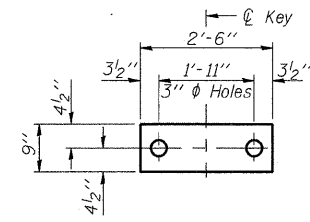
STATE OF ILLINOIS  
DEPARTMENT OF TRANSPORTATION



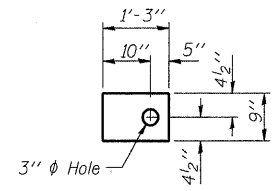
BAR D<sub>1</sub>(E)



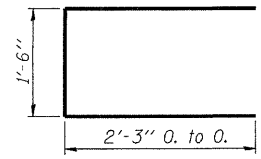
PARAPET REINFORCEMENT



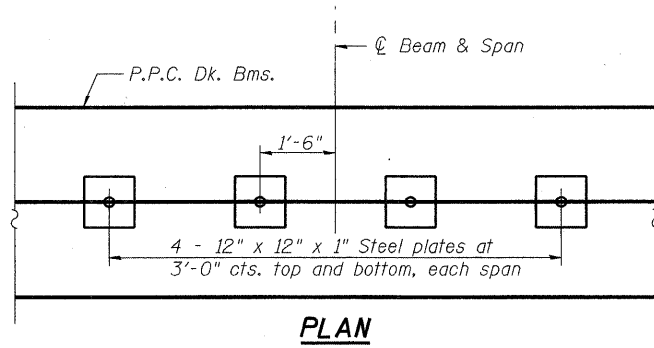
FABRIC BEARING PAD  
(Interior)  
(6 Required)



FABRIC BEARING PAD  
(Exterior)  
(4 Required)



BAR U

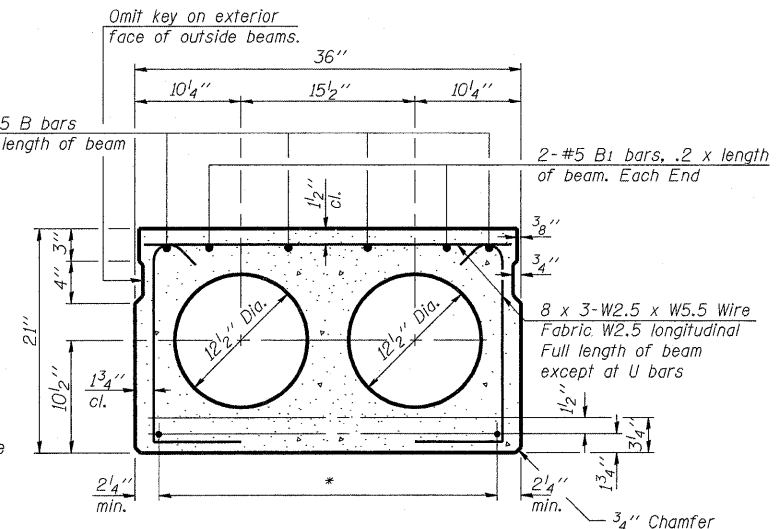


PLAN

**\*TRANSVERSE  
PLACEMENT GUIDELINES**

1. Place strands symmetrically about centerline of beam.
2. The minimum distance from center to center of strands in all directions shall be 2".
3. The minimum clearance from strand to dowel hole shall be 1/2".
4. The minimum clearance from strand to void shall be 1/2".

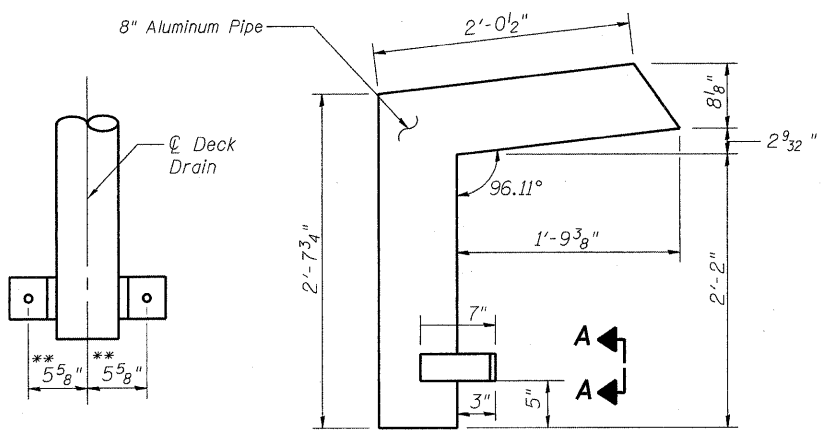
Vertical placement of strands shall not be adjusted to satisfy the above guidelines.



TYPICAL SECTION

1/2"  $\phi$  Strands, Each Strand Stressed to 30,900 Lbs.  
3-Strands 1 3/4" up, 2-Strands 3/4" up

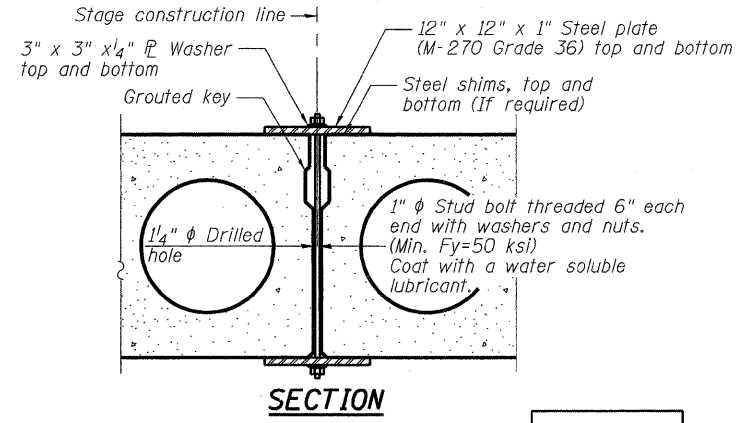
Note:  
Place strands symmetrically about  $\phi$  of beam.



VIEW A-A

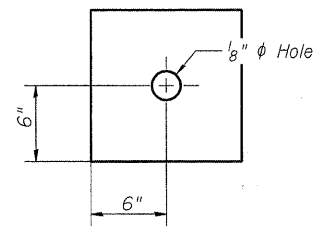
**ALUMINUM DECK DRAIN**

(Existing to be reinstalled in new parapet. Cost to be incidental to superstructure.)

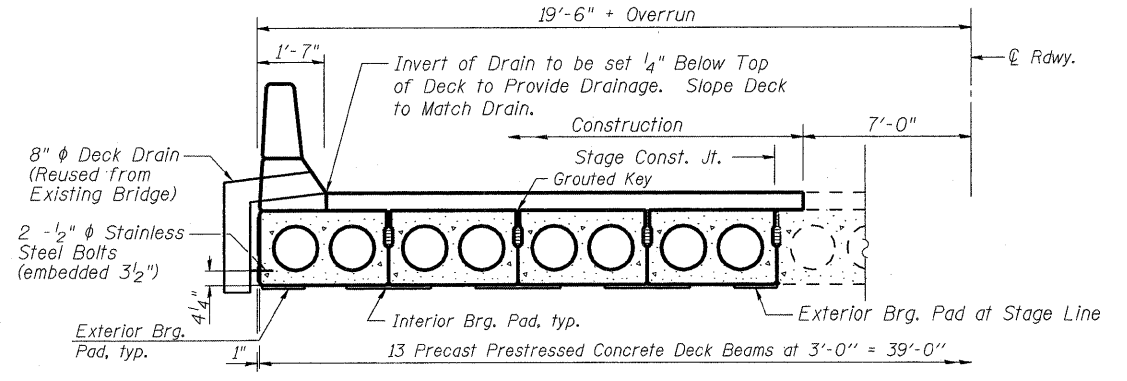


SECTION

Notes:  
See Special Provisions for Stage Construction Precast Prestressed Concrete Deck Beams. See Stage Construction Detail for traffic lane. Cost is included with Precast Prestressed Concrete Deck Beams.



CLAMPING PLATE



PARTIAL CROSS SECTION

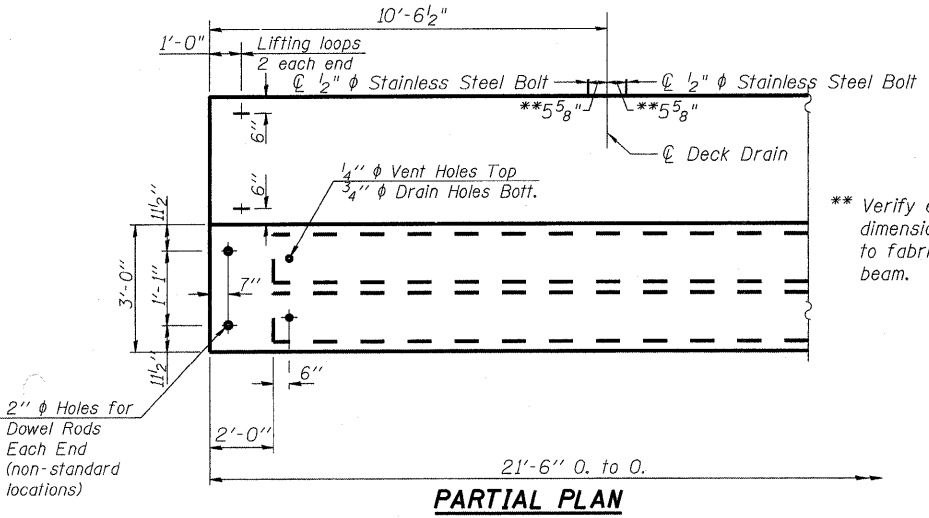
**BILL OF MATERIAL**

Precast Prestressed Conc. Deck Bms.	Sq. Ft.	258
-------------------------------------	---------	-----

**SHEAR KEY CLAMPING DETAIL  
AT STAGE CONST. JT.**

**NOTES**

Prestressing steel shall be uncoated high strength, low relaxation 7-wire strand, Grade 270. The nominal diameter shall be 1/2" and the nominal cross-sectional area shall be 0.153 sq. in. Lifting loops shall be 2 - 1/2"  $\phi$  - 270 ksi strands, as shown. Non prestressing steel shall conform to ASTM A 706 (IL MOD), Grade 60. The bearing seat surfaces shall be adjusted by shimming to assure firm and even bearing. Two 1/8" fabric adjusting shims of the dimensions of the Exterior Bearing Pad shall be provided for each bearing. Keyway surfaces shall be cleaned to remove form oil or other bond breaking material prior to shipment of the beams. Cleaning shall be done by sandblasting the keyway areas between top of the beam and the bottom edge of the key. Corrosion Inhibitor, per Article 1020.05(b)(12) of the Standard Specifications, shall be used in the concrete for precast prestressed concrete deck beams. Required Release Strength, f'cl, shall be 4000 p.s.i.

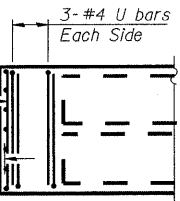


PARTIAL PLAN

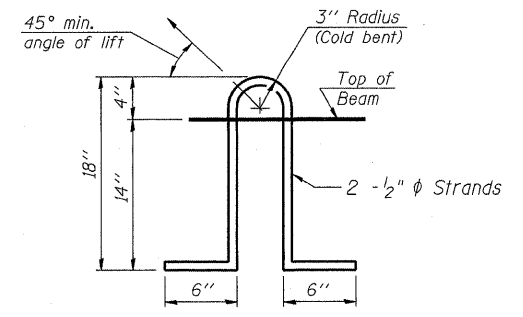
2"  $\phi$  Holes for Dowel Rods Each End (non-standard locations)

\*\* Verify existing dimension prior to fabricating beam.

DESIGNED	-DFM
CHECKED	-RB
DRAWN	-EBS
CHECKED	-DFM



END PLAN



LIFTING LOOP DETAIL

**DECK BEAM DETAILS  
SPAN 1  
F.A.P. 17 (US RTE 52 & IL RTE 64)  
CARROLL COUNTY  
STRUCTURE NO. 008-0029**