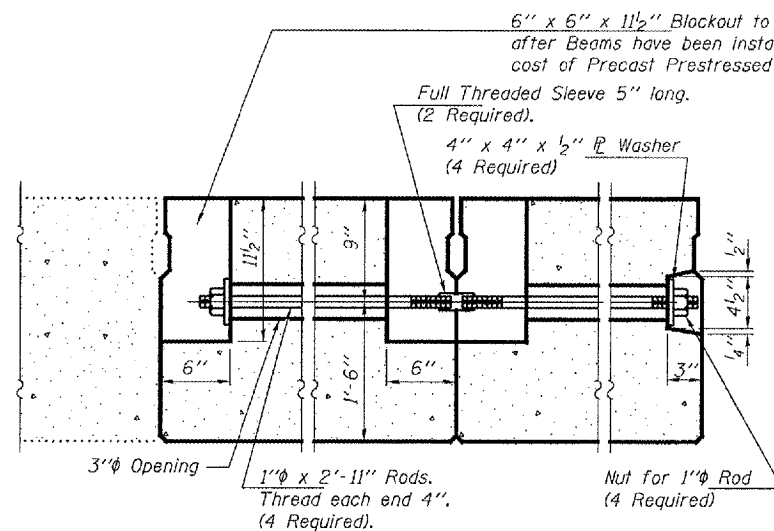


STATE OF ILLINOIS
DEPARTMENT OF TRANSPORTATION

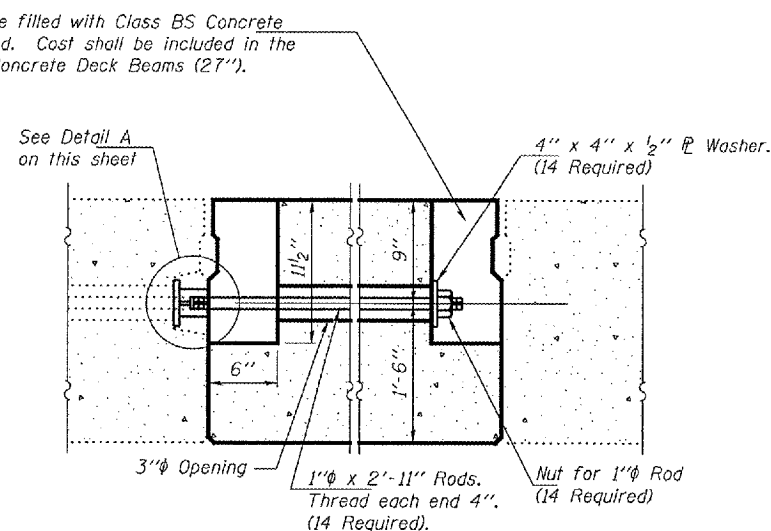
ROUTE NO.	SECTION	COUNTY	SHEETS	SHEET
657		Henderson	14	12
FED. ROAD DIST. NO. 7	TALENT	FED. AID PROJECT		

SHEET NO. 3
5 SHEETS

Contract Number: 68774

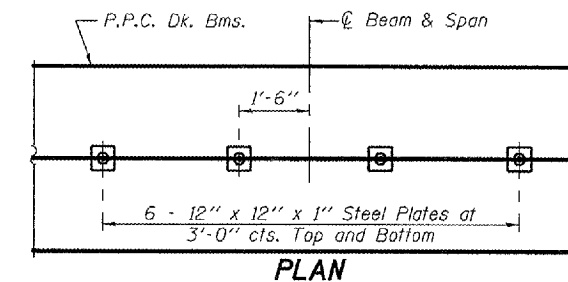


TRANSVERSE TIE ASSEMBLY
(Typ. Span 2 Beams 11 & 12 Replacement)

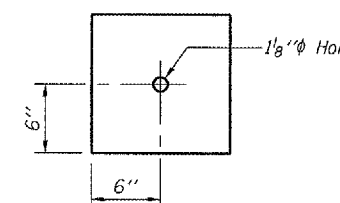


TRANSVERSE TIE ASSEMBLY
(Typ. Span 1 Beam 10 & Span 2 Beams 2, 7 & 11 Replacement)

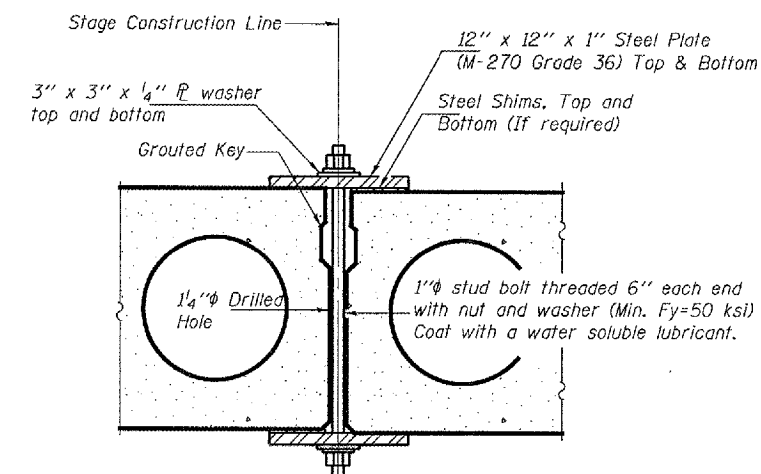
Notes:
See Special Provisions for Stage Construction Precast Prestressed Concrete Deck Beams.
See Stage Construction Detail for traffic lane. Cost is included with Precast Prestressed Concrete Deck Beams.



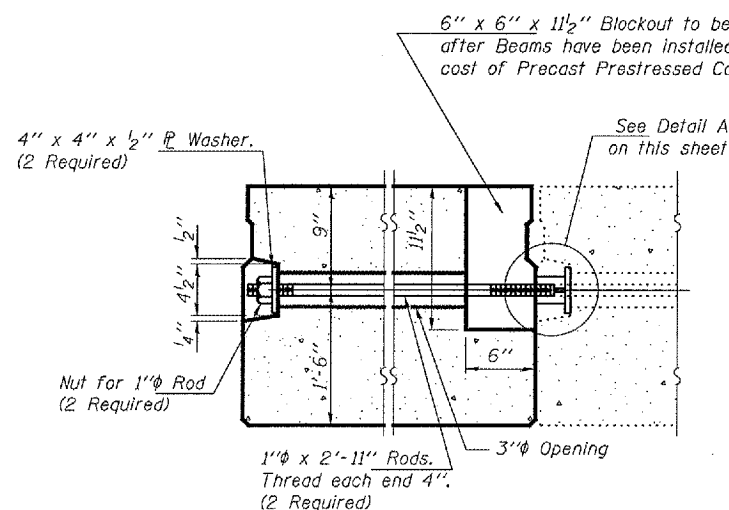
PLAN



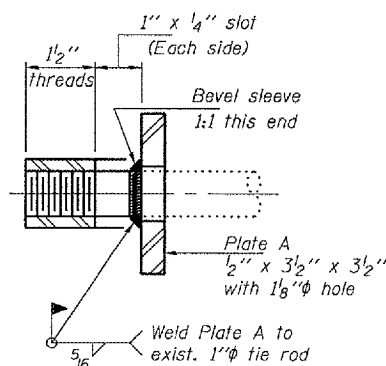
CLAMPING PLATE



SECTION



TRANSVERSE TIE ASSEMBLY
(Typ. Span 1 Beam 1 Replacement)



SECTION A-A
(16 Required)

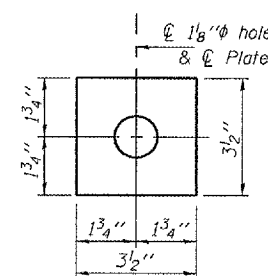
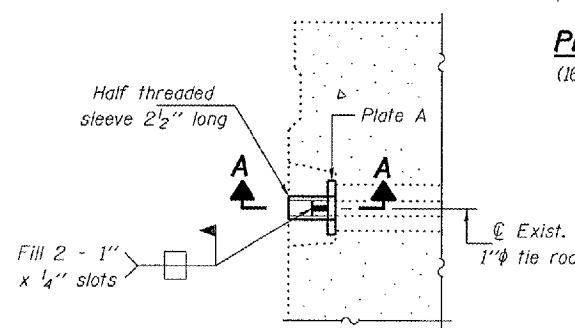
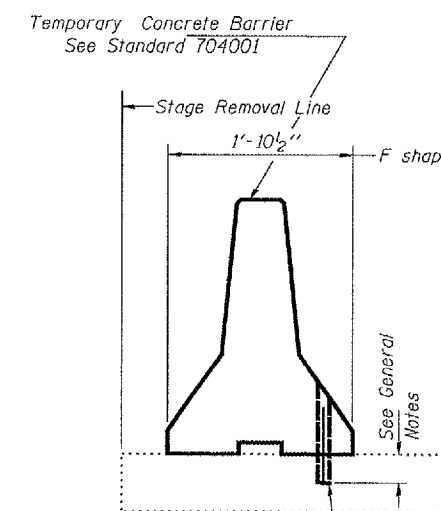


PLATE A
(16 Required)



DETAIL A



TEMPORARY CONCRETE BARRIER
See Roadway Plans for Quantity

Drill 1/4"φ Holes in existing overlay for 1"φ x 10" dowel bars. Traffic side only. Anchor locations in new overlay are to be patched following stage II Construction. Cost included with Temporary Concrete Barrier.

DESIGNED	ATH
CHECKED	AJB
DRAWN	Steffen
CHECKED	ATH AJB

FEBRUARY 26, 2008

EXAMINED *Carl P. ...*
ENGINEER OF STRUCTURAL SERVICES

PASSED *Ralph E. Anderson*
ENGINEER OF BRIDGES AND STRUCTURES

REPAIR DETAILS
FA RT. 657
HENDERSON COUNTY
SN 036-0038