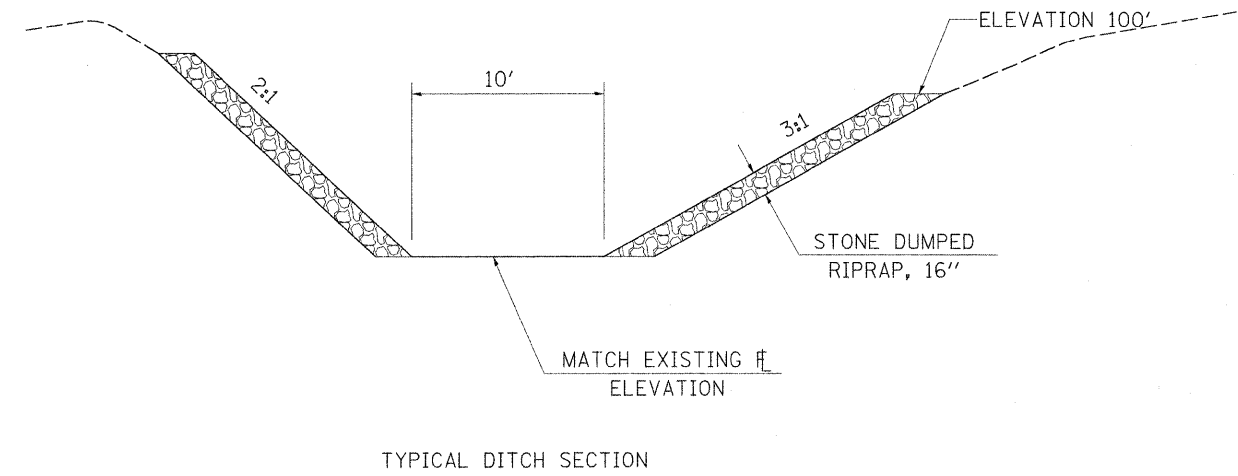


TREE REMOVAL (6 TO 15 UNITS DIAMETER)		
STATION	OFFSET	QUANTITY
27+58	43' LT	12
28+42	52' LT	13
28+57	70' LT	9
28+63	65' LT	8
28+85	67' LT	11
29+10	67' LT	12
29+35	60' LT	9
30+35	47' LT	9
30+55	55' LT	11
30+60	54' LT	7
30+60	80' LT	9
30+70	56' LT	6
30+75	58' LT	9
30+75	40' LT	12
30+75	40' LT	6
30+80	33' LT	10
30+85	55' LT	7
30+93	54' LT	10
30+95	38' LT	15
31+23	50' LT	6
31+42	50' LT	11
31+53	38' LT	7
31+53	38' LT	12
31+67	38' LT	10
31+67	38' LT	15
31+75	40' LT	8
31+85	38' LT	6
31+86	40' LT	6
32+08	40' LT	13
32+08	80' LT	12
32+08	80' LT	7
32+08	80' LT	9
32+10	80' LT	12
32+10	80' LT	15
32+23	40' LT	7
32+28	80' LT	8
32+40	38' LT	6
32+40	44' LT	11
32+40	47' LT	6
32+55	49' LT	9
32+56	49' LT	8
32+78	39' LT	10
32+79	42' LT	9
32+80	42' LT	14
32+80	42' LT	7
32+90	75' LT	6
32+90	41' LT	15
33+00	75' LT	6
33+25	80' LT	6
33+25	80' LT	6
33+29	64' LT	10
33+33	64' LT	15
33+36	65' LT	12
33+56	75' LT	8
33+56	81' LT	7
33+68	81' LT	8
33+70	81' LT	13
33+85	85' LT	11
34+05	87' LT	8
34+05	87' LT	9
TOTAL		569

TREE REMOVAL (OVER 15 UNITS DIAMETER)		
STATION	OFFSET	QUANTITY
27+59	48' LT	26
27+80	57' LT	16
28+47	68' LT	21
28+70	30' LT	24
29+00	30' LT	24
29+18	67' LT	17
29+35	60' LT	24
29+50	71' LT	17
29+85	50' LT	28
30+08	55' LT	18
30+53	53' LT	21
30+93	54' LT	23
31+44	50' LT	22
31+67	80' LT	23
32+02	36' LT	16
33+18	75' LT	40
33+56	81' LT	25
33+70	81' LT	20
33+90	91' LT	20
33+92	85' LT	18
TOTAL		443



EARTHWORK SCHEDULE	EARTH EXCAVATION CU YD	EARTH EXCAVATION ADJUSTED FOR SHRINKAGE (25%) CU YD	EARTH FILL CU YD	EARTHWORK BALANCE, WASTE (+) OR SHORTAGE (-) CU YD
27+75.0 TO 28+00.0	12.5	9.4	0.0	9.4
28+00.0 TO 28+50.0	206.2	154.7	0.0	154.7
28+50.0 TO 29+00.0	395.1	296.3	0.0	296.3
29+00.0 TO 29+50.0	366.9	275.1	0.0	275.1
29+50.0 TO 30+00.0	284.4	213.3	0.0	213.3
30+00.0 TO 30+50.0	245.3	184.0	0.0	184.0
30+50.0 TO 31+00.0	247.9	185.9	0.0	185.9
31+00.0 TO 31+50.0	251.4	188.5	0.0	188.5
31+50.0 TO 32+00.0	270.8	203.1	0.0	203.1
32+00.0 TO 32+50.0	308.2	231.2	0.0	231.2
32+50.0 TO 33+00.0	354.0	265.5	0.0	265.5
33+00.0 TO 33+25.0	154.7	116.0	0.0	116.0
33+25.0 TO 33+50.0	119.6	89.7	0.0	89.7
33+50.0 TO 34+00.0	253.1	189.8	0.0	189.8
34+00.0 TO 34+50.0	272.3	204.2	0.0	204.2
34+50.0 TO 35+00.0	148.4	111.3	0.0	111.3
TOTALS	3891.0	2918.0	0.0	2918.0

TREE PLANTING SCHEDULE		
TREE, ACER RUBRUM (RED MAPLE), 2" CALIPER, BALLED AND BURLAPPED		14
TREE, BETULA NIGRA (RIVER BIRCH), 2" CALIPER, BALLED AND BURLAPPED		13
TREE, PLATANUS OCCIDENTALIS (SYCAMORE), 2" CALIPER, BALLED AND BURLAPPED		13
TREE, CERCIS CANADENSIS (EASTERN REDBUD) 2" CALIPER, TREE FORM, BALLED AND BURLAPPED		14
TREE, QUERCUS BICOLOR (SWAMP WHITE OAK), 2" CALIPER, BALLED AND BURLAPPED		13
SHRUB, HAMAMELIS VIRGINIANA (COMMON WITCHHAZEL), 2' HEIGHT, BALLED AND BURLAPPED		13

STONE DUMPED RIPRAP, CLASS A4, TON			
STATION TO STATION	FEET	TON	
28+00	28+50	50.00	52
28+50	29+00	50.00	131
29+00	29+50	50.00	148
29+50	30+00	50.00	114
30+00	30+50	50.00	92
30+50	31+00	50.00	98
31+00	31+50	50.00	129
31+50	32+00	50.00	169
32+00	32+50	50.00	195
32+50	33+00	50.00	290
33+00	33+25	25.00	239
33+25	33+50	25.00	41
33+50	34+00	50.00	30
34+00	34+50	50.00	61
34+50	35+00	50.00	61
TOTAL			1849

SEEDING SCHEDULE		
SEEDING CLASS 2	0.5	ACRES
NITROGEN FERTILIZER	49	LBS
PHOSPHORUS FERTILIZER NUTRIENT	49	LBS
POTASSIUM FERTILIZER NUTRIENT	49	LBS
AGRICULTURAL GROUND LIMESTONE	1.1	TONS
MULCH METHOD 2	0.5	ACRES
TEMPORARY EROSION CONTROL SEEDING	55	POUND

PERIMETER EROSION BARRIER		
STATION 35+00	150	FOOT

TEMPORARY DITCH CHECKS		
29+50	1	EACH
31+00	1	EACH
32+50	1	EACH
34+00	1	EACH
TOTAL	4	EACH