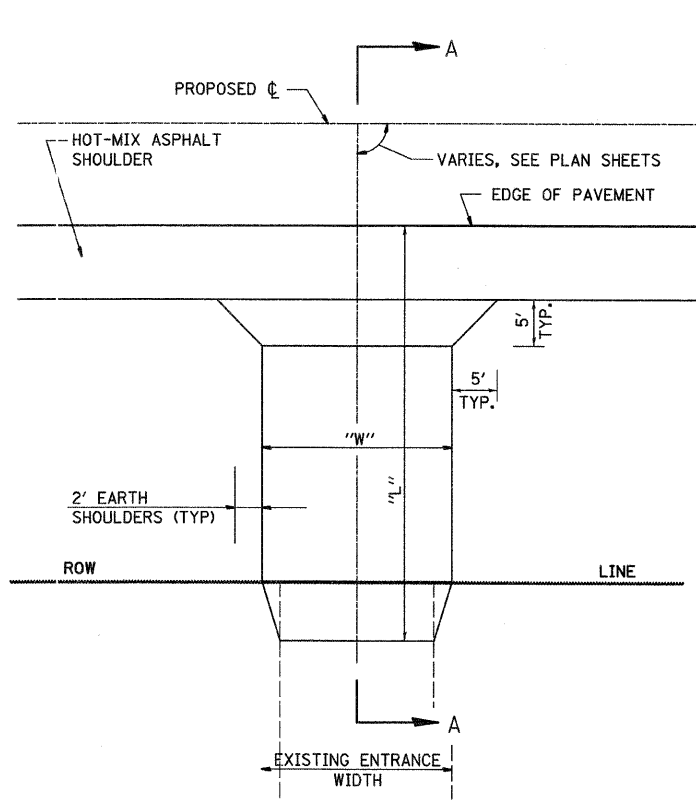
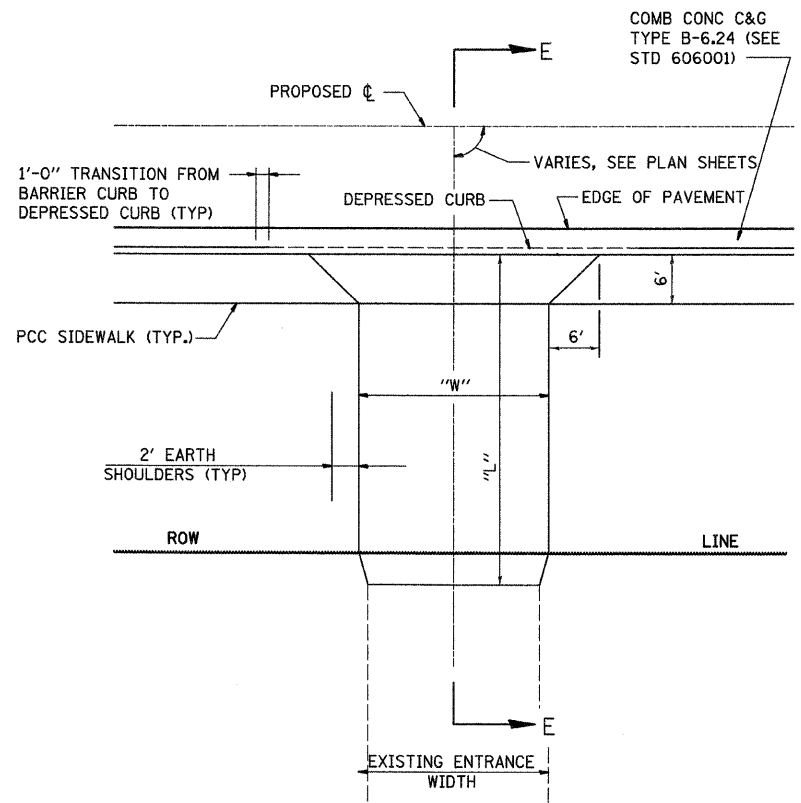


FAP ROUTE	SECTION	COUNTY	TOTAL SHEETS	SHEET NO.
592	121-1R, 121HVB	ST CLAIR	239	24

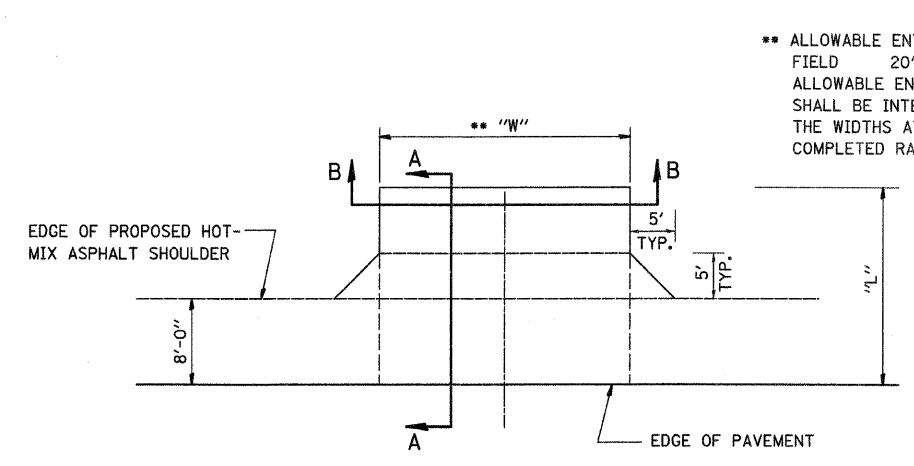
ENTRANCE DETAILS



PE DETAIL A
HMA PRIVATE ENTRANCE ADJACENT TO HOT-MIX ASPHALT SHOULDER OR PAVEMENT

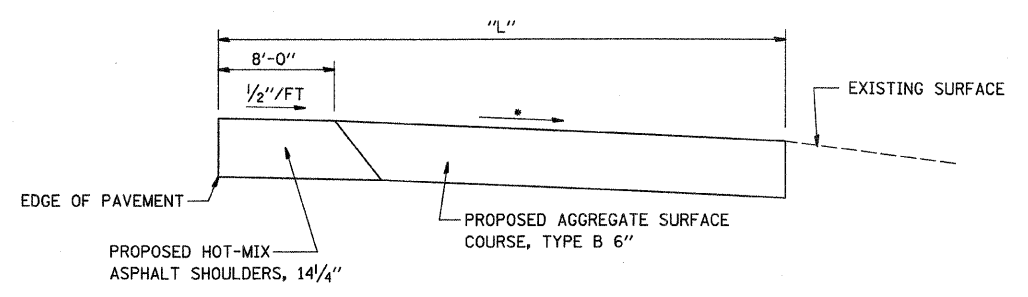


PE DETAIL B
HMA AND AGG. PRIVATE ENTRANCE WITH PCC SIDEWALK ADJACENT TO ROADWAY PAVEMENT WITH CONCRETE CURB & GUTTER TYPE B-6.24

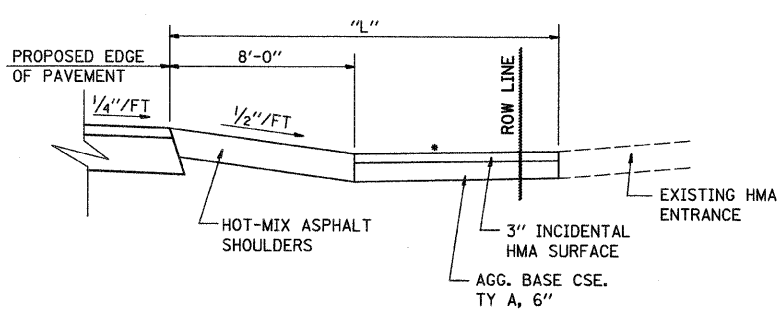


FE DETAIL
W/ HOT-MIX ASPHALT SHOULDERS

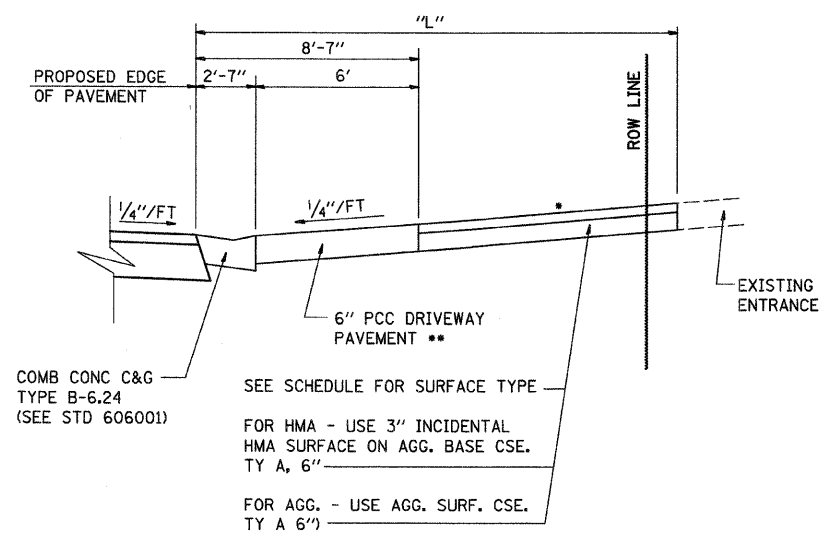
•• ALLOWABLE ENTRANCE WIDTHS: FIELD 20' MINIMUM
ALLOWABLE ENTRANCE WIDTH SHALL BE INTERPRETED TO BE THE WIDTHS AT THE SPECIFIED COMPLETED RADIUS.



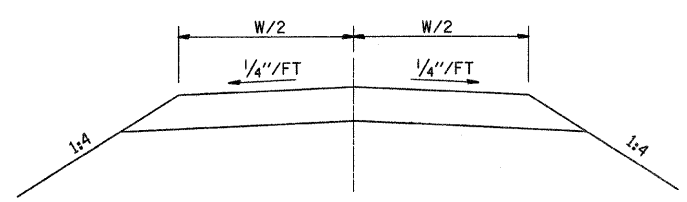
SECTION A-A WITH NEGATIVE GRADE
• SEE CROSS SECTIONS FOR SLOPES



SECTION A-A
• SEE CROSS SECTIONS FOR SLOPE



SECTION E-E
• SEE CROSS SECTIONS FOR SLOPE
•• OMIT 6" PCC DRIVEWAY PAVEMENT WHEN SIDEWALK IS NOT PRESENT



SECTION B-B

PLOT DATE = 03/21/2007
 FILE NAME = H:\P\2005\Projects\Design\SCH0824.dgn
 USER NAME = MUSER

REVISIONS	
NAME	DATE

ILLINOIS DEPARTMENT OF TRANSPORTATION

ENTRANCE DETAILS

FAP ROUTE 592
SECTION 121-1R, 121HVB
ST. CLAIR COUNTY

DRAWN BY: