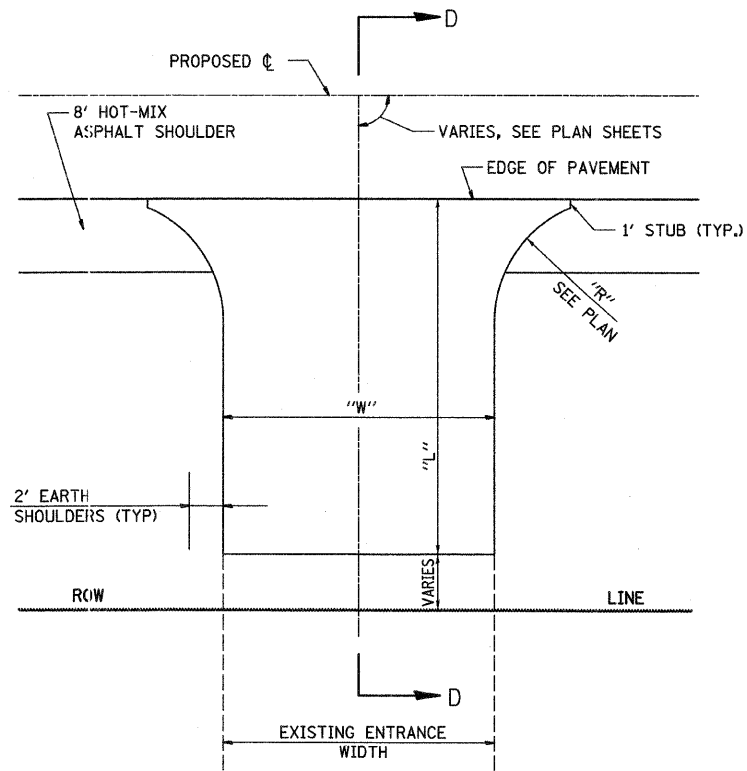
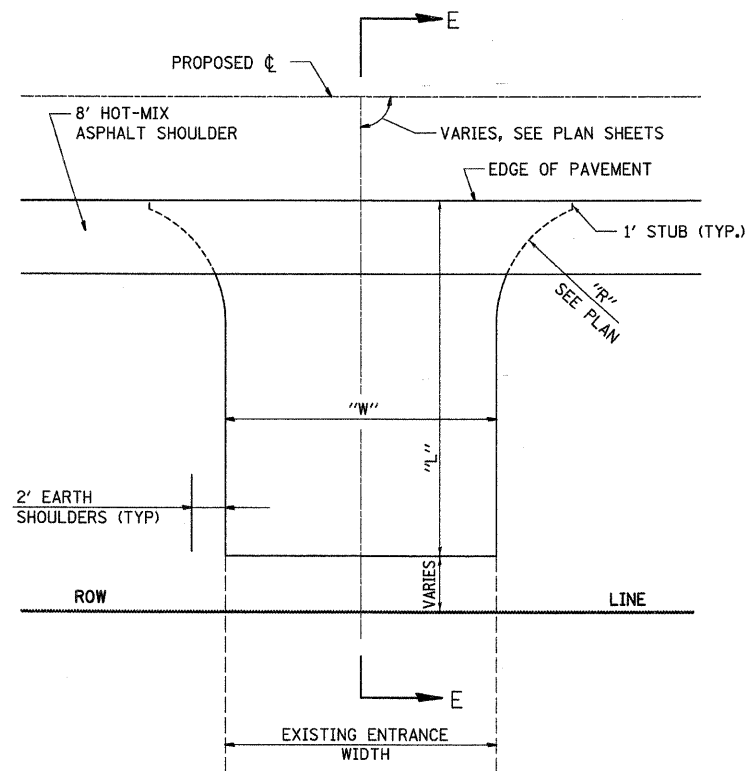


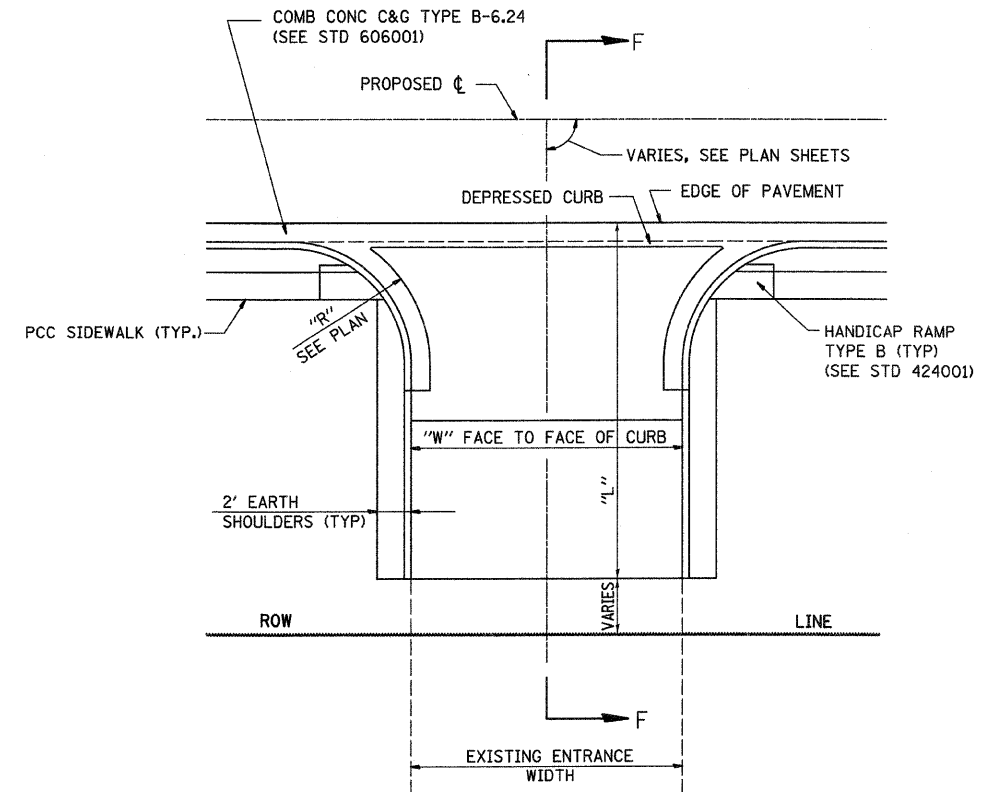
FAP ROUTE	SECTION	COUNTY	TOTAL SHEETS	SHEET NO.
592	121-1R, 121HV B	ST. CLAIR	239	25
ENTRANCE DETAILS				



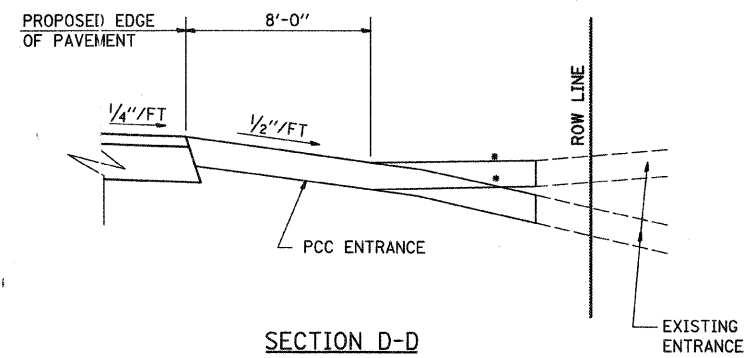
CE DETAIL A
PCC COMMERCIAL ENTRANCE ADJACENT TO HOT-MIX ASPHALT SHOULDER



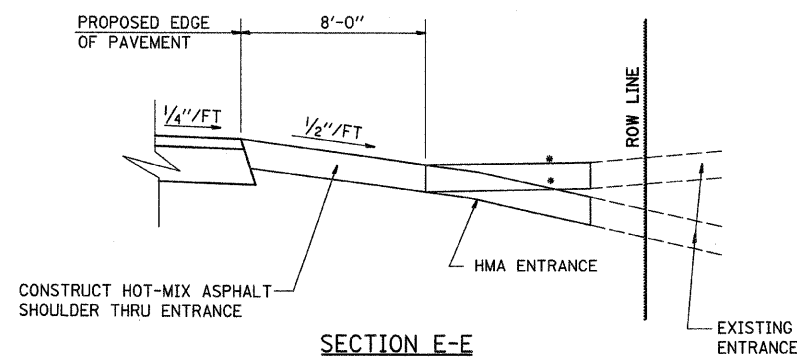
CE DETAIL B
HMA COMMERCIAL ENTRANCE ADJACENT TO HOT-MIX ASPHALT SHOULDER



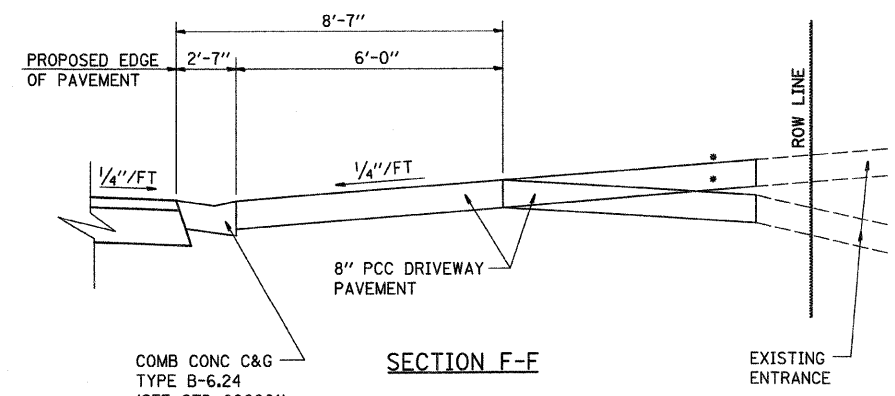
CE DETAIL C
COMMERCIAL ENTRANCE WITH PCC SIDEWALK ADJACENT TO ROADWAY PAVEMENT WITH CONCRETE CURB & GUTTER TYPE B-6.24



SECTION D-D
• SEE CROSS SECTIONS FOR SLOPE



SECTION E-E
• SEE CROSS SECTIONS FOR SLOPE



SECTION F-F
• SEE CROSS SECTIONS FOR SLOPE

PLOT DATE = 03/21/2007
 FILE NAME = H:\P\21070\Microstat\Design\SCH0002A.dgn
 PLOT SCALE = 50.0000 / 1" = 100.0000'
 USER NAME = J05210

REVISIONS	
NAME	DATE

ILLINOIS DEPARTMENT OF TRANSPORTATION

ENTRANCE DETAILS

FAP ROUTE 592
SECTION 121-1R, 121HV B
ST. CLAIR COUNTY

DRAWN BY: