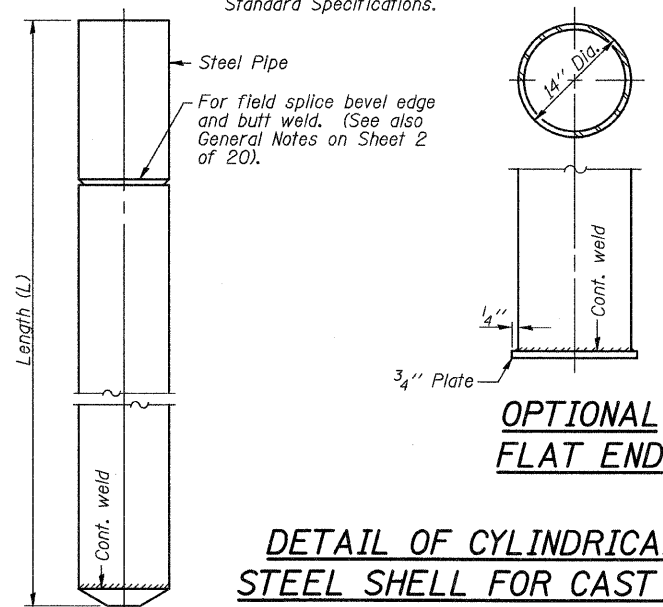


STATE OF ILLINOIS
DEPARTMENT OF TRANSPORTATION

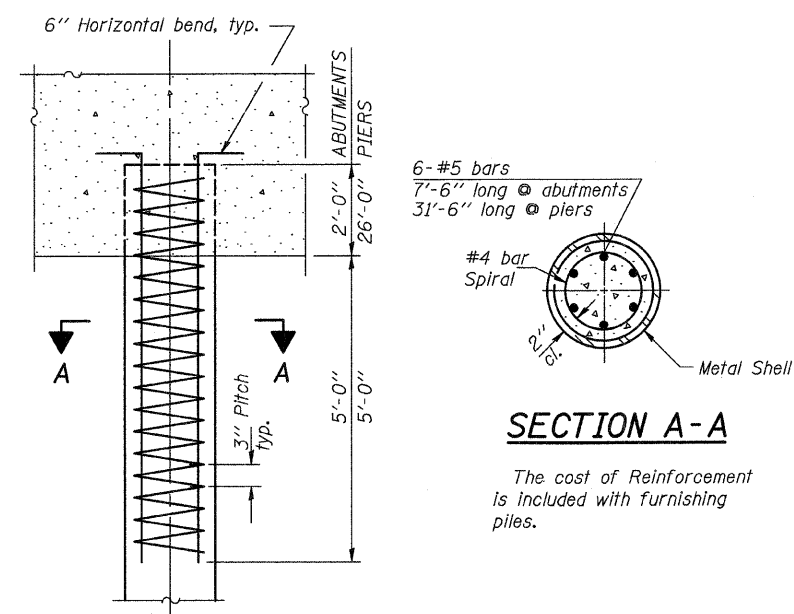
F.A.P. RTE.	SEC.	COUNTY	TOTAL SHEETS	SHEET NO.
592	121-1R, 121HVB	ST. CLAIR	239	151
F.H.W.A. REGION 7		ILLINOIS FED. AID PROJECT		

SHEET NO.: 15
SHEETS: 23

Notes: Driving and bearing ends of pipe shall be cut square. The thickness of the shell shall be 0.250 inches with a tolerance of 5%. The shell shall be according to Article 1006.05(a) of the Standard Specifications.



DETAIL OF CYLINDRICAL STEEL SHELL FOR CAST IN PLACE CONCRETE PILES



DETAIL OF REINFORCEMENT FOR METAL SHELLS

SECTION A-A

The cost of Reinforcement is included with furnishing piles.

CONCRETE PILE DETAILS
F.A.P. 592 (IL Rte. 157) OVER
UNION PACIFIC RAILROAD
SECTION 121-1R, 121HVB
ST. CLAIR COUNTY
STATION 5029+64.85
STRUCTURE NO. 082-0303