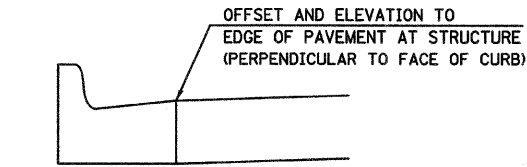
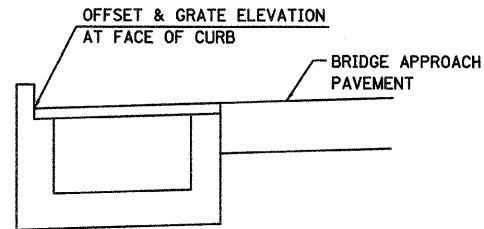


SECTION	COUNTY	TOTAL SHEETS	SHEET NO.
592 121-1R, 121HVB	ST CLAIR	239	161

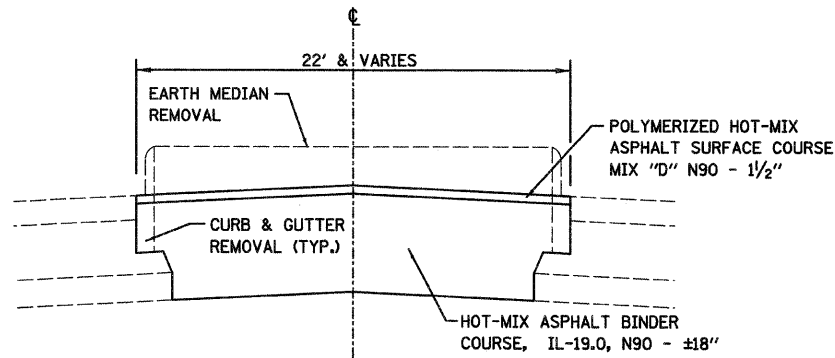
MISCELLANEOUS DETAILS



OFFSET AND ELEVATION
LOCATION OF CURB INLETS

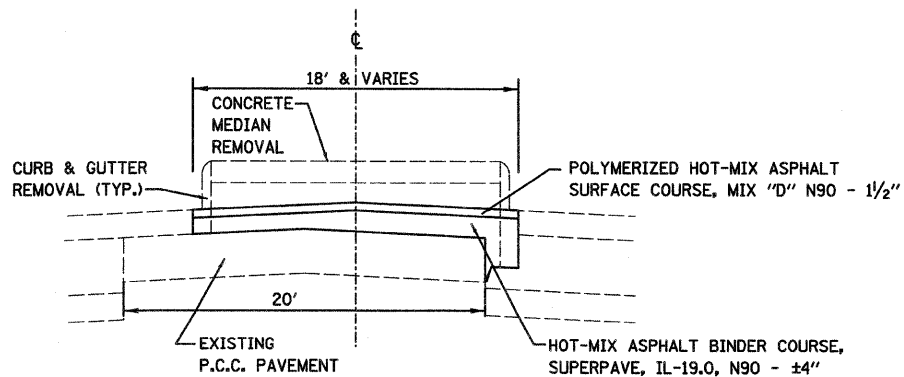


OFFSET AND ELEVATION LOCATION
OF INLET BOX TYPE B & D



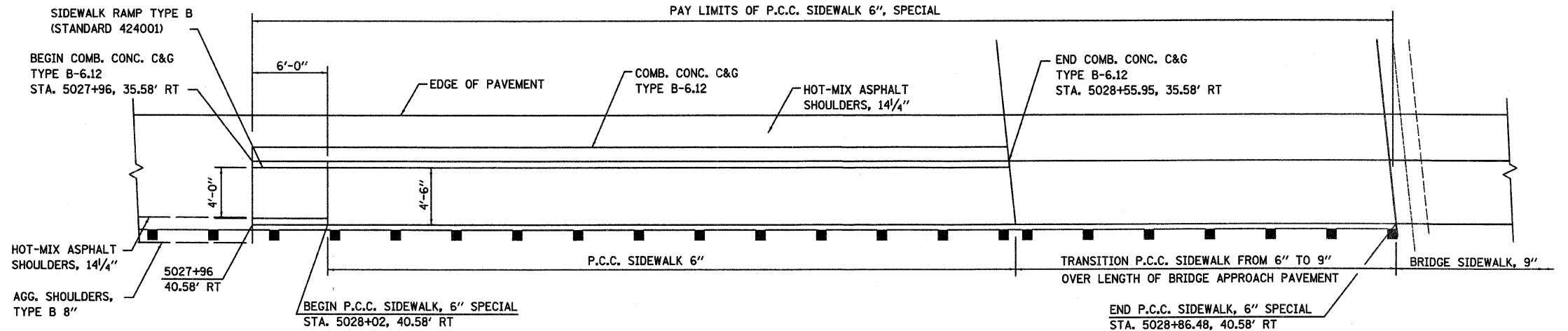
MEDIAN REMOVAL DETAIL

ILLINOIS ROUTE 157
STA. 5001+76 TO STA. 5007+38

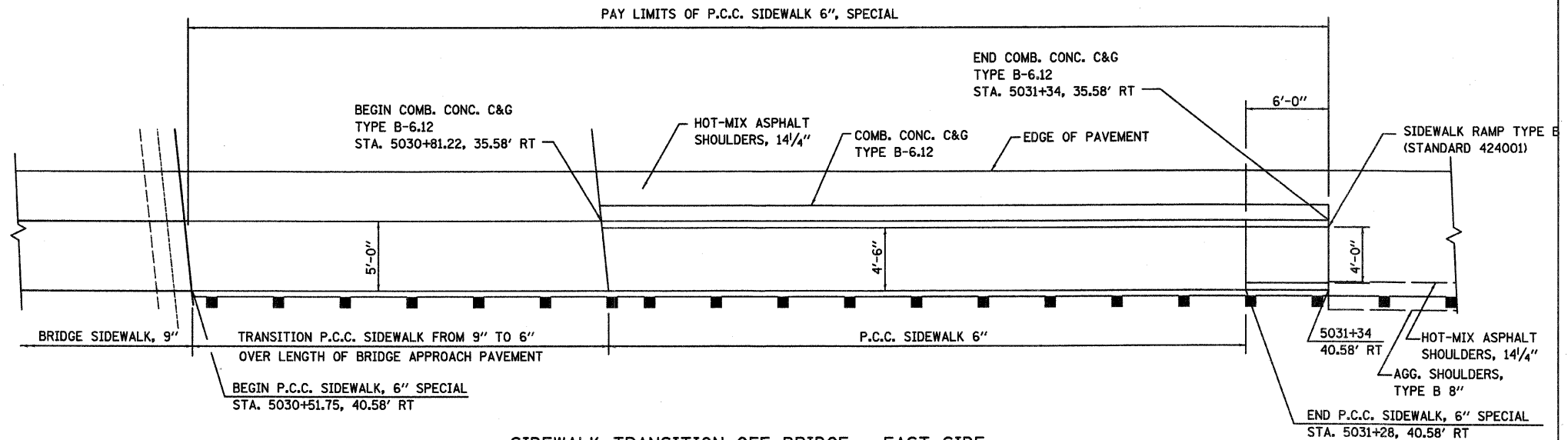


MEDIAN REMOVAL DETAIL

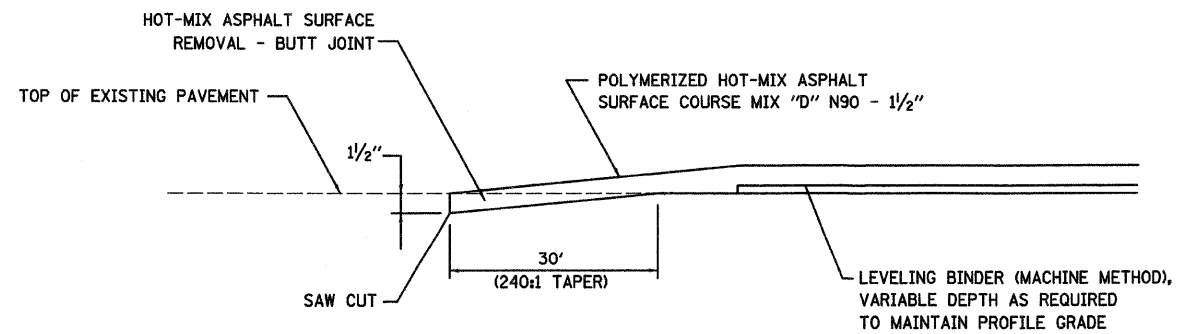
ILLINOIS ROUTE 157
STA. 5007+38 TO STA. 5010+00
STA. 5010+42 TO STA. 5022+82
STA. 5048+93 TO STA. 5049+92
STA. 5050+83 TO STA. 5052+12
FRONTAGE ROAD
STA. 498+16 TO STA. 498+64



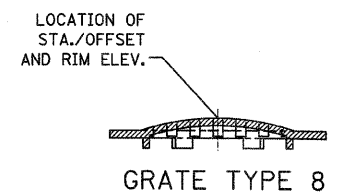
SIDEWALK TRANSITION OFF BRIDGE - WEST SIDE



SIDEWALK TRANSITION OFF BRIDGE - EAST SIDE



BUTT JOINT DETAIL
SHOPPING CENTER ENTRANCE
(TYPICAL BOTH LANES)



ILLINOIS DEPARTMENT OF TRANSPORTATION

MISCELLANEOUS DETAILS

FAP ROUTE 592
SECTION 121-1R, 121HVB
ST. CLAIR COUNTY

DRAWN BY: