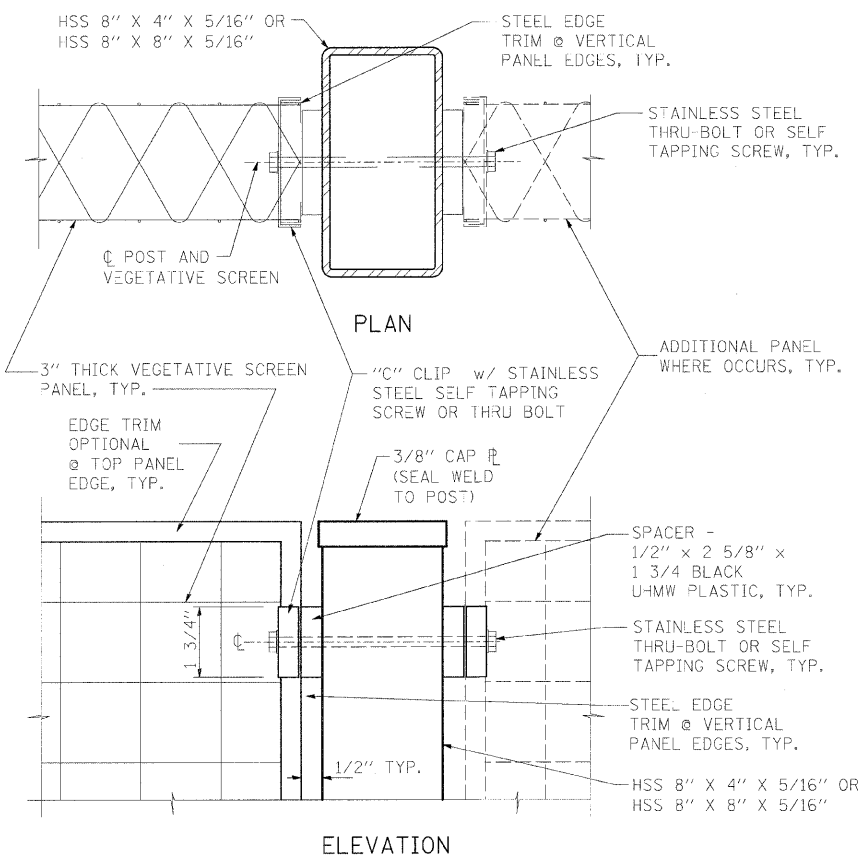
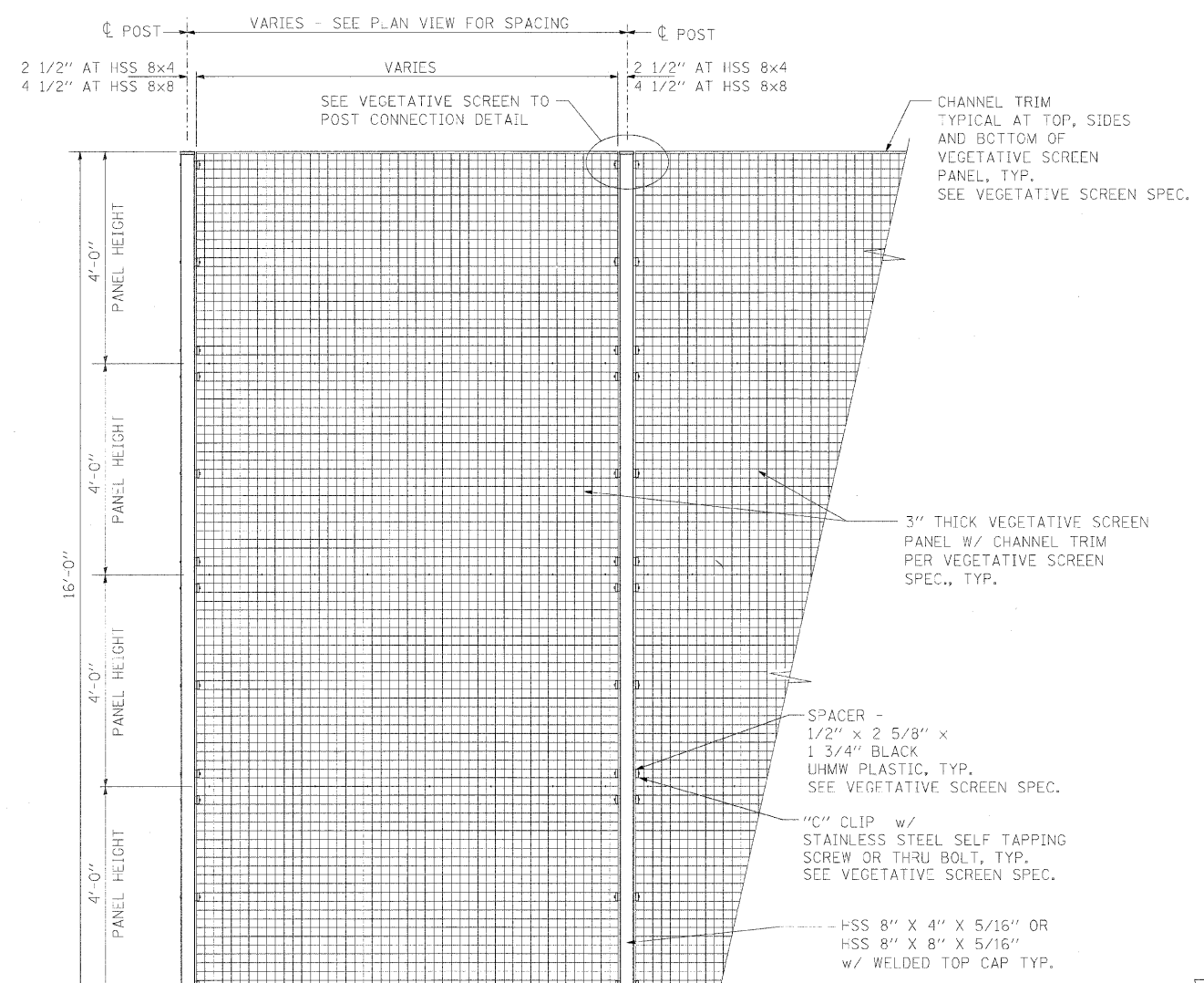


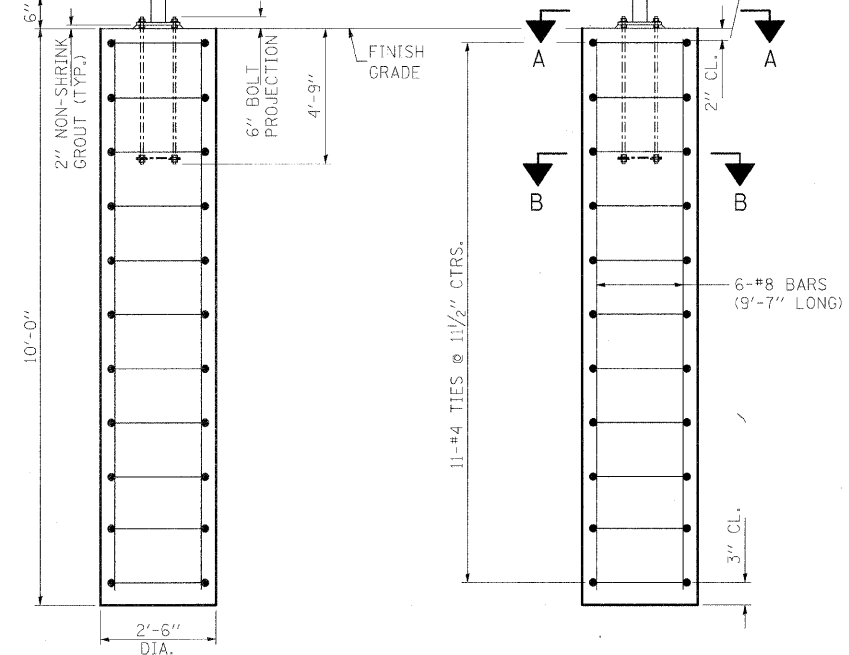
F.A.U. RTE.	SECTION	COUNTY	TOTAL SHEETS	SHEET NO.
7982	*	SANGAMON	114	87
STA.		TO STA.		
FED. ROAD DIST. NO.		ILLINOIS	FED. AID PROJECT	
05-00447-01-PV		CITY OF SPRINGFIELD		



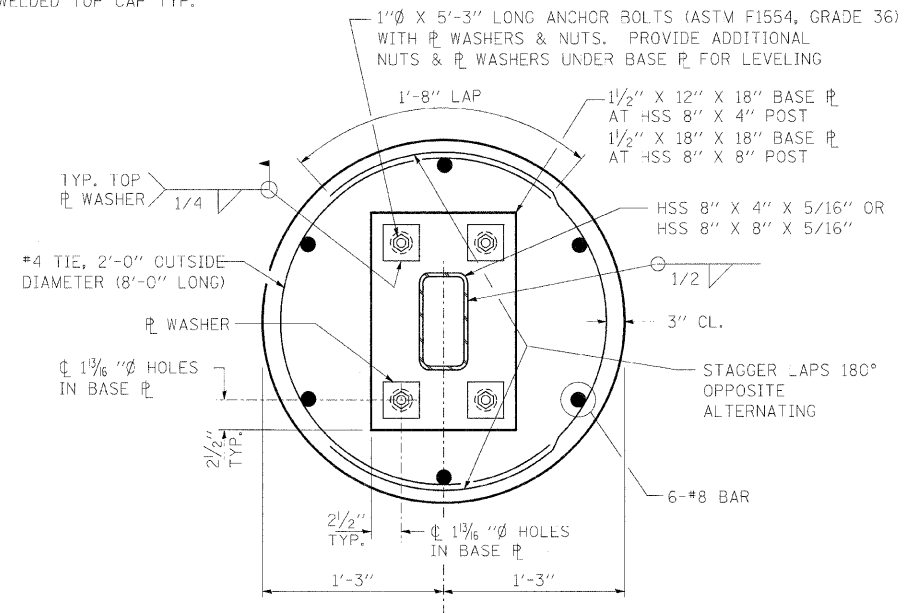
LAYOUT: DAB 11/27/07  
 DRAWN: DAB 11/27/07  
 CHECKED: MNN 11/27/07  
 PLOT DATE = 01/18/2008 10:23 AM  
 FILE NAME = s:\102\p05\02\2910\cadd\road\motor\station\sheet\action.L17h-11h-C-889h-VEG-SCREEN\_DET.dgn  
 USER = JEFFREY TATAR  
 USER NAME = P050808



VEGETATIVE SCREEN TO POST CONNECTION

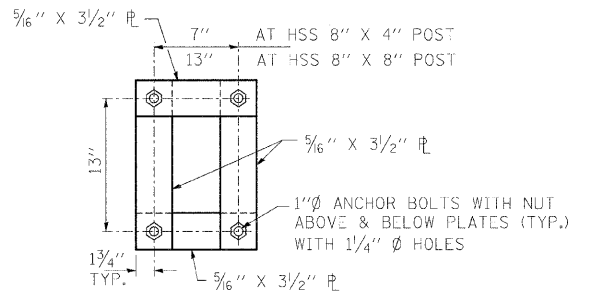


ELEVATION TYPICAL PANEL

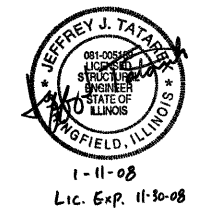


SECTION A-A

- NOTES:
1. PLATE WASHERS SHALL BE 3/8" X 3" X 3" WITH 1/16" HOLES.
  2. ANCHOR BOLTS, WASHERS & NUTS SHALL BE MECHANICALLY GALVANIZED.
  3. COST OF NUTS, & PLATE WASHERS SHALL BE INCLUDED WITH ANCHOR BOLTS.
  4. COST OF NON-SHRINK GROUT SHALL BE INCLUDED WITH 'DRILLED SHAFT CONCRETE FOUNDATIONS'.



SECTION B-B



REVISIONS	
NAME	DATE

ILLINOIS DEPARTMENT OF TRANSPORTATION  
 VEGETATIVE SCREEN DETAILS  
 FAU RTE 7982 CAPITOL AVE  
 SEC NO. 05-00447-01-PV  
 SANGAMON COUNTY, ILLINOIS  
 SCALE: VERT.      DRAWN BY      DAB  
 HORIZ.              CHECKED BY      MNN  
 DATE 09/19/07