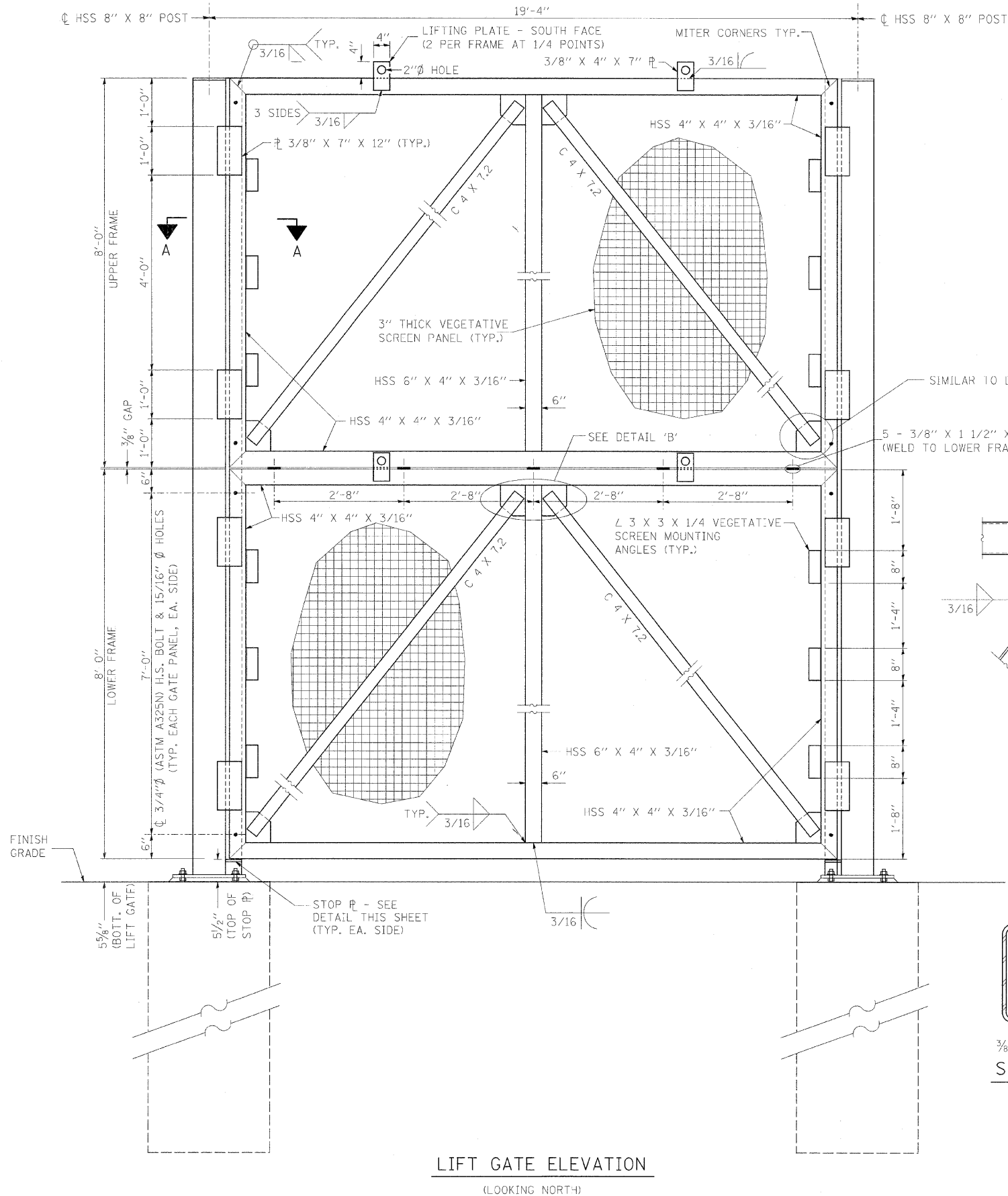
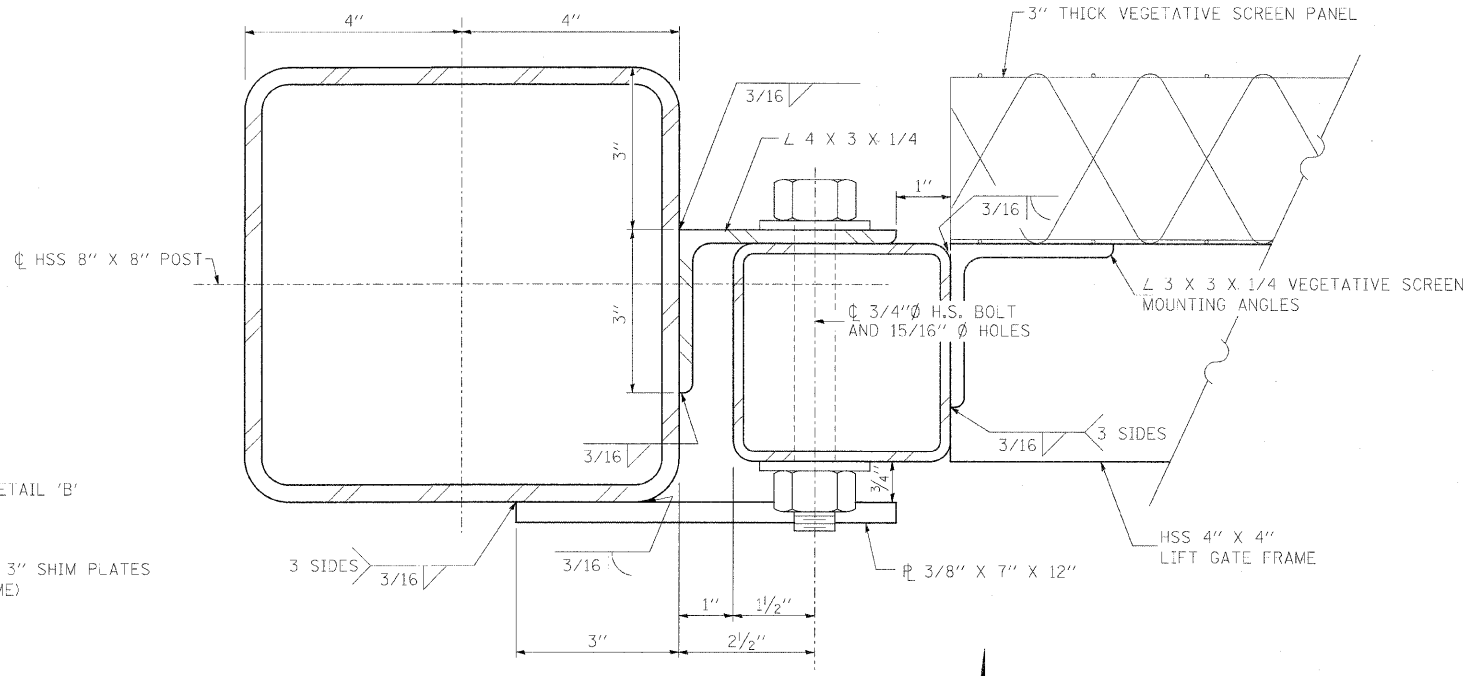


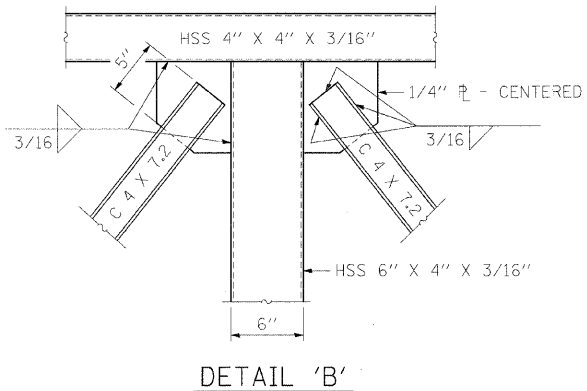
FAU RTE.	SECTION	COUNTY	TOTAL SHEETS	SHEET NO.
7982		SANGAMON	114	88
STA.	TO STA.			
FED. ROAD DIST. NO.	ILLINOIS	FED. AID PROJECT		
		05-00447-01-PV CITY OF SPRINGFIELD		



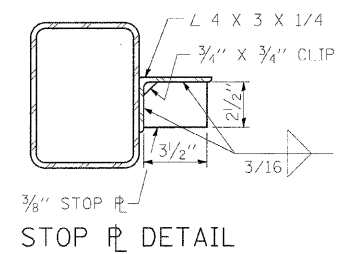
LIFT GATE ELEVATION  
(LOOKING NORTH)



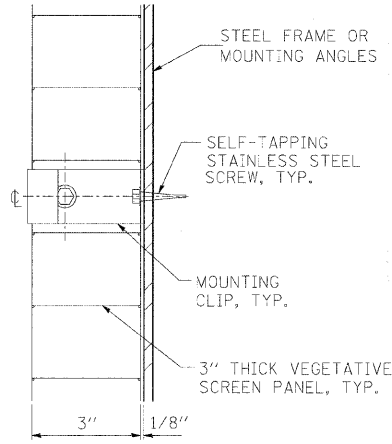
SECTION A-A



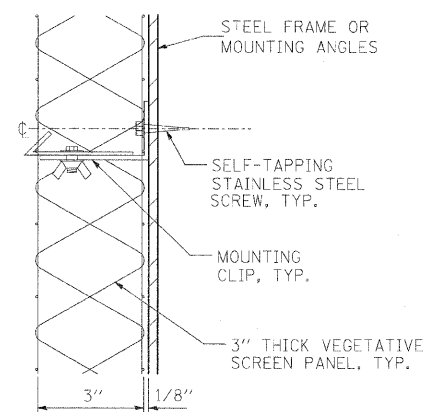
DETAIL 'B'



STOP P DETAIL



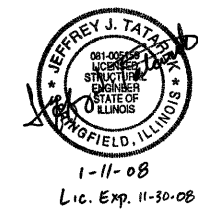
PLAN  
VEGETATIVE SCREEN MOUNTING CLIP



SECTION  
VEGETATIVE SCREEN MOUNTING CLIP



© Copyright Hanson Professional Services Inc. 2008  
 LAYOUT: JAB 11/27/07  
 DRAWN: DAB 11/27/07  
 REVIEWED: MAM 11/27/07  
 PLOT DATE = 01/10/2008 10:23 AM  
 FILE NAME = I:\02\p05\10220\01a\cadd\road\microstation\sheet\section\_11\_7th\_11th\_c-0998\_VEG\_SCREEN\_GATE\_DET.dgn  
 USER: JAB  
 USER NAME = Page08836



REVISIONS	
NAME	DATE

ILLINOIS DEPARTMENT OF TRANSPORTATION  
 VEGETATIVE SCREEN GATE DETAILS  
 FAU RTE 7982 CAPITOL AVE  
 SEC NO. 05-00447-01-PV  
 SANGAMON COUNTY, ILLINOIS  
 SCALE: VERT.      DRAWN BY      DAB  
                       HORIZ.                                      CHECKED BY      MAM  
 DATE 09/19/07