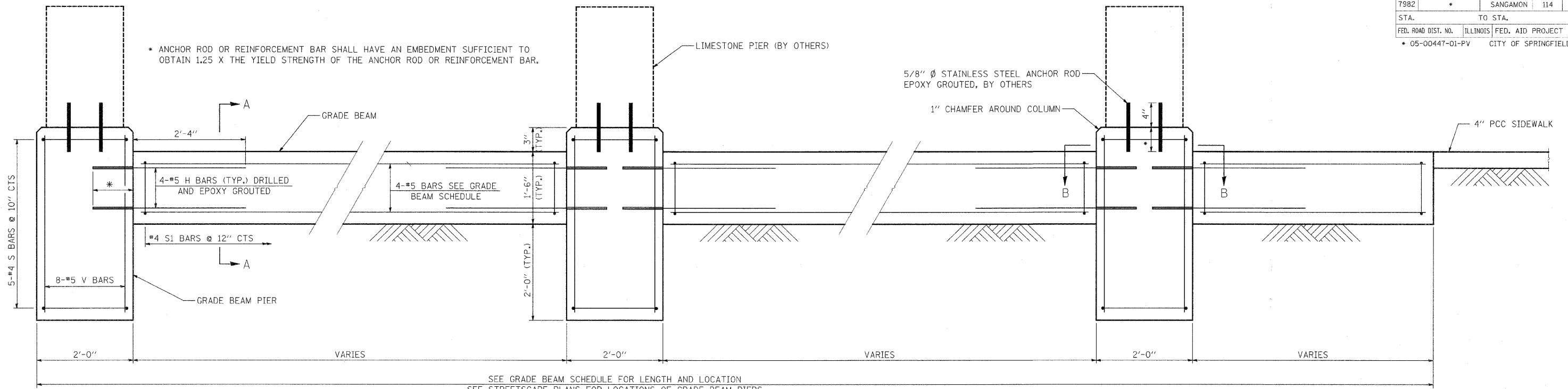


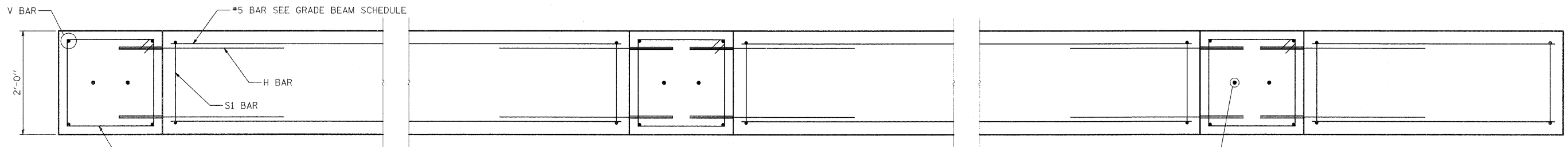
F.A.U. RTE.	SECTION	COUNTY	TOTAL SHEETS	SHEET NO.
7982	*	SANGAMON	114	92
STA.		TO STA.		
FED. ROAD DIST. NO.	ILLINOIS	FED. AID PROJECT		
* 05-00447-01-PV		CITY OF SPRINGFIELD		

* ANCHOR ROD OR REINFORCEMENT BAR SHALL HAVE AN EMBEDMENT SUFFICIENT TO OBTAIN 1.25 X THE YIELD STRENGTH OF THE ANCHOR ROD OR REINFORCEMENT BAR.

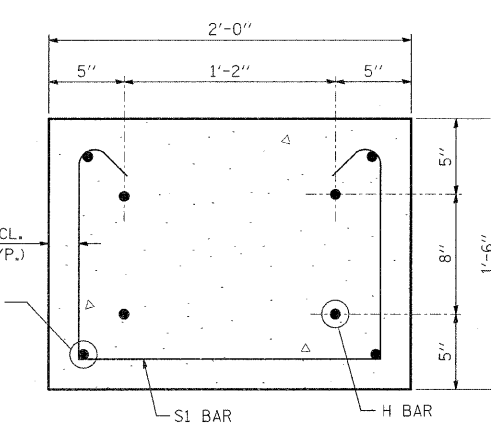
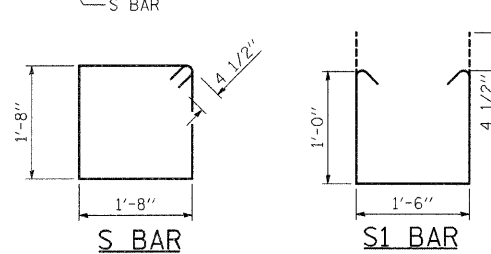


SEE GRADE BEAM SCHEDULE FOR LENGTH AND LOCATION
SEE STREETScape PLANS FOR LOCATIONS OF GRADE BEAM PIERS

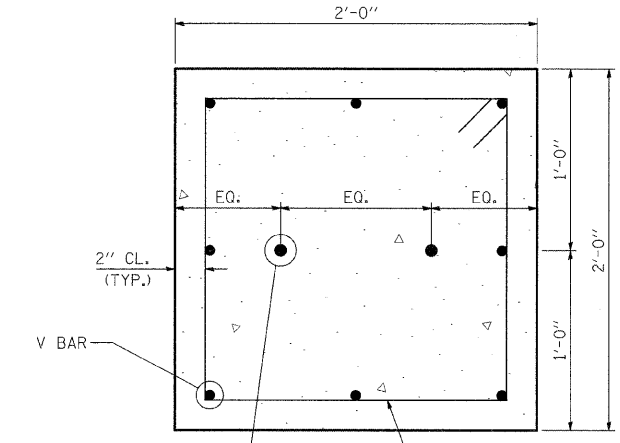
ELEVATION



PLAN



GRADE BEAM SECTION A-A



GRADE BEAM PIER SECTION B-B
EQ. = EQUAL SPACING

GRADE BEAM SCHEDULE

OFFSET	FROM STA.	TO STA.	LENGTH	#5 H BARS 3'-2" LONG	#5 BAR (4 EACH) 4'-3" LONG	#4 S1 BARS 4'-3" LONG	REINF. BARS POUNDS	CONCRETE STRUCTURES CU. YD.	STRUCTURE EXCAVATION CU. YD.	
LT	58-90.65	59+00.65	10'-0"	4	9'-8"	11	85	1.1	3	
LT	59-02.65	59+22.65	20'-0"	8	19'-8"	21	168	2.2	7	
LT	59-24.65	59+44.65	20'-0"	8	19'-8"	21	168	2.2	7	
LT	59-46.65	59+66.65	20'-0"	8	19'-8"	21	168	2.2	7	
LT	59+68.65	59-78.65	10'-0"	4	9'-8"	11	85	1.1	3	
LT	63+45.43	63+60.43	15'-0"	4	14'-8"	16	120	1.7	5	
LT	63+62.43	64+07.43	45'-0"	8	44'-8"	46	343	5.0	15	
LT	64+09.43	64+29.43	20'-0"	8	19'-8"	21	168	2.2	7	
LT	64+58.43	64+73.43	15'-0"	4	14'-8"	16	120	1.7	5	
RT	60+05.58	60+30.58	25'-0"	4	24'-8"	26	190	2.8	8	
RT	60+48.41	60+63.41	15'-0"	4	14'-8"	16	120	1.7	5	
RT	60+65.41	60+85.41	20'-0"	4	19'-8"	21	155	2.2	57	
RT	60+87.41	61+07.41	20'-0"	8	19'-8"	21	168	2.2	7	
RT	61+09.41	61+29.41	20'-0"	8	19'-8"	21	168	2.2	7	
RT	61+31.41	61+41.41	10'-0"	4	9'-8"	11	85	1.1	3	
RT	63+28.42	63+38.42	10'-0"	4	9'-8"	11	85	1.1	3	
RT	63+40.42	63+60.42	20'-0"	8	19'-8"	21	168	2.2	7	
RT	63+62.42	63+92.42	30'-0"	4	29'-8"	31	225	3.3	10	
TOTAL GRADE BEAM QUANTITIES								2790	38.3	115

5/8" Ø STAINLESS STEEL ANCHOR ROD EPOXY GROUTED, BY OTHERS

MIN. BAR LAPS
#5 BAR: 2'-2"

NOTES:
STAINLESS STEEL ANCHOR RODS SHALL MEET THE REQUIREMENTS OF ASTM F593 (AISI 304/316). COST OF STAINLESS STEEL ANCHOR ROD SHALL BE INCLUDED WITH THE ORNAMENTAL FENCE.
SEE GRADE BEAM SCHEDULE AND STREETScape PLANS FOR LOCATIONS OF ORNAMENTAL FENCE FOUNDATIONS.

BILL OF MATERIAL
ONE GRADE BEAM PIER

BAR	NO.	SIZE	LENGTH	SHAPE
S	5	#4	7'-5"	□
V	8	#5	3'-5"	—
Reinforcement Bars		Pounds	50	
Concrete Structures		Cu. Yd.	0.6	
Structure Excavation		Cu. Yd.	3	

REVISIONS	
NAME	DATE

ILLINOIS DEPARTMENT OF TRANSPORTATION
ORNAMENTAL FENCE
FOUNDATION
FAU RTE 7982 CAPITOL AVE
SEC NO. 05-00447-01-PV
SANGAMON COUNTY, ILLINOIS
SCALE: VERT. HORIZ. DATE 09/19/07
DRAWN BY DAB
CHECKED BY MNM



© Copyright Hanson Professional Services Inc. 2008
PLOT DATE = 01/18/2008 10:23 AM
FILE NAME = h:\2008\05-00447-01-PV\05-00447-01-PV-Foundation.dgn
DRAWN BY = MNM
CHECKED BY = MNM
USER NAME = Pcp08083