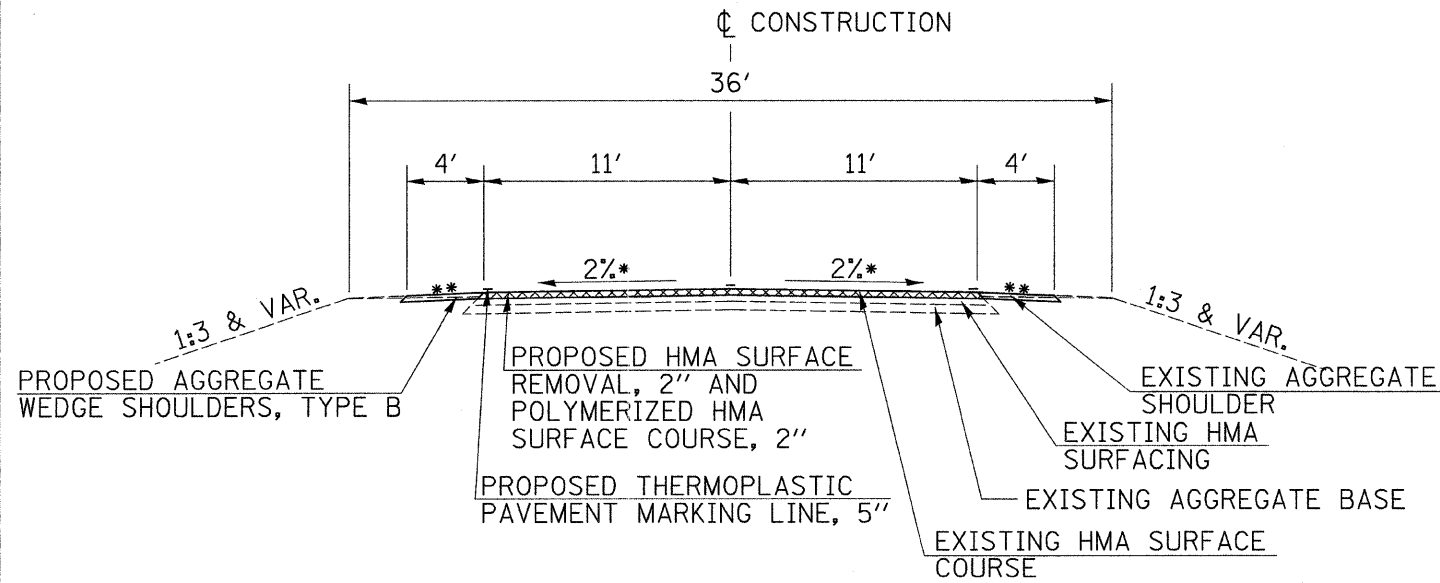
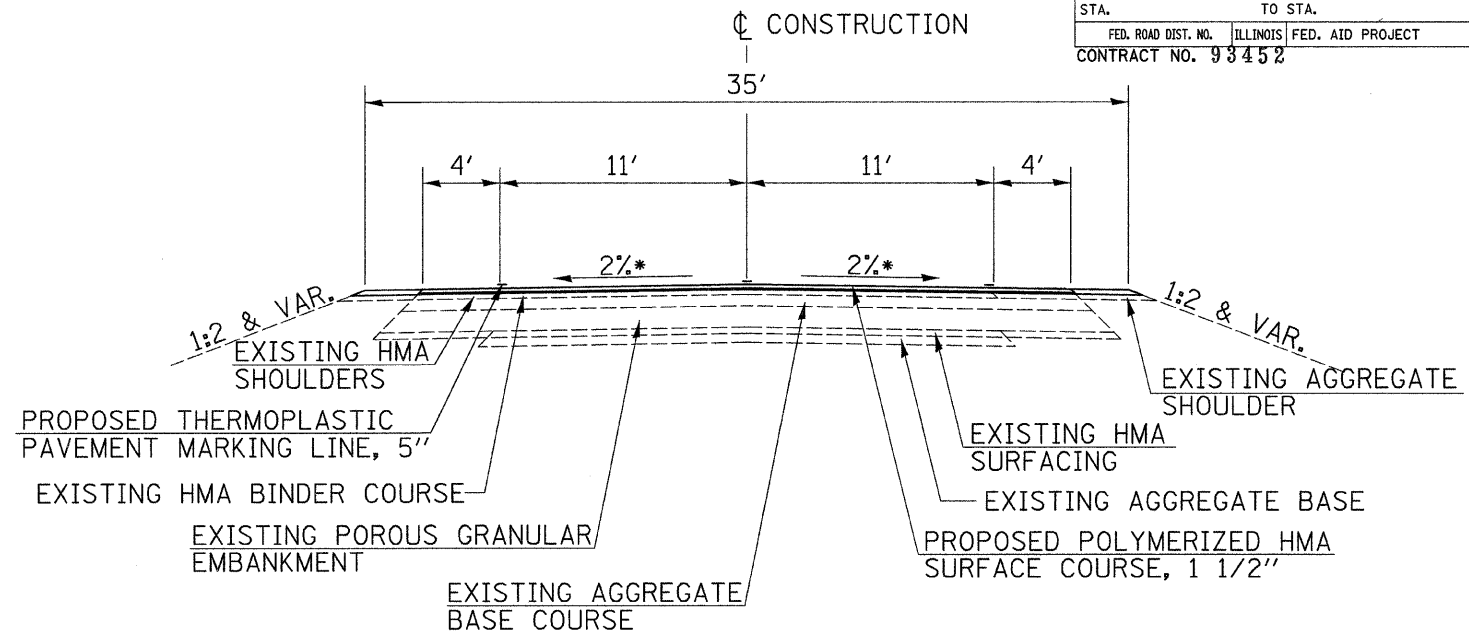


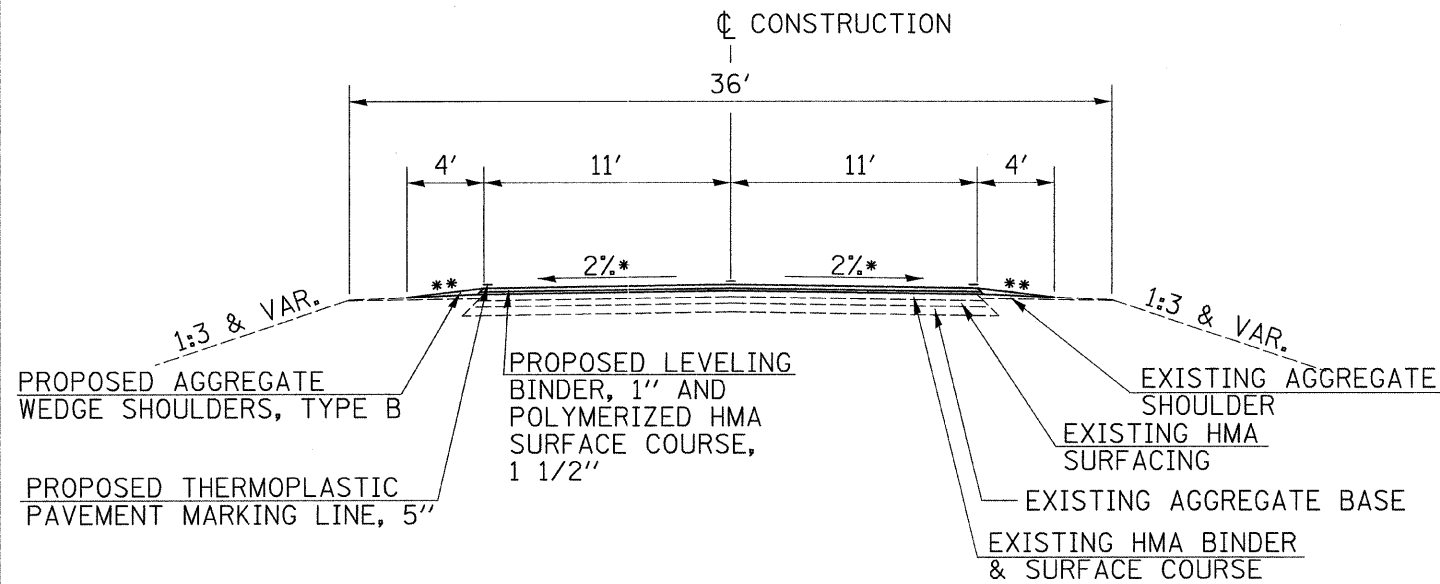
F.A.S. RTE.	SECTION	COUNTY	TOTAL SHEETS	SHEET NO.
583	06-00071-00-RS	SCHUYLER	21	3
STA.		TO STA.		
FED. ROAD DIST. NO.		ILLINOIS FED. AID PROJECT		
CONTRACT NO. 93452				



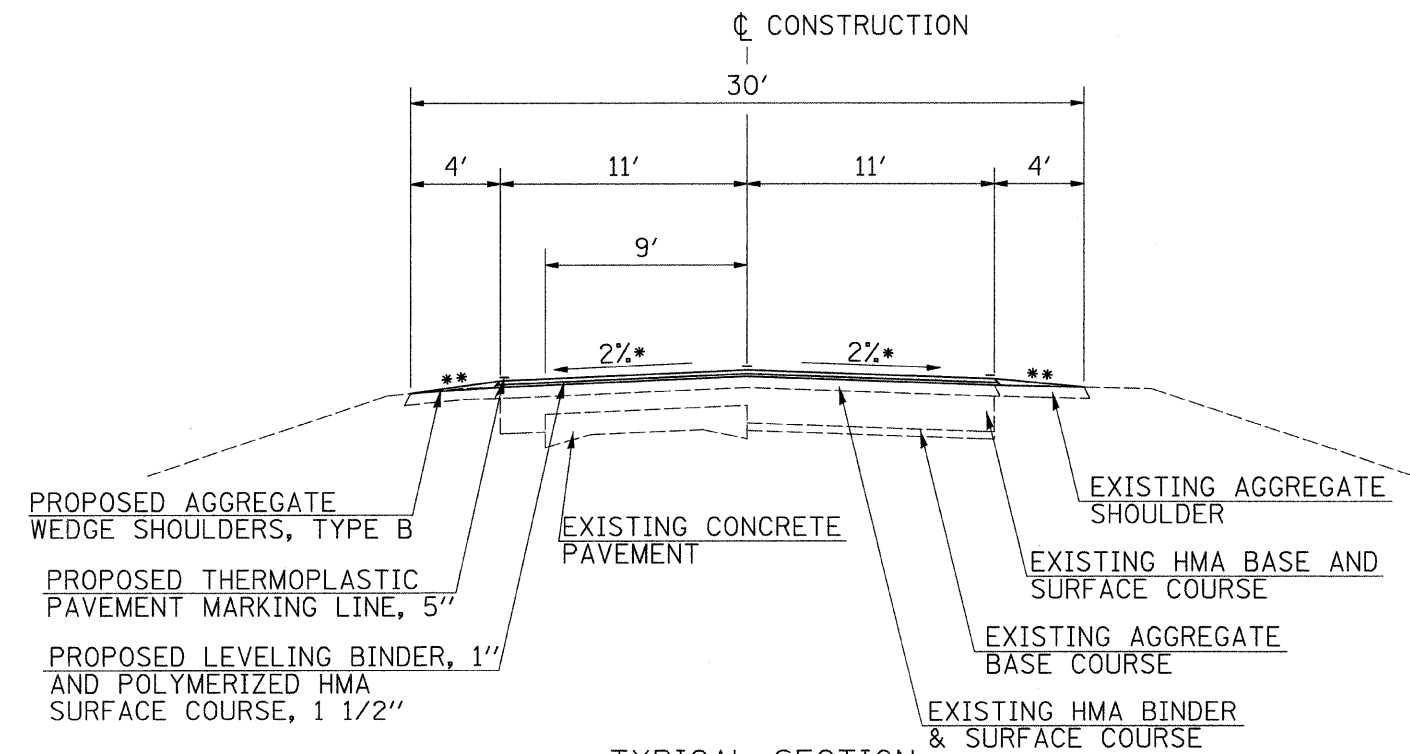
TYPICAL SECTION
STA 0+79.55 TO STA 13+00.00



TYPICAL SECTION
BRIDGE OMISSION STA 46+41.00 TO 48+80.00
STA 48+80.00 TO STA 52+68.00
BRIDGE OMISSION STA 52+68.00 TO 57+23.50
STA 57+23.50 TO STA 62+50.00



TYPICAL SECTION
STA 13+00.00 TO STA 166+00.00
STA EQN 166+00.00 BK = 4+44.94 AH
STA 4+44.94 TO STA 46+41.00
STA 62+50.00 TO STA 65+49.13
STA EQN 65+49.13 BK = 67+63.87 AH
STA 67+63.87 TO STA 113+28.71
STA EQN 113+28.71 BK = 113+36.58 AH
STA 113+36.58 TO STA 240+76.50
STA EQN 240+76.50 BK = 107+81.35 AH



TYPICAL SECTION
STA 107+81.35 TO STA 2+28.00
STA EQN 2+28.00 BK = 1144+80.00 AH

- * OR SUPERELEVATION RATE
- ** TYPICAL SHOULDER SLOPE IS 6% WITH MAXIMUM ROLLOVER FACTOR NOT TO EXCEED 12%

REVISIONS	
NAME	DATE

ILLINOIS DEPARTMENT OF TRANSPORTATION

PROPOSED
TYPICAL SECTIONS

DATE: JANUARY, 2008

DRAWN BY
CHECKED BY

PLOT DATE = 2/1/2008
 PLOT TIME = 10:55:45 AM
 PLOT SCALE = 1/8" = 1'-0"
 USER NAME = bborghman