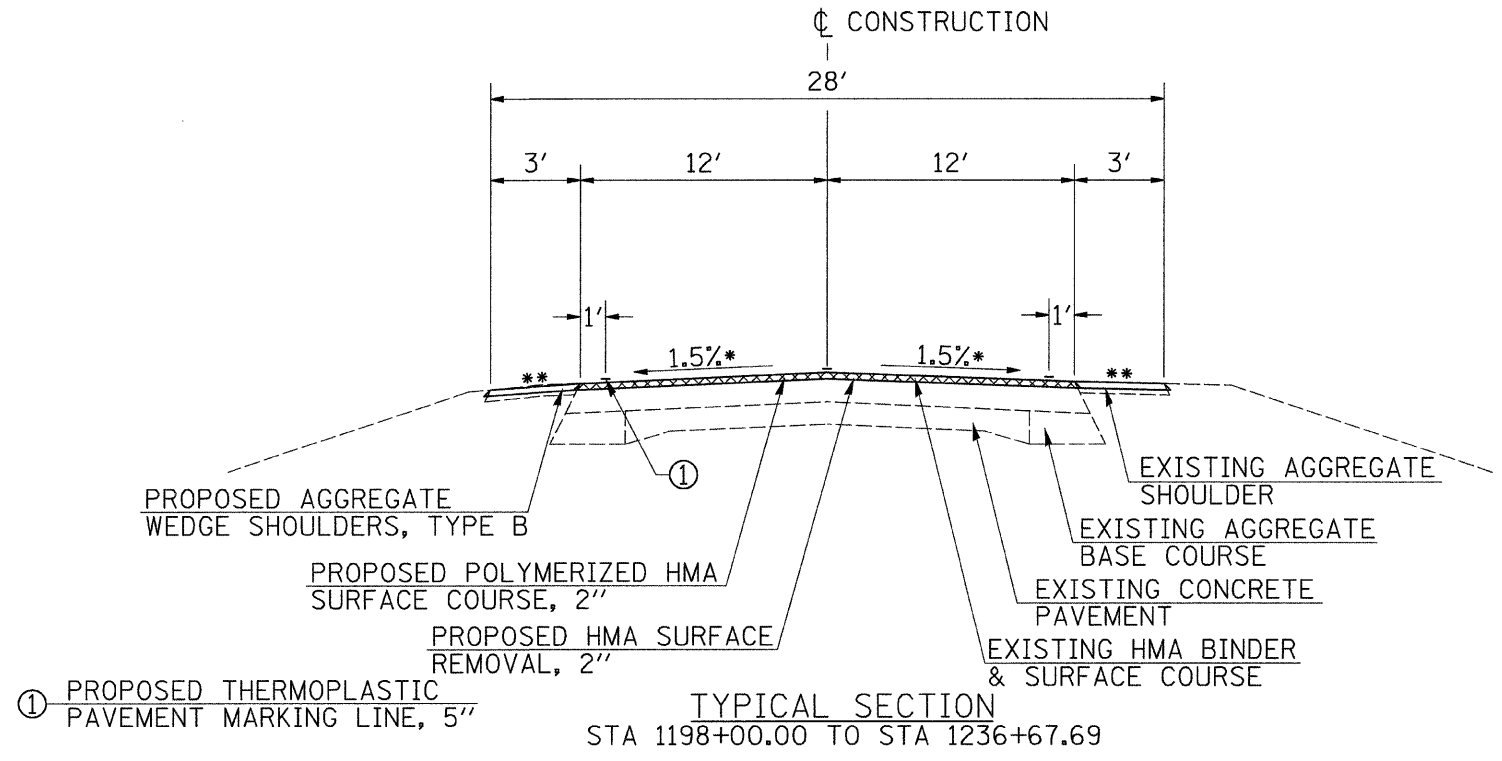
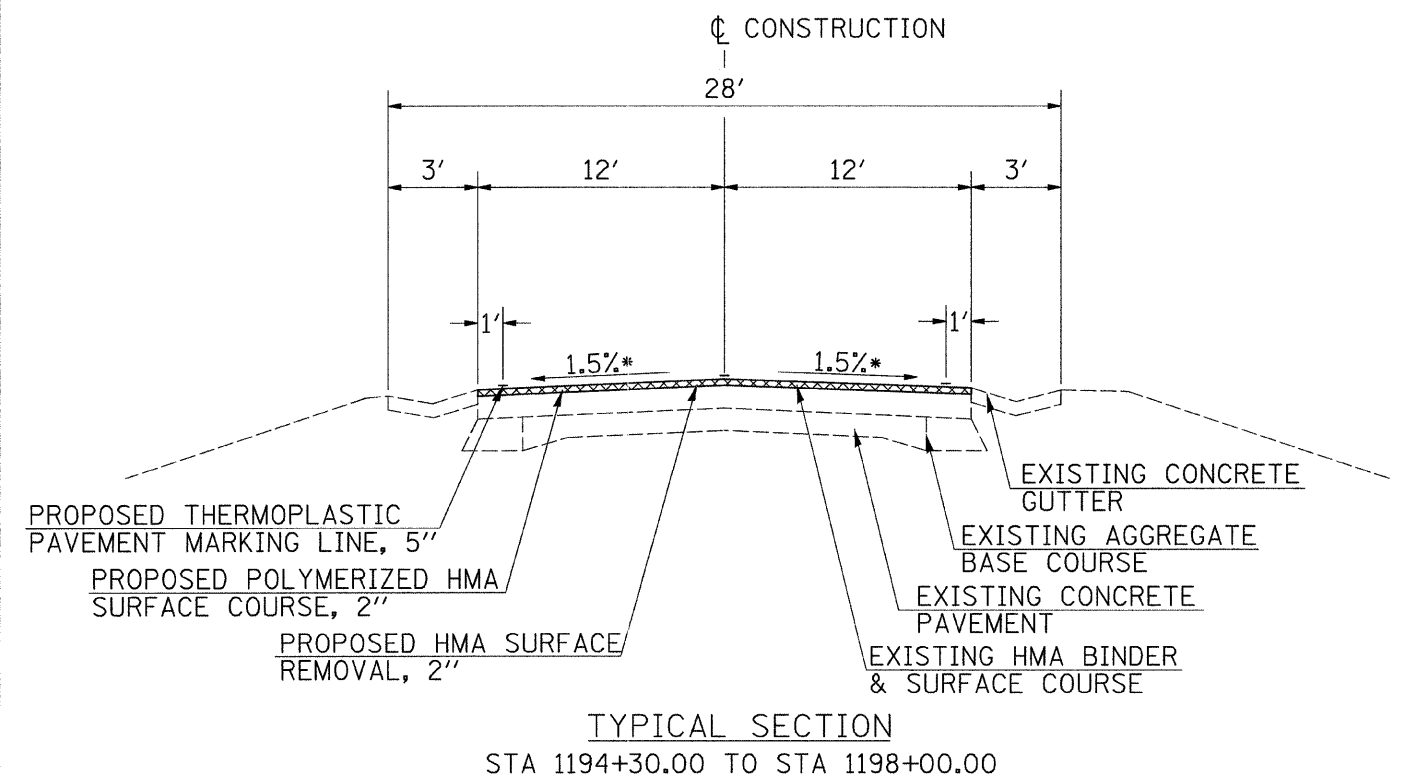
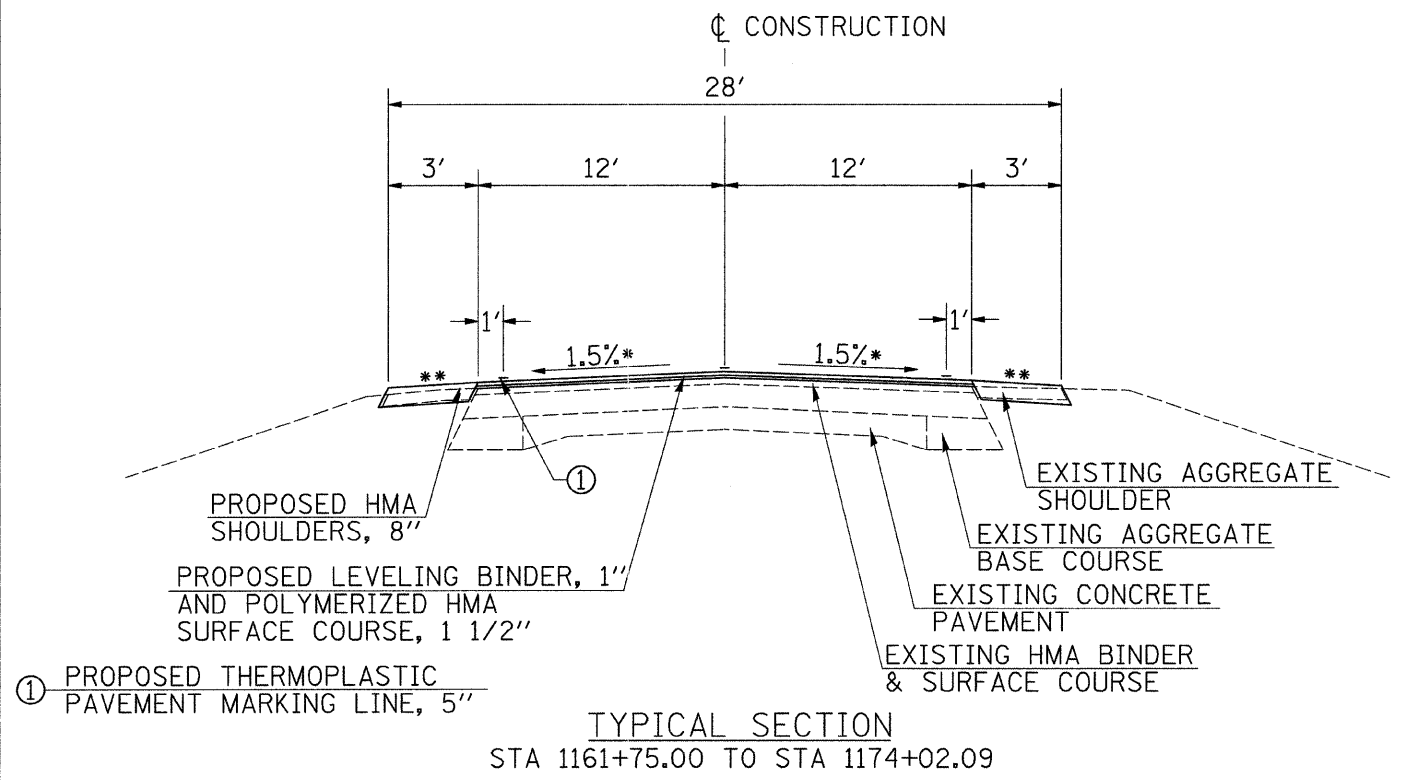


F.A.S. RTE.	SECTION	COUNTY	TOTAL SHEETS	SHEET NO.
753	06-00071-00-RS	SCHUYLER	21	5
STA.		TO STA.		
FED. ROAD DIST. NO.		ILLINOIS	FED. AID PROJECT	
CONTRACT NO. 93452				



* OR SUPERELEVATION RATE
 ** TYPICAL SHOULDER SLOPE IS 6% WITH MAXIMUM ROLLOVER FACTOR NOT TO EXCEED 12%

PLOT DATE = 2/1/2008
 PLOT SCALE = 1/8" = 1'-0"
 USER NAME = lbborgman

REVISIONS	
NAME	DATE

ILLINOIS DEPARTMENT OF TRANSPORTATION

PROPOSED TYPICAL SECTIONS

DRAWN BY
CHECKED BY

DATE: JANUARY, 2008