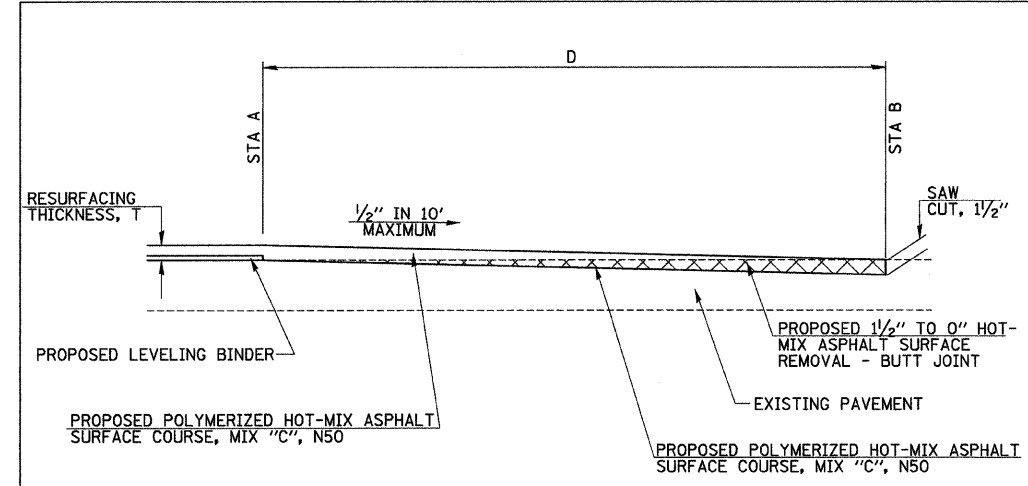


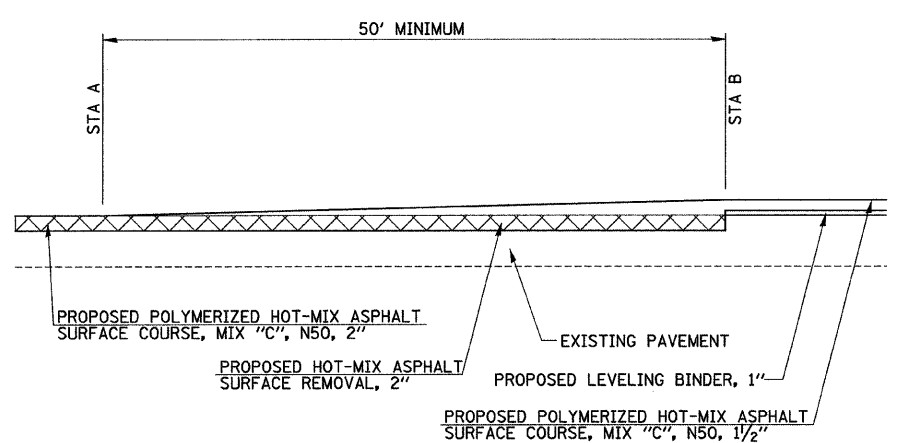
F.A.S. RTE.	SECTION	COUNTY	TOTAL SHEETS	SHEET NO.
583	06-00071-00-RS	SCHUYLER	21	21
FED. ROAD DIST. NO.	ILLINOIS	PROJECT NO.	SR-582(115)	

CONTRACT NO.

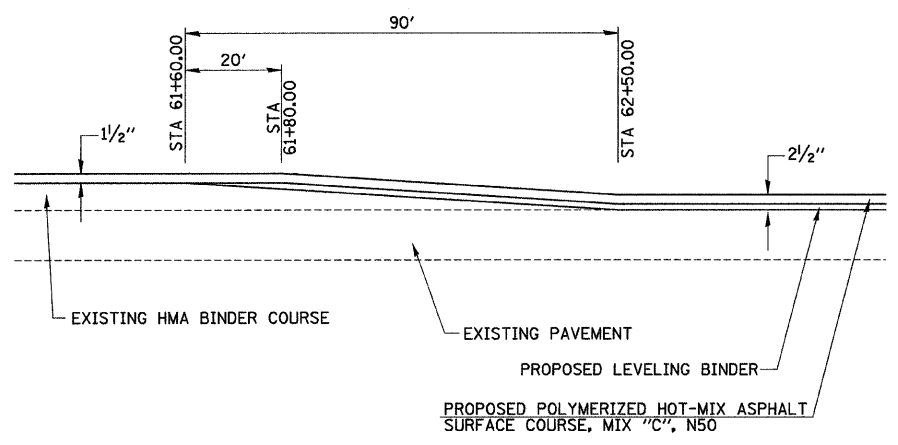


STA A	STA B	D	T
45+91.10	46+41.10	50	2 1/2"
48+80.00	49+10.00	30	1 1/2"
52+38.00	52+68.00	30	1 1/2"
57+23.50	57+53.50	30	1 1/2"
1149+39.00	1149+89.00	50	2 1/2"
1150+92.00	1150+42.00	50	2 1/2"

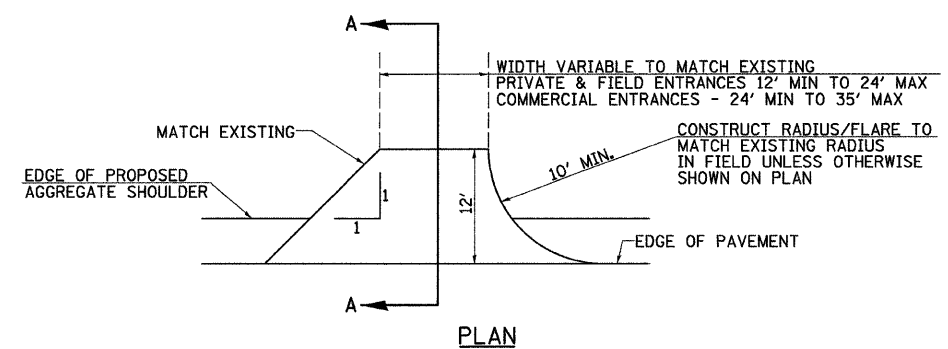
BUTT JOINT DETAIL



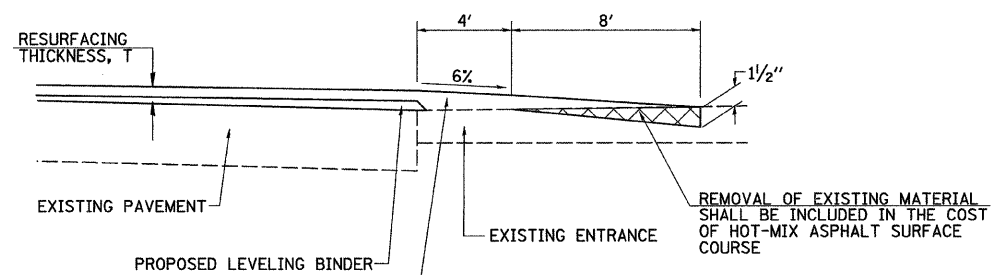
STA A	STA B
12+50.00	13+00.00
1194+70.00	1194+20.00



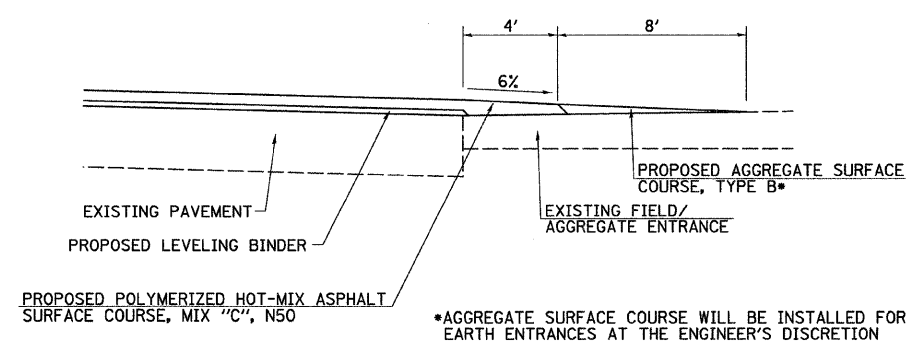
HMA TAPER DETAILS



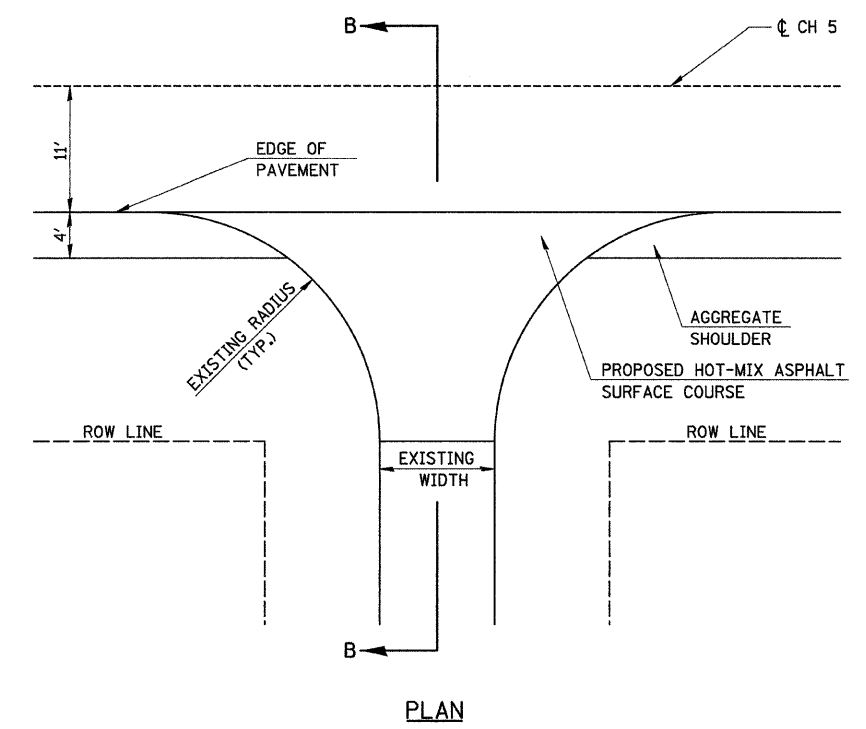
PLAN



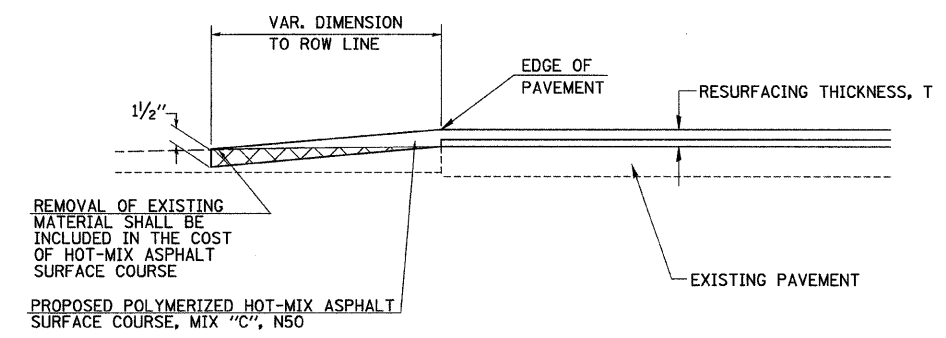
**SECTION A-A
HOT-MIX ASPHALT ENTRANCES**



**SECTION A-A
AGGREGATE/EARTH ENTRANCES
ENTRANCE TAPERS**



PLAN



**SECTION B-B
PROPOSED SIDEROAD TAPER**

SIDEROAD DETAIL

REVISIONS	
NAME	DATE

SPECIAL DETAILS

DATE JANUARY, 2008
DRAWN BY:
CHECKED BY: