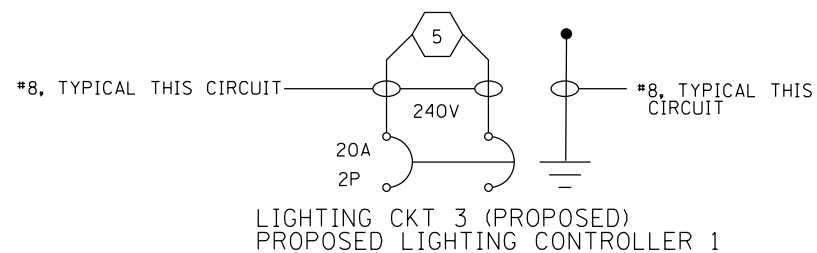
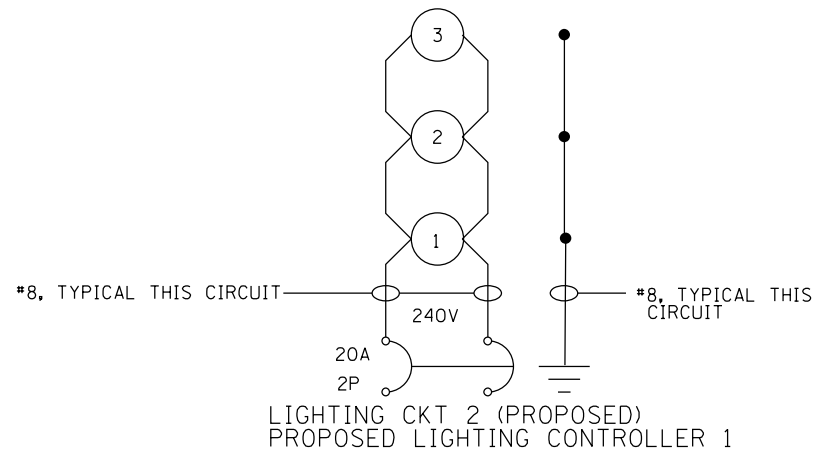
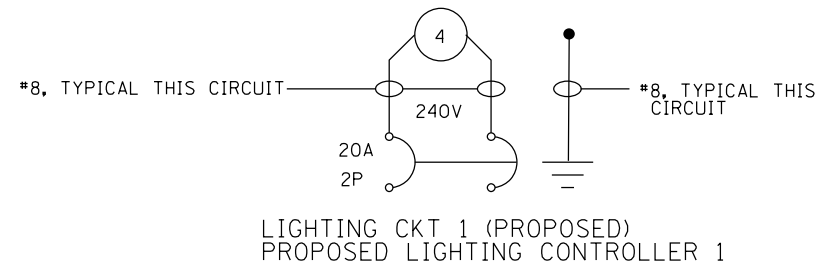
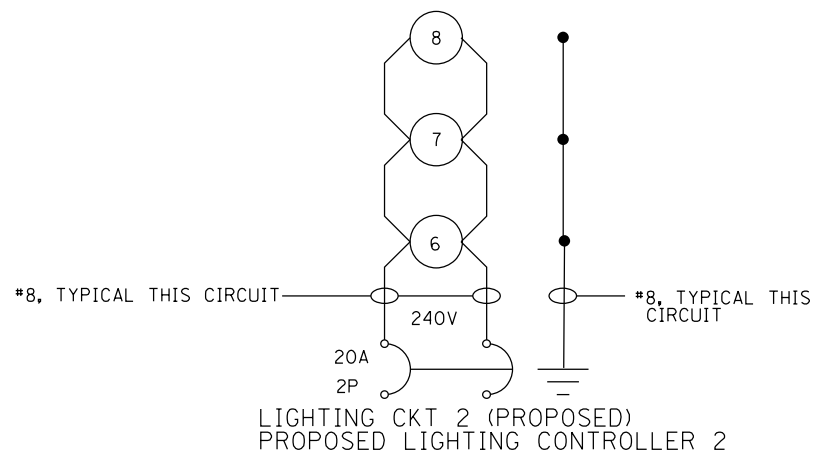
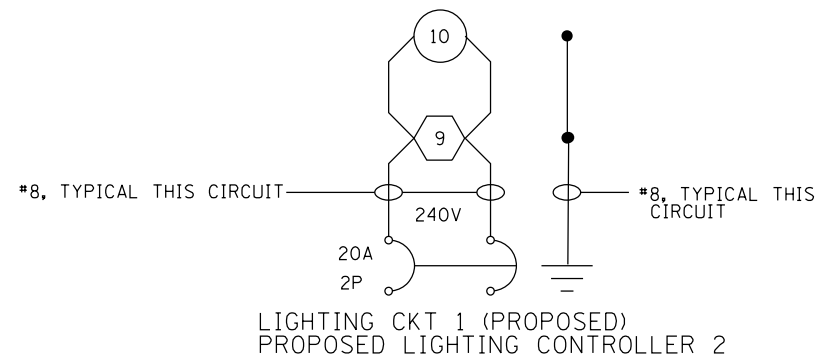


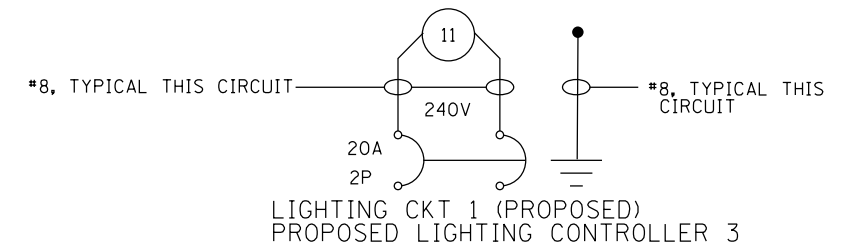
WIRING DIAGRAM
(PROPOSED CONTROLLER # 1)



WIRING DIAGRAM
(PROPOSED CONTROLLER # 2)



WIRING DIAGRAM
(PROPOSED CONTROLLER # 3)



NOTES:

1. ALL NECESSARY REVISIONS TO THE WIRING SHOWN ON THIS SHEET SHALL BE MADE AT NO ADDITIONAL COST TO THE DEPARTMENT AND TO THE SATISFACTION OF THE ENGINEER.

LEGEND

- 250W PROPOSED LUMINAIRE
- ⬡ 400W PROPOSED LUMINAIRE

FILE NAME =	USER NAME = sparksgw	DESIGNED -	REVISED -	STATE OF ILLINOIS DEPARTMENT OF TRANSPORTATION	WIRING DIAGRAM			F.A.U. RTE.	SECTION	COUNTY	TOTAL SHEETS	SHEET NO.	
c:\pw\work\p\idot\sparksgw\10374543\0652304-sht-1\lightingnotes.dgn		DRAWN -	REVISED -		SCALE:	SHEET 3	OF 11	SHEETS	STA.	TO STA.	ILLINOIS FED. AID PROJECT	679	408
Default	PLOT SCALE = 40.0000' / in.	CHECKED -	REVISED -									CONTRACT NO. 72890	
	PLOT DATE = Feb-04-2014 01:47:31PM	DATE -	REVISED -										