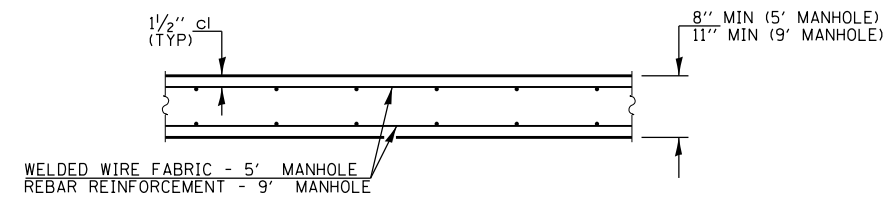


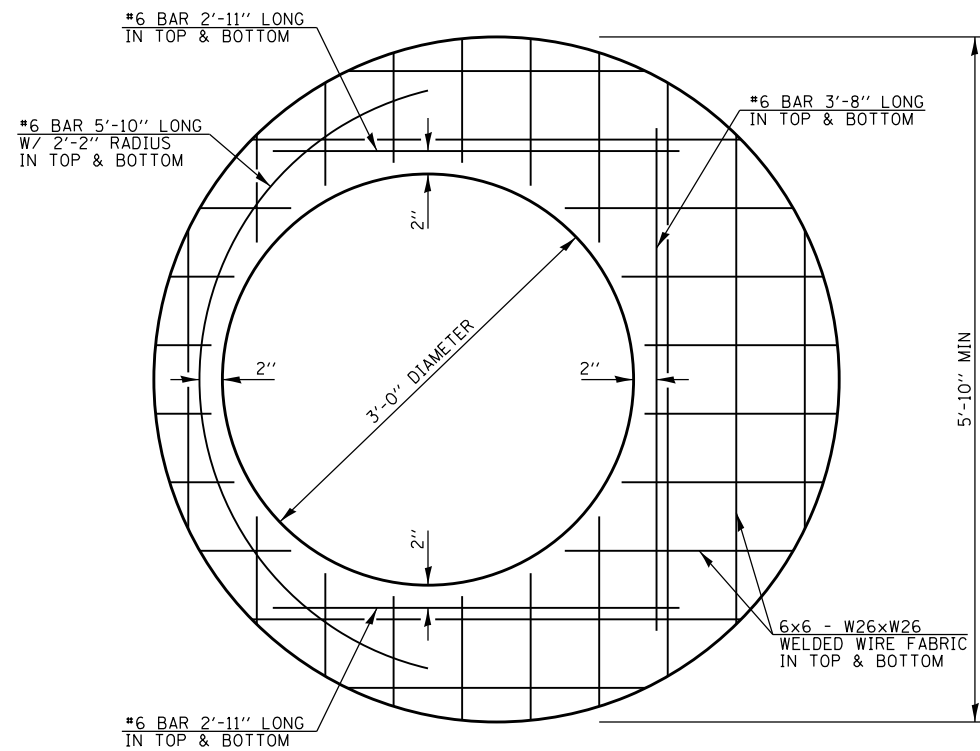
**ELEVATION**

DETAIL OF STANDARD 36" MEDIAN INLET OF FLAT SLAB TOP



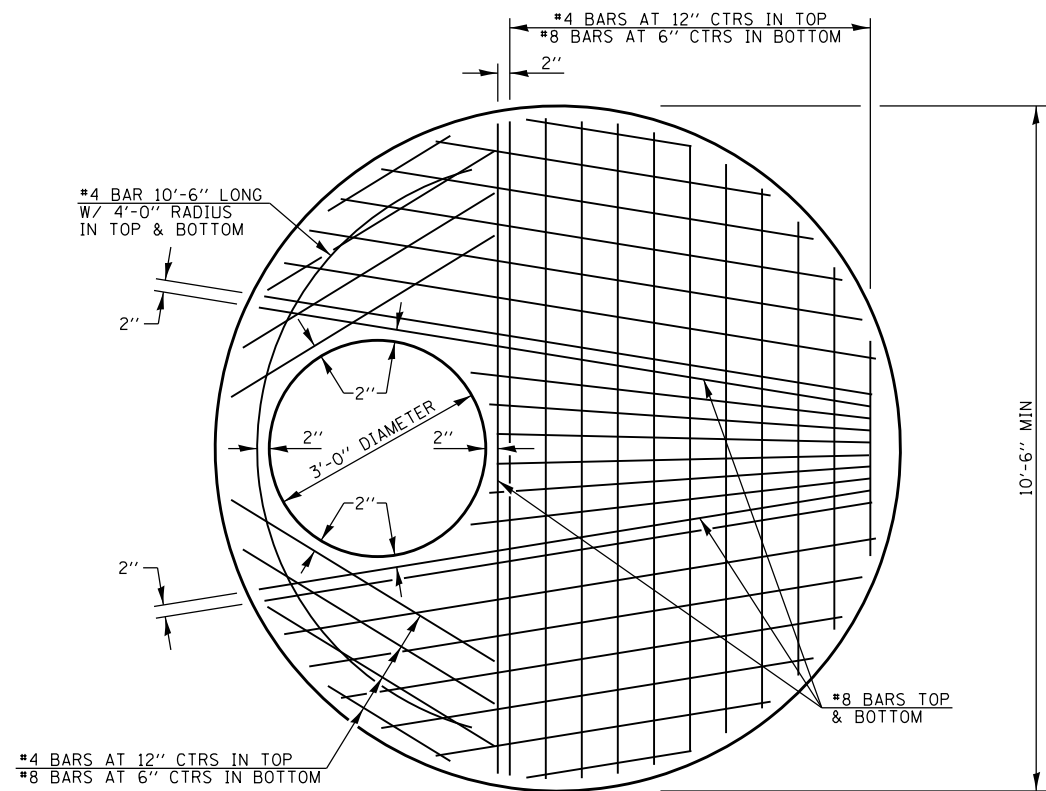
**SECTION VIEW**

TYPICAL FLAT SLAB TOP FOR 5' & 9' MANHOLES



**PLAN**

5' MANHOLE FLAT SLAB TOP DETAIL WITH 36" OPENING



**PLAN**

9' MANHOLE FLAT SLAB TOP DETAIL WITH 36" OPENING

FILE NAME =	USER NAME = sparksgw	DESIGNED - BMB	REVISED -
ct:\pw\work\p\idot\sparksgw\10373645\0678890-sht-details-flat_slab_top_special.dgn		DRAWN - TJD	REVISED -
Default	PLOT SCALE = 2.0000' / in.	CHECKED - AWM	REVISED -
	PLOT DATE = Feb-04-2014 01:48:14PM	DATE - 12/04/2013	REVISED -

**STATE OF ILLINOIS  
DEPARTMENT OF TRANSPORTATION**

**SPECIAL FLAT SLAB TOP DETAIL**

SCALE: N/A SHEET 1 OF 1 SHEETS STA. TO STA.

F.A.U. RTE.	SECTION	COUNTY	TOTAL SHEETS	SHEET NO.
8012	21(W-3, TS-1, RS-7)	SANGAMON	679	432
CONTRACT NO. 72890			ILLINOIS FED. AID PROJECT	