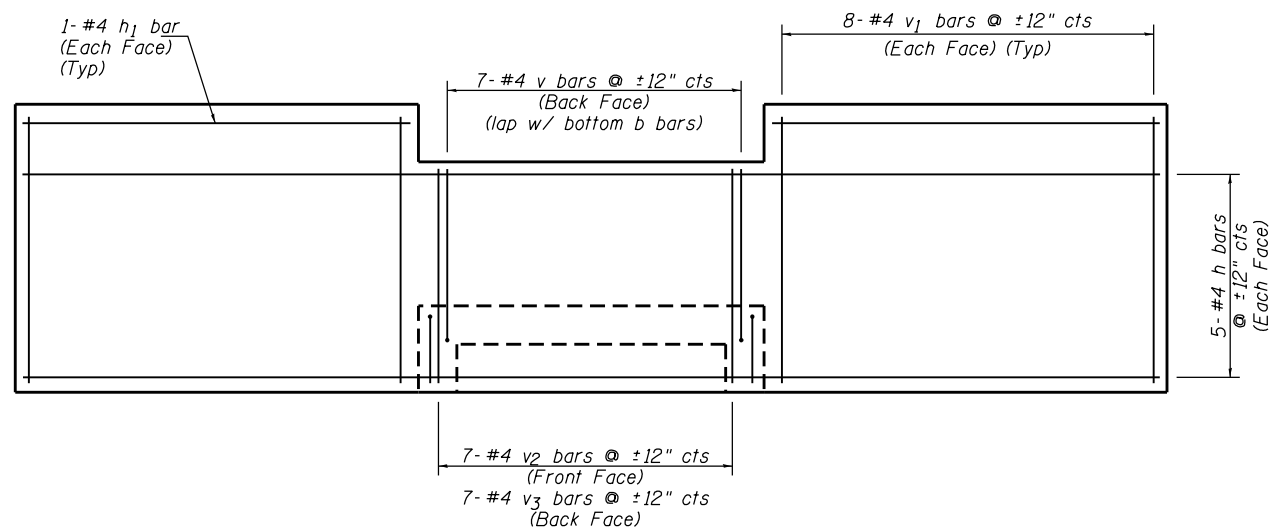


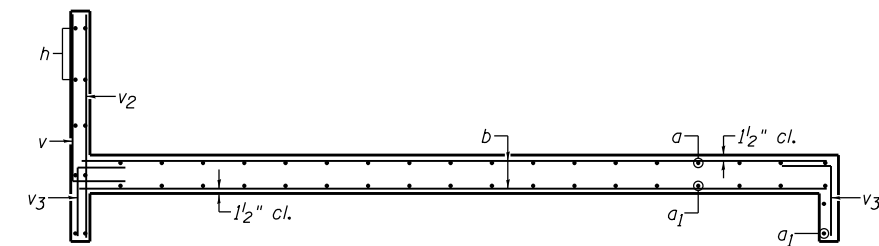
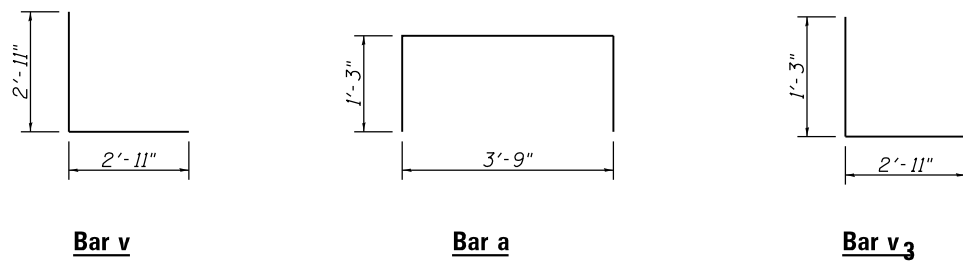
**PLAN**

Showing Rebar Reinforcement

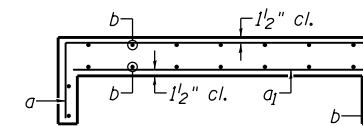


**ELEVATION**

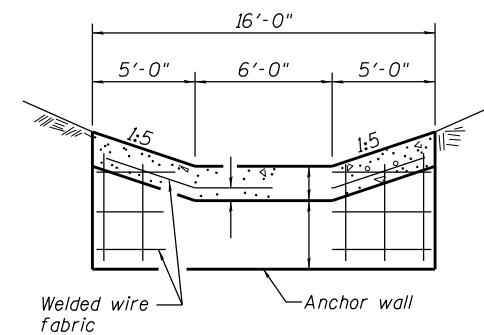
Showing Rebar Reinforcement



**SECTION D-D**

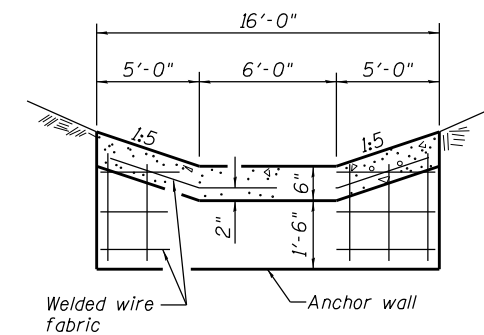


**SECTION E-E**



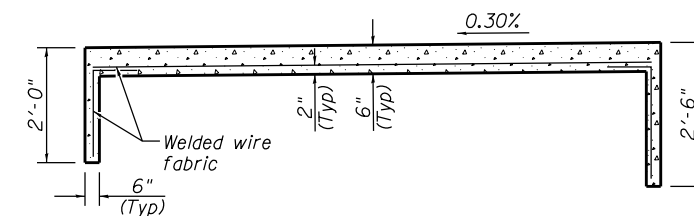
**ELEVATION**

At Upstream End



**ELEVATION**

At Downstream End



**LONGITUDINAL SECTION**

**PAVED DITCH (SPECIAL)**

Showing Welded Wire Fabric Reinforcement

FILE NAME =	USER NAME = sparksgw	DESIGNED - BMB	REVISED -
c:\pwwork\pwwork\sparksgw\0373645\0678890-sht-details-weir.dgn		DRAWN - TJD	REVISED -
Default	PLOT SCALE = 2.0000' / in.	CHECKED - AWM	REVISED -
	PLOT DATE = Feb-04-2014 01:48:20PM	DATE - 12/04/2013	REVISED -

STATE OF ILLINOIS  
DEPARTMENT OF TRANSPORTATION

KERASOTES RETENTION BASIN  
SOUTH OUTLET WEIR DETAIL

SCALE: N/A      SHEET 2 OF 2 SHEETS      STA.      TO STA.

F.A.U. RTE.	SECTION	COUNTY	TOTAL SHEETS	SHEET NO.
8012	21(W-3, TS-1, RS-7)	SANGAMON	679	435
			CONTRACT NO. 72890	
ILLINOIS FED. AID PROJECT				