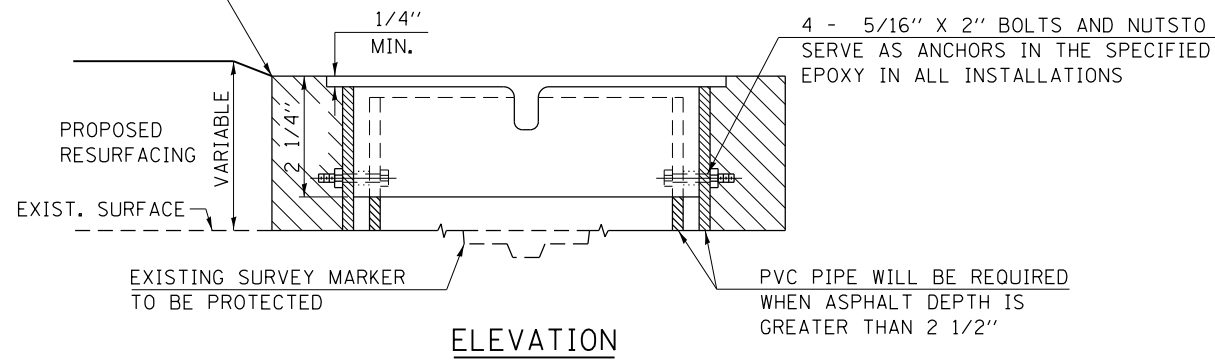
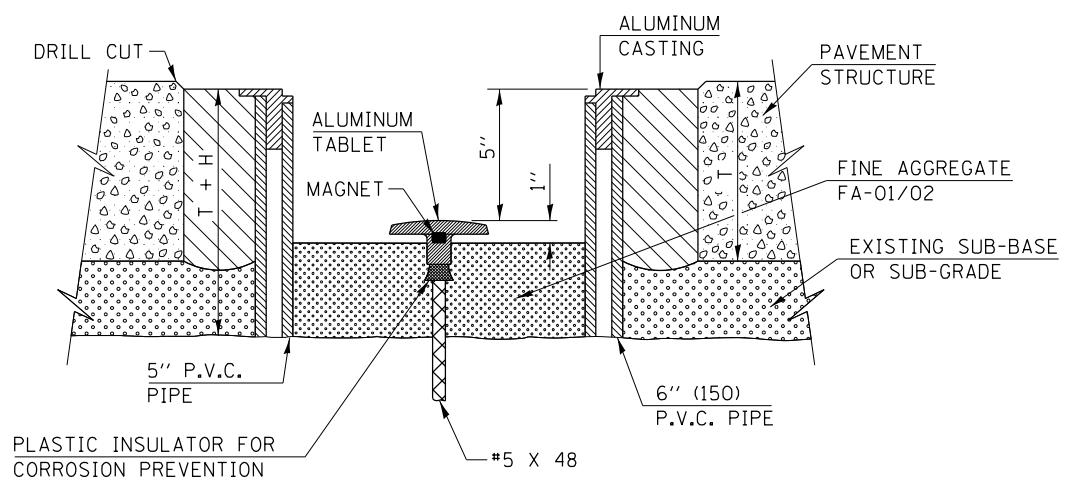
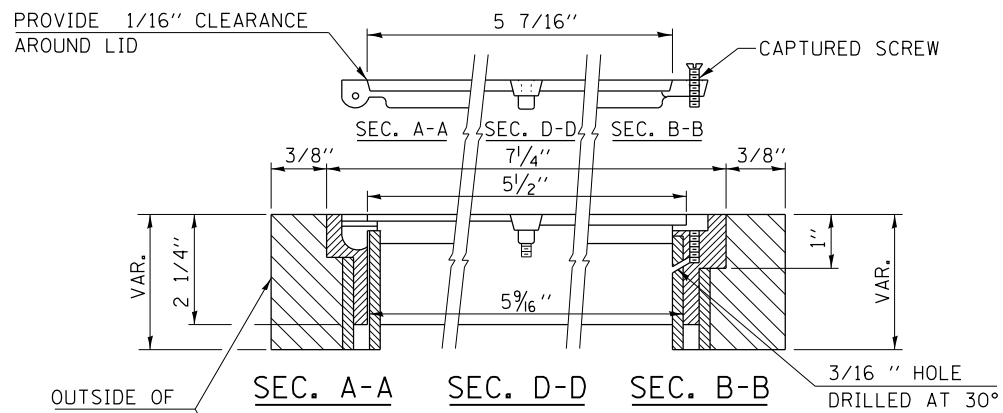
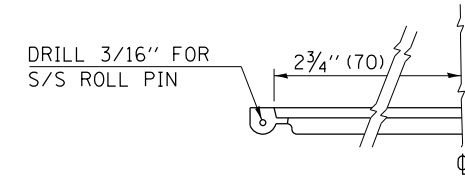
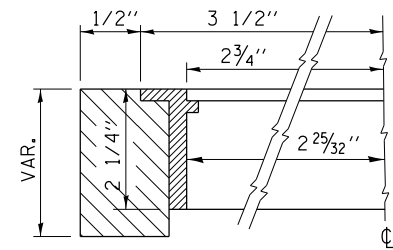


- LEGEND**
- ALUMINUM CASTING
 - 5" OR 6" P.V.C. PIPE
 - TWO-COMPONENT EPOXY
- T = THICKNESS OF PAVEMENT STRUCTURE
- H = THE THICKNESS OF THE SUB-BASE GRANULAR + 1"

BILL OF MATERIAL

ALUMINUM CASTING OF THE DIMENSIONS AND SPECIFICATIONS SHOWN OR OTHER SUBJECT TO ENGINEER'S APPROVAL OF SHOP DRAWINGS, 4 EACH - 5/16" X 2" BOLTS WITH NUTS, EPOXY, 5" OR 6" DIAMETER P.V.C. PIPE, SCHEDULE 40 (WHEN REQUIRED).



EXISTING SURVEY MARKER

PROPOSED SURVEY MARKER

FILE NAME =	USER NAME = sparksgw	DESIGNED - JMO	REVISED -
et:\pw\work\p\idot\sparksgw\0373645\0672890-sht-details-survey-marker-vault.dgn		DRAWN - JCW	REVISED -
		CHECKED - AWM	REVISED -
		DATE - 12/04/2013	REVISED -

**STATE OF ILLINOIS
DEPARTMENT OF TRANSPORTATION**

**SPECIAL DETAILS
SURVEY MARKER VAULT**

SCALE: N/A SHEET NO. 1 OF 1 SHEETS STA. TO STA.

F.A.U. R.T.E.	SECTION	COUNTY	TOTAL SHEETS	SHEET NO.
8012	21(W-3, TS-1, RS-7)	SANGAMON	679	447
CONTRACT NO. 72890				
FED. ROAD DIST. NO. ILLINOIS FED. AID PROJECT				